

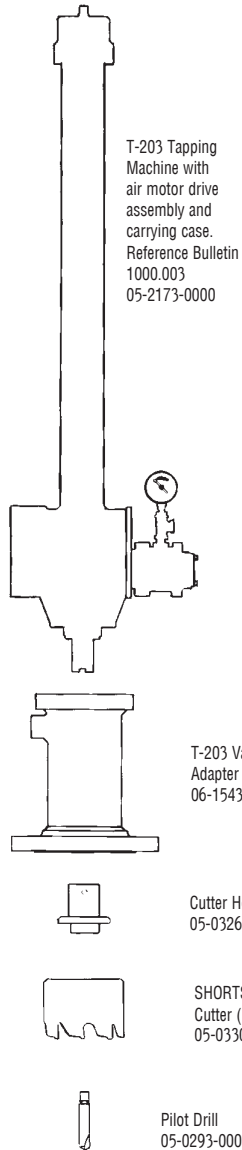
Tapping and ProStopp® DS

Equipment Needed to Plug a 6" Gas Main to 300 psi



Technical Datasheet
Date: June 2022

Tapping



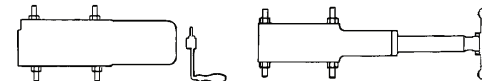
Plugging

Jackscrew Actuator Kit
Reference Bulletin 2020.003
12363575 - Travel 39-inches (997mm)
12363597 - Travel 55-inches (1397mm)
12363595 - Travel 75-inches (1905mm)

Housing
12354246 150# Flange
12355805 300# Flange

Plugging Head
12353369

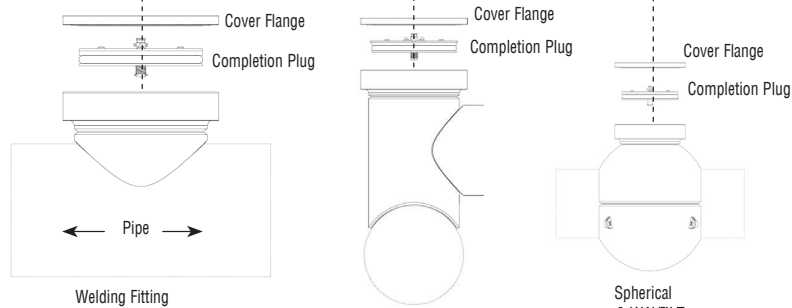
SHORTCUTT® Valve
285 psi
09-0041-0000



Valve-to-Fitting Adapter
06-5724-0002

Optional

SHORTSTOPP® Valve
285 psi
Aluminum Body
09-0697-0000



6" fitting (includes cover flanges with bolts, gaskets and plastic cap plugs, completion plug and O-ring)

6" 3-WAY™ Tee (includes cover flange with bolts, gasket and plastic cap plugs, completion plug and O-ring)

Spherical 3-WAY™ Tee complete includes: cap or cover flange with gasket, cap screws and plastic cap plugs, completion plug and tee.

Seal Kit* 12366725
Hydraulic Pump Kit ** 12363568
Air Motor Kit *** 12362756

*Seal kit contains two sealing elements and a chip sweep
** Required
*** Recommended

Optional

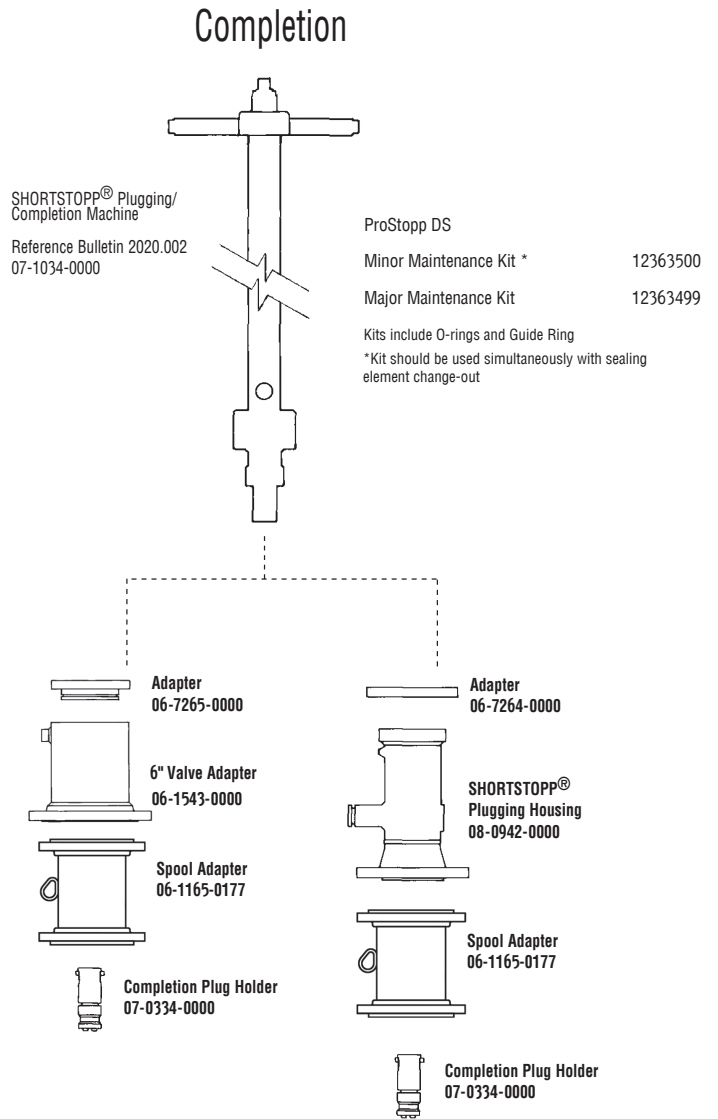
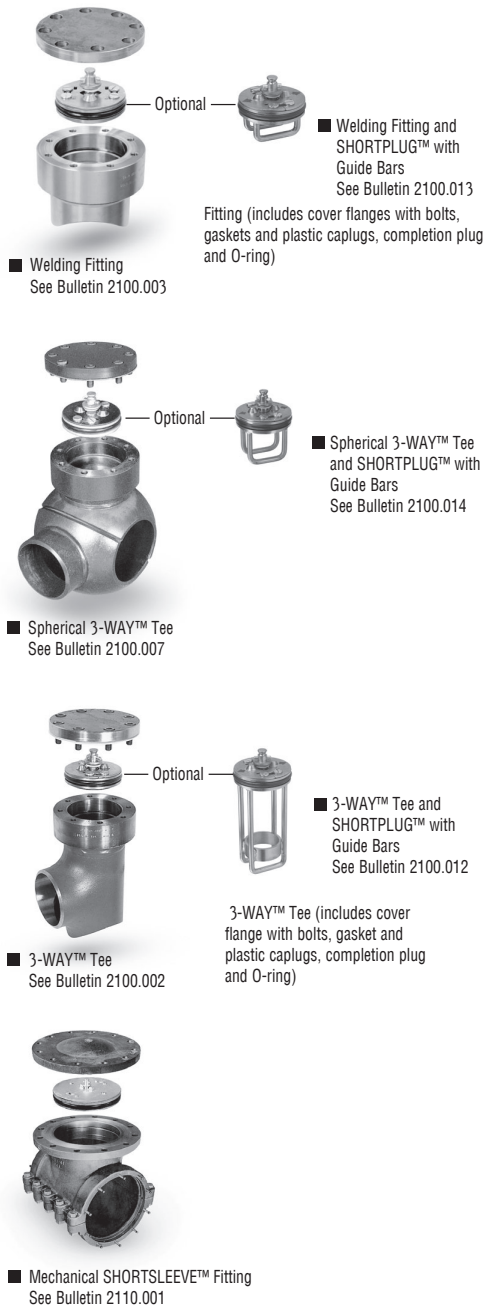
Extra Hose Kit 12378186
Transport Bracket Kit, 6in 12382856
Test Rings * 12369159

*Qty 2 needed. Test rings are included with purchase of plugging head.



ProStopp DS

6" Gas Main to 300 psi



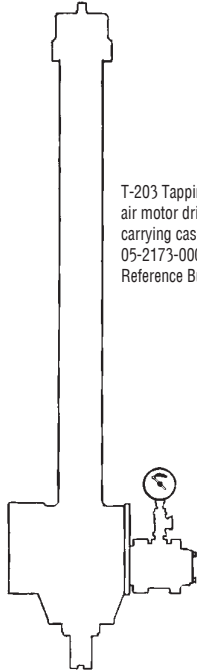
Note: Consult your TDW representative for additional fitting options.



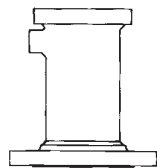
Tapping and ProStopp® DS

Equipment Needed to Plug an 8" Gas Main to 300 psi

Tapping



T-203 Tapping Machine with air motor drive assembly and carrying case. Stock No. 05-2173-0000 Reference Bulletin 1000.003



8" Valve Adapter
06-1544-0000



Cutter Holder
05-0326-0000

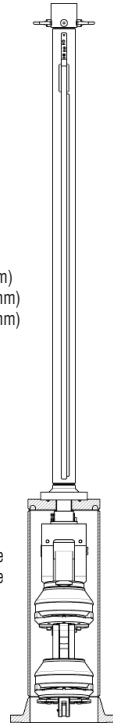


8" SHORTSTOPP®
Cutter (nominal)
05-0330-0008



Pilot Drill
05-0293-0003

Plugging



Housing
12355404 150# Flange
12355951 300# Flange

Plugging Head
12355257

Seal Kit* 12366726
Hydraulic Pump Kit ** 12363568
Air Motor Kit *** 12362756

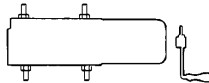
* Seal kit contains two sealing elements and a chip sweep
** Required
*** Recommended

Jackscrew Actuator
Reference Bulletin
2020.003
12363575 - Travel 39-inches (997mm)
12363597 - Travel 55-inches (1397mm)
12363595 - Travel 75-inches (1905mm)

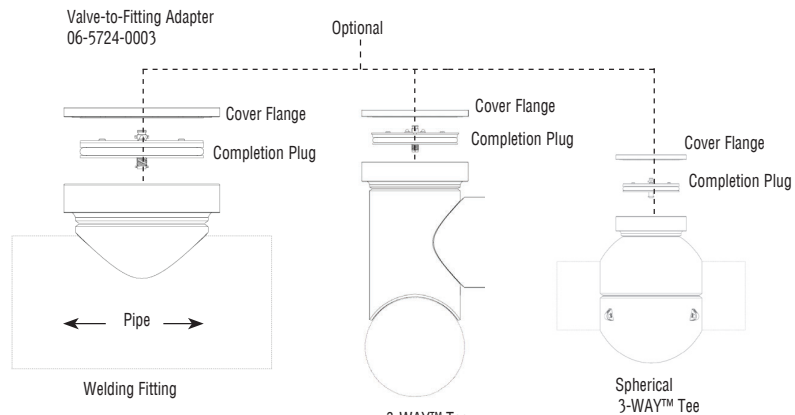
Optional

Extra Hose Kit 12378186
Transport Bracket Kit, 8in 12382857
Test Rings * 12369160

* Qty 2 needed. Test rings are included with purchase of plugging head.



SHORTCUTT® Valve
285 psi
09-0042-0000



8" fitting (includes cover flanges with bolts, gaskets and plastic cap plugs, completion plug and O-ring)

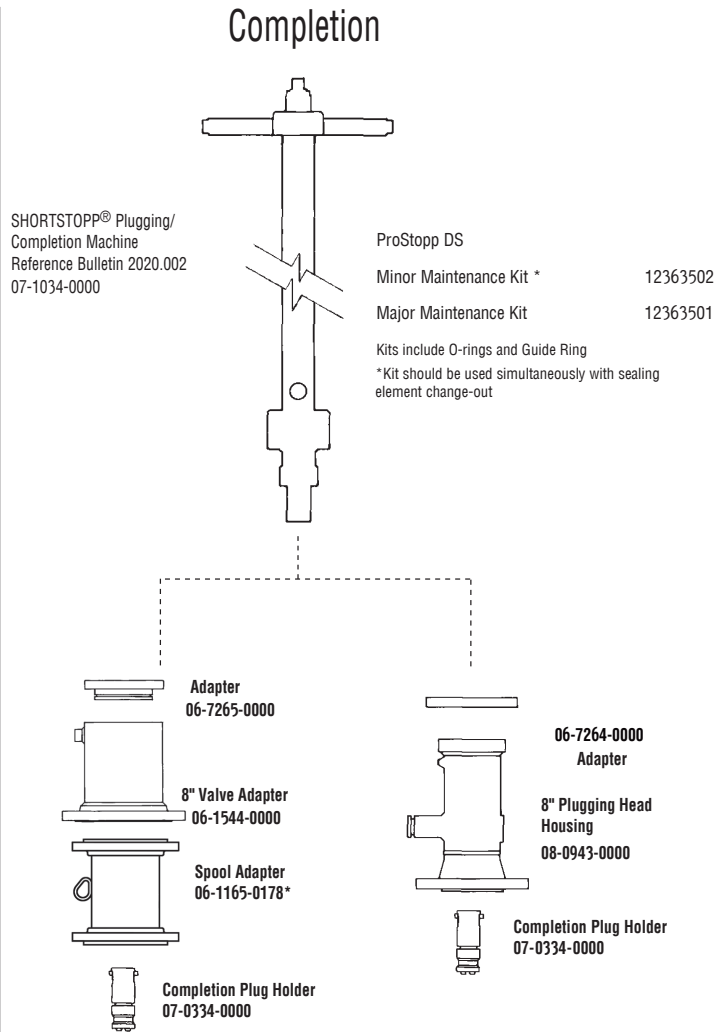
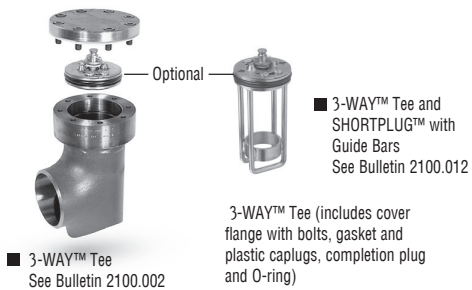
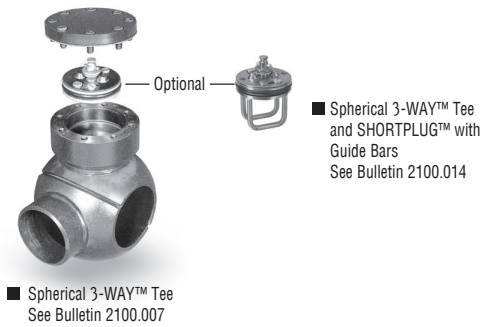
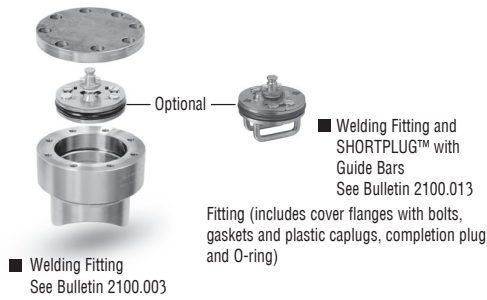
8" 3-WAY™ Tee (includes cover flange with bolts, gasket and plastic cap plugs, completion plug and O-ring)

Spherical 3-WAY™ Tee complete includes: cap or cover flange with gasket, cap screws and plastic cap plugs, completion plug and tee.



ProStopp DS

8" Gas Main to 300 psi



Note 1:* 8-inch Spool Adapter required to set 8-inch SHORTPLUG™ with Guide Bars in SHORTSTOPP Type II 3-Way™ Tee fittings using the 06-1544-0000 Adapter.

Note 2: Consult your TDW representative for additional fitting options.

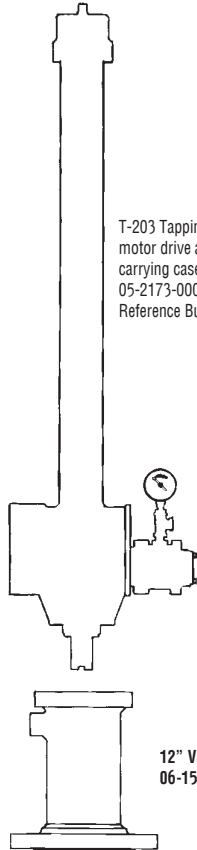


Tapping and ProStopp® DS

Equipment Needed to Plug a 10" Gas Main to 300 psi

*10" applications use 12" equipment

Tapping



T-203 Tapping Machine with air motor drive assembly and carrying case. Stock No. 05-2173-0000 Reference Bulletin 1000.003

12" Valve Adapter
06-1546-0000

Cutter Holder
05-0326-0000

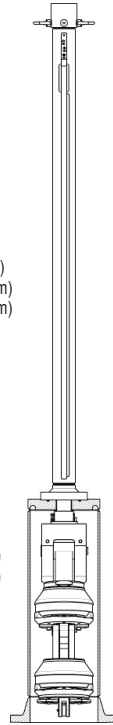
10" SHORTSTOPP® Cutter (nominal)
05-0330-0010

Pilot Drill
05-0293-0004

Plugging

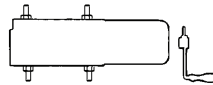
Jackscrew Actuator
Reference Bulletin
2020.003
12363575 - Travel 39-inches (997mm)
12363597 - Travel 55-inches (1397mm)
12363595 - Travel 75-inches (1905mm)

Housing
12351505 150# Flange
12358642 300# Flange



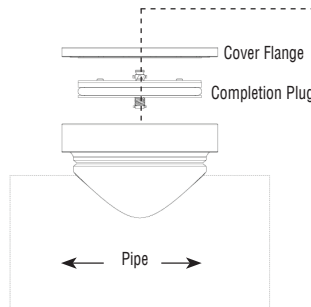
Plugging Head
12357565

SHORTCUTT® Valve
285 psi
09-0044-0000



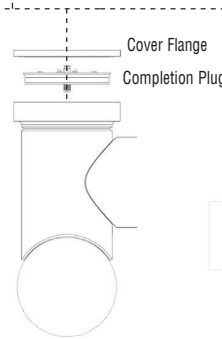
Valve-to-Fitting Adapter
06-5724-0012

Optional



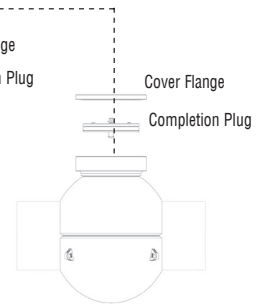
Welding Fitting

10" fitting (includes cover flanges with bolts, gaskets and plastic cap plugs, completion plug and O-ring)



3-WAY™ Tee

10" 3-WAY™ Tee (includes cover flange with bolts, gasket and plastic cap plugs, completion plug and O-ring)



Spherical 3-WAY™ Tee

Spherical 3-WAY™ Tee complete includes: cap or cover flange with gasket, cap screws and plastic cap plugs, completion plug and tee.

Seal Kit* 12366727
Hydraulic Pump Kit ** 12363568
Air Motor Kit *** 12362756

*Seal kit contains two sealing elements and a chip sweep
** Required
*** Recommended

Optional

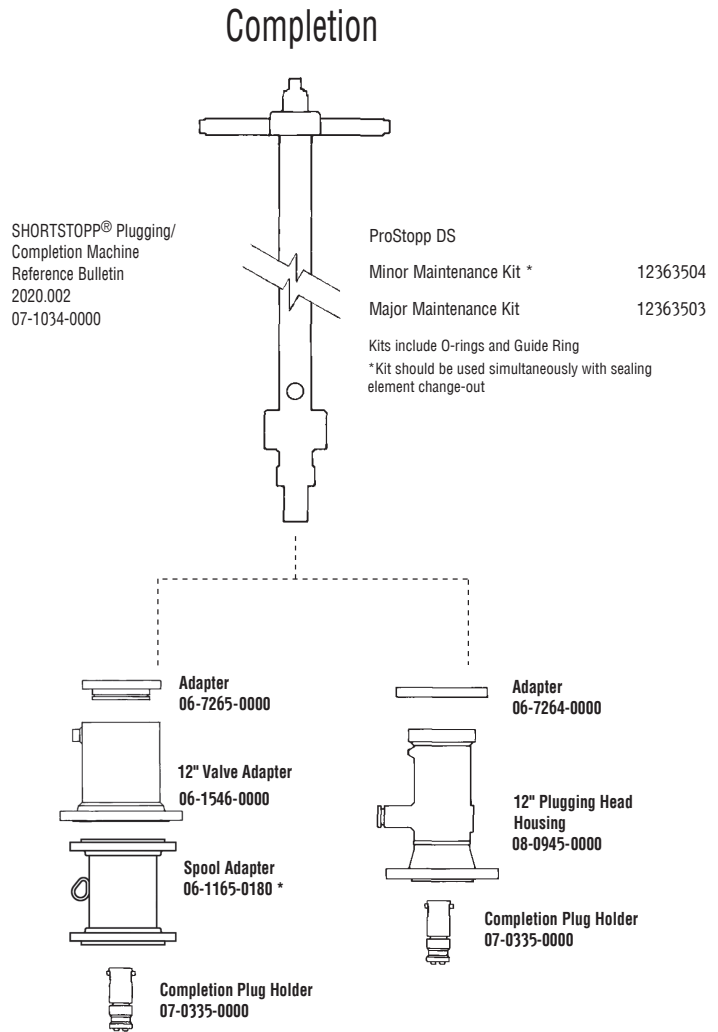
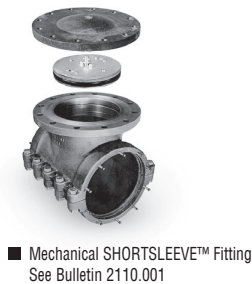
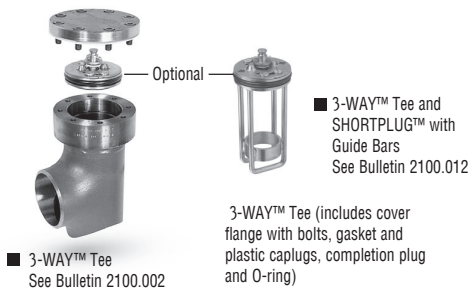
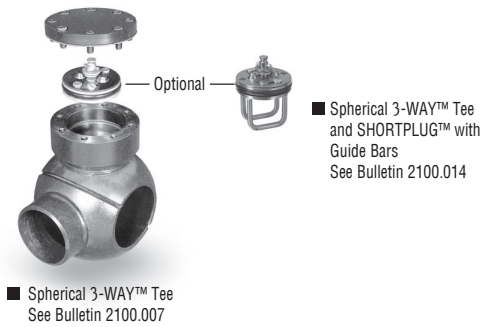
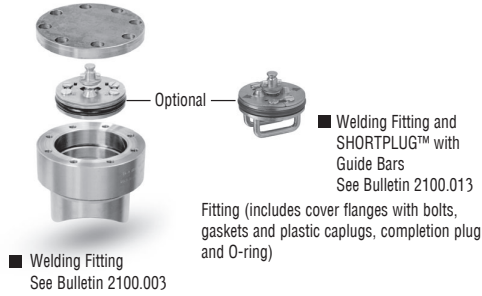
Extra Hose Kit 12378186
Transport Bracket Kit, 12in 12382858
Test Rings * 12369161

* Qty 2 needed. Test rings are included with purchase of plugging head.



ProStopp DS

10" Gas Main to 300 psi



Note 1: *12-inch Spool Adapter required to set 10-inch SHORTPLUG™ with Guide Bars in SHORTSTOPP Type II 3-Way™ Tee fittings using the 06-1546-0000 Adapter and 07-1586-0000 Completion Machine

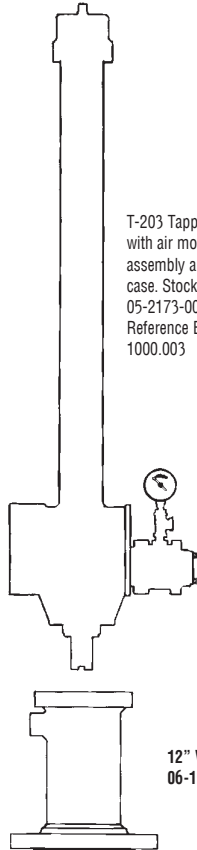
Note 2: Consult your TDW representative for additional fitting options.



Tapping and ProStopp® DS

Equipment Needed to Plug a 12" Gas Main to 300 psi

Tapping



T-203 Tapping Machine with air motor drive assembly and carrying case. Stock No. 05-2173-0000 Reference Bulletin 1000.003

12" Valve Adapter
06-1546-0000

Cutter Holder
05-0326-0000

12" SHORTSTOPP® Cutter (nominal)
05-0330-0012

Pilot Drill
05-0293-0005

Plugging

Jackscrew Actuator
Reference Bulletin 2020.003
12363575 - Travel 39-inches (997mm)
12363597 - Travel 55-inches (1397mm)
12363595 - Travel 75-inches (1905mm)

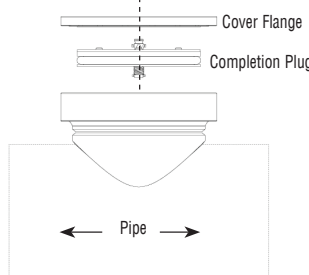
Housing
12351505 150# Flange
12358642 300# Flange

Plugging Head
12350480

SHORTCUTT® Valve
285 psi
09-0044-0000

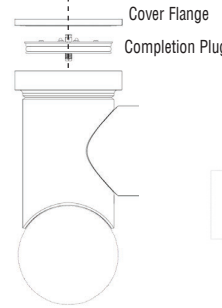
Valve-to-Fitting Adapter
06-5724-0011

Optional



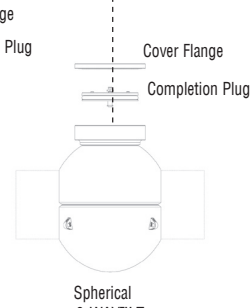
Welding Fitting

12" fitting (includes cover flanges with bolts, gaskets and plastic cap plugs, completion plug and O-ring)



3-WAY™ Tee

12" 3-WAY™ Tee (includes cover flange with bolts, gasket and plastic cap plugs, completion plug and O-ring)



Spherical 3-WAY™ Tee

Spherical 3-WAY™ Tee complete includes: cap or cover flange with gasket, cap screws and plastic capplugs, completion plug and tee.

Seal Kit*	12366728
Hydraulic Pump Kit **	12363568
Air Motor Kit ***	12362756

*Seal kit contains two sealing elements and a chip sweep
** Required
*** Recommended

Optional

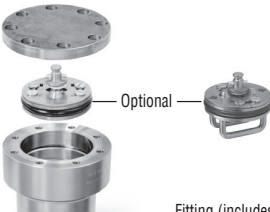
Extra Hose Kit	12378186
Transport Bracket Kit, 12in	12382858
Test Rings *	12369162

* Qty 2 needed. Test rings are included with purchase of plugging head.



ProStopp DS

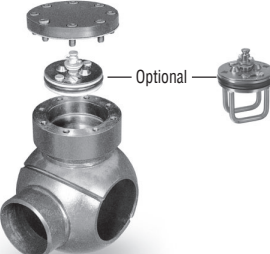
12" Gas Main to 300 psi

- 

Optional

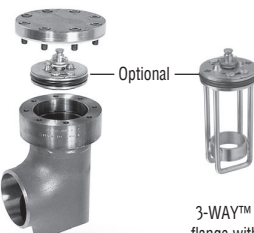
■ Welding Fitting and SHORTPLUG™ with Guide Bars
See Bulletin 2100.013

Fitting (includes cover flanges with bolts, gaskets and plastic caplugs, completion plug and O-ring)

■ Welding Fitting
See Bulletin 2100.003
- 

Optional


■ Spherical 3-WAY™ Tee and SHORTPLUG™ with Guide Bars
See Bulletin 2100.014

■ Spherical 3-WAY™ Tee
See Bulletin 2100.007
- 

Optional

■ 3-WAY™ Tee and SHORTPLUG™ with Guide Bars
See Bulletin 2100.012

3-WAY™ Tee (includes cover flange with bolts, gasket and plastic caplugs, completion plug and O-ring)

■ 3-WAY™ Tee
See Bulletin 2100.002
- 

■ Mechanical SHORTSLEEVE™ Fitting
See Bulletin 2110.001

Completion

SHORTSTOPP® Plugging/
Completion Machine
Reference Bulletin 2020.002
07-1034-0000

ProStopp DS

Minor Maintenance Kit * 12363492

Major Maintenance Kit 12363445

Kits include O-rings and Guide Ring
*Kit should be used simultaneously with sealing element change-out

- Adapter 06-7265-0000
- 12" Valve Adapter 06-1546-0000
- Spool Adapter 06-1165-0180*
- Completion Plug Holder 07-0335-0000
- 06-7264-0000 Adapter
- 12" Plugging Head Housing 08-0945-0000
- Completion Plug Holder 07-0335-0000

Note 1: Consult your TDW representative for additional fitting options.

Note 2: *The 07-1586-0000 Completion Machine with 48" travel is required to set 12" SHORTPLUG™ with Guide Bars in SHORTSTOPP Type II 3-Way™ Tee fittings using the 06-1546-0000 Adapter.