



Spherical 3-WAY™ Tee and SHORTPLUG™ with Guide Bars

Sizes: 4- to 12-inch



T.D. Williamson

Bulletin No: 2100.014.03

Version: 01.2023

Supersedes: 2100.014.02 (01.2005)

Spherical 3-WAY™ Tee and SHORTPLUG™ with Guide Bars

Sizes 4- to 12-inch



Description

Full-encirclement, low-profile Spherical 3-WAY™ Tees and SHORTPLUG™ with Guide Bars is designed for use with the TDW SHORTSTOPP® Plugging Machine system.

The bore of the 4" through 12" (DN 100 - DN 300) tee is internally grooved to engage the leaves of standard SHORTPLUG with Guide Bars.

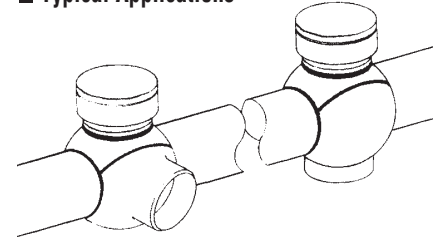
In the 4- through 12-inch sizes, reusable bolt-on flange adapters adapt the tee to TDW SHORTCUTT® and SHORTSTOPP® Valves.

Features

When used with SHORTSTOPP Plugging Machines, the maximum recommended working pressure and temperature should be limited to that of the plugging equipment, but not exceeding that of the fitting itself.

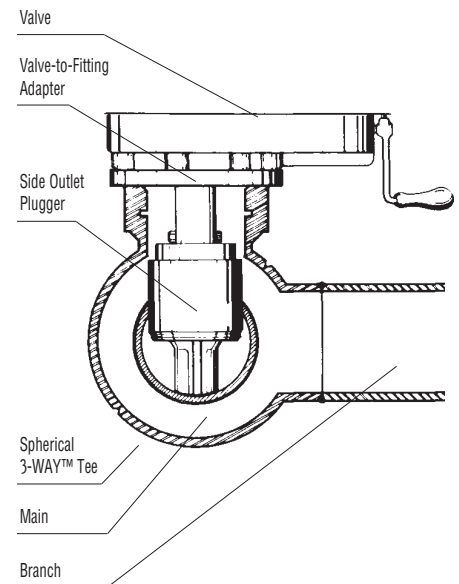
All fittings are compatible with most ASME Class 150 applications. With the plugging equipment removed, the maximum working pressure is 285 psi (20 bar) at 100°F (38°C) or 245 psi (17 bar) at 180°F (82°C) per ASME B31.4. See chart on page 2 for MAOP per ASME B31.8.

Typical Applications



The bottom half of the Spherical 3-WAY™ Tee can be turned for either a side or bottom* outlet as illustrated. The tee also can be installed horizontally.

*Use of SHORTSTOPP® 275 Plugging Machines is not recommended in bottom outlet configuration.



The SHORTSTOPP® 275 system's Side Outlet Plugging Machine is used with Spherical 3-WAY™ Tees to plug the tapped hole in a main. It forms a pressure-tight seal that simultaneously allows flow to continue in the main while preventing it from escaping into the side outlet. This permits maintenance work on the branch line without interruption of flow in the main line.

Spherical 3-WAY™ Tee and SHORTPLUG™ Guide Bars

4-inch Spool Adapter, 06-1165-0176-00 required
to set the SHORTPLUG™ with Guide Bars

Equipment	Housing	Required
SHORTSTOPP® II	08-3347-0000	Yes
SHORTSTOPP® II	08-3352-0000	Yes
SHORTSTOPP® 275	06-1542-0000	Yes
SHORTSTOPP® 275	08-0941-0000	No
SHORTSTOPP® 275	08-1748-0000	No

6-inch Spool Adapter, 06-1165-0177-00 required
to set the SHORTPLUG™ with Guide Bars

Equipment	Housing	Required
PROSTOPP DS™	06-1165-0177	Yes
SHORTSTOPP® II	08-3348-0000	Yes
SHORTSTOPP® II	08-3353-0000	Yes
SHORTSTOPP® 275	06-1543-0000	Yes
SHORTSTOPP® 275	08-0942-0000	No

8-inch Spool Adapter, 06-1165-0178-00 required
to set the SHORTPLUG™ with Guide Bars

Equipment	Housing	Required
PROSTOPP DS™	06-1165-0178	Yes
SHORTSTOPP® II	08-3349-0000	Yes
SHORTSTOPP® II	08-3350-0000	No
SHORTSTOPP® 275	06-1544-0000	No
SHORTSTOPP® 275	08-0943-0000	No

12-inch Spool Adapter, 06-1165-0180-00 required
to set the 10-inch SHORTPLUG™ with Guide Bars

Equipment	Housing	Required
PROSTOPP DS™	06-1165-0180	No
SHORTSTOPP® II	08-3351-0000	No
SHORTSTOPP® 275	06-1546-0000	No
SHORTSTOPP® 275	08-0945-0000	No

12-inch Spool Adapter, 06-1165-0180-00 required
to set the SHORTPLUG™ with Guide Bars

Equipment	Housing	Required
PROSTOPP DS™	06-1165-0180	No
SHORTSTOPP® II	08-3351-0000	No
SHORTSTOPP® 275	06-1546-0000	No
SHORTSTOPP® 275	08-0945-0000	No



T.D. Williamson

2100.014 - Pg. 4