



VANTAGE® + Pigs

Sizes: 2- through 14-inch



T.D. Williamson

Bulletin No: 3030.001.04
Version: 01.2007
Cross Indexing No: n/a
Supersedes: 3030.001.03 (02.2001)



■ **3CC-B Pig**
2" through 14"



■ **3D2CC-BR PIG**
10" through 14"

Description

VANTAGE®+ Pigs are multi-use pigs. Two basic body combinations are designed to meet most pigging applications. The basic unit serves as a batching, displacement or cleaning pig.

The VANTAGE+ Pig is lightweight, easy to assemble and maintain. The one-piece, molded-design body is economical, durable and provides long service. The cup and disc configuration is flexible enough to traverse 20 percent reductions in the pipe, due to buckles, dents, or flattening. Recommended operating temperature is -20°F to 200°F.

TDW recommends brush cleaning pigs for removing hard, internal pipe deposits such as mill scale, crust, and calcium deposits. Blade cleaning pigs are recommended for thick, soft, internal deposits such as wax, paraffin, sludge, and mud.

Features

VANTAGE+ Pigs are made of liquid-cast urethane, a high-strength, tough elastomer. Advantages of urethane include minimum swelling, exceptional resistance to hydrocarbons, light weight, reduced blistering, and increased abrasion resistance. TDW steel wire brushes, designed to remove hard deposits, are made from high-carbon, tempered steel.

The VANTAGE+ is offered in the 2CC, 3CC or 3D2CC configurations. The 2CC and 3D2CC may be converted to Brush or Blade cleaning pigs in sizes 10" and larger.

Patented in the United States and in foreign countries.

North and South America: 918-447-5400
Europe / Africa: 32-67-28-04-20
Middle East: 91-2667-619900
Asia / Pacific: 65-6364-8520

Options

VANTAGE+ 3CC Pigs are available in sizes 2" (50 mm) through 14" (350 mm). The 3D2CC Pigs are offered in sizes 4" (100 mm) through 14" (350 mm). The 10" (250 mm) through 14" (350 mm) VANTAGE+ Cleaning Pigs offer spring-loaded, wear-compensating cleaning elements. This size range may be equipped with steel wire brush or urethane blade cleaning elements.

To help you obtain the proper pig for your application, check to see if the selection is capable of traversing your particular pipeline components (bends, valves, tees, etc.).



■ **Brush Cleaning Pig**
2CC-BR, 10" through 14"



■ **Blade Cleaning Pig**
2CC-BL, 10" through 14"



■ **Brush Cleaning Pig**
3D2CC-BR, 10" through 14"



VANTAGE® + Pigs

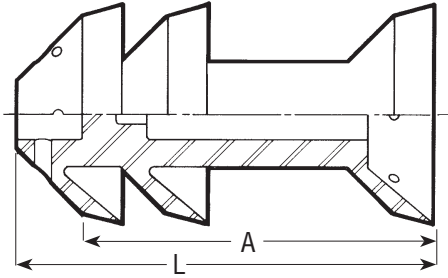
Sizes 2" through 14"

		Brush Cleaning Pigs 2CC-BR			Brush Cleaning Pigs 3D2CC-BR			Blade Cleaning Pigs 2CC-BL		
Inches	mm	Wt./Lbs.	Wt./kg	Part Number	Wt./Lbs.	Wt./kg	Part Number	Wt./Lbs.	Wt./kg	Part Number
2	50	0.7	0.3	02-2267-0000	N/A	N/A	N/A	N/A	N/A	N/A
3	75	1.4	0.6	02-2268-0000	N/A	N/A	N/A	N/A	N/A	N/A
4	100	2.8	1.3	02-2269-0000	N/A	N/A	N/A	N/A	N/A	N/A
6	150	5.6	2.5	02-2270-0000	N/A	N/A	N/A	N/A	N/A	N/A
8	200	12.2	5.5	02-2271-0000	N/A	N/A	N/A	N/A	N/A	N/A
10	250	23.0	10.4	02-2322-0000	39.0	17.7	02-2937-0000	19.0	8.6	02-2325-0000
12	300	37.0	16.8	02-2323-0000	43.0	19.5	02-2938-0000	32.0	14.5	02-2326-0000
14	350	43.0	19.5	02-2324-0000	48.0	21.8	02-2939-0000	37.0	16.8	02-2327-0000

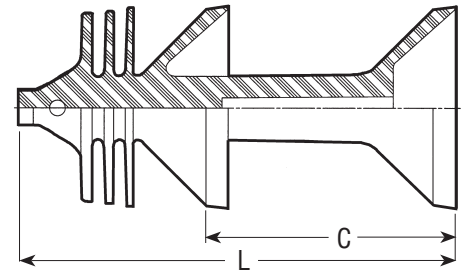
		Blade Cleaning Pigs 3D2CC-BL			Batching Pigs 3CC-B			Batching Pigs 3D2CC-B		
Inches	mm	Wt./Lbs.	Wt./kg	Part Number	Wt./Lbs.	Wt./kg	Part Number	Wt./Lbs.	Wt./kg	Part Number
2	50	N/A	N/A	N/A	0.3	0.1	01-1276-0002	N/A	N/A	N/A
3	75	N/A	N/A	N/A	1.0	0.4	01-1276-0003	N/A	N/A	N/A
4	100	N/A	N/A	N/A	2.4	1.1	01-1276-0004	2.0	.9	01-1667-0004
6	150	N/A	N/A	N/A	6.3	2.9	01-1276-0006	5.0	2.3	01-1667-0006
8	200	N/A	N/A	N/A	15.6	7.0	01-1276-0008	10.0	4.5	01-1667-0008
10	250	35.0	15.9	02-2940-0000	14.0	6.3	01-1276-0010	30.0	13.6	01-1667-0010
12	300	38.0	17.2	02-2941-0000	24.0	10.9	01-1276-0012	30.0	13.6	01-1667-0012
14	350	42.0	19.0	02-2942-0000	30.0	13.6	01-1276-0014	35.0	15.9	01-1667-0014

		Dimensions All Types						Allowable ID Variations									
Size		A		B		C		L-Batching		L-Cleaning		L-(3D2CC)		minimum		maximum	
Inches	mm	Inches	mm	Inches	mm	Inches	mm	Inches	mm	Inches	mm	Inches	mm	Inches	mm	Inches	mm
2	50	3-1/2	89	3-1/2	89	--	--	4	102	4-1/4	108	--	--	1-15/16	49	2-1/8	54
3	75	5-1/8	130	5-1/8	130	--	--	6	152	5-1/2	140	--	--	2-7/8	73	3-3/16	81
4	100	6-3/4	171	6-15/16	176	5	127	8	203	7-9/16	192	10-1/4	260	3-7/8	98	4-3/16	106
6	150	10-1/4	260	9-15/16	252	7-1/2	191	12	305	11-15/16	303	13-3/8	340	5-3/4	146	6-1/4	159
8	200	13-1/2	343	12-15/16	329	10-1/8	257	16	406	14-15/16	379	17-5/8	448	7-5/8	194	8-3/16	208
10	250	16-9/16	421	--	--	13-3/8	340	20-3/8	518	17-3/16	437	23-9/16	598	9-3/4	248	10-1/4	260
12	300	19-5/8	498	--	--	15-7/8	403	23-15/32	596	19-23/32	501	27-7/16	697	11-3/4	299	12-1/4	311
14	350	21-1/4	540	--	--	17-1/8	435	25-3/4	654	21-5/8	549	29-9/16	751	13	330	13-1/2	343

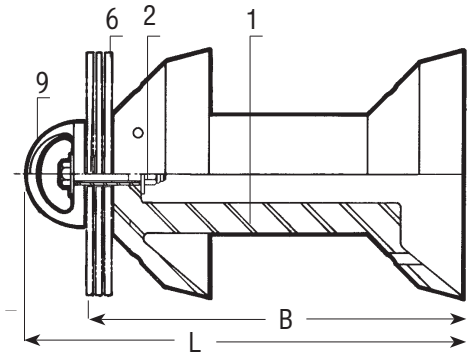
VANTAGE® + Pigs



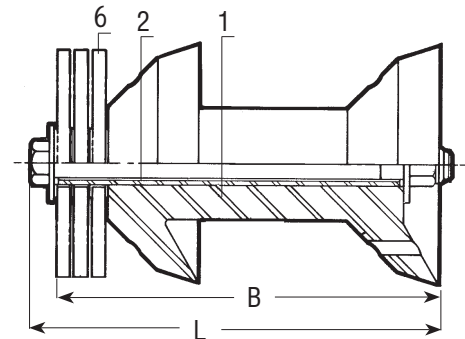
Batching Displacement 2" through 14"
One-Piece Urethane Type 3CC-B



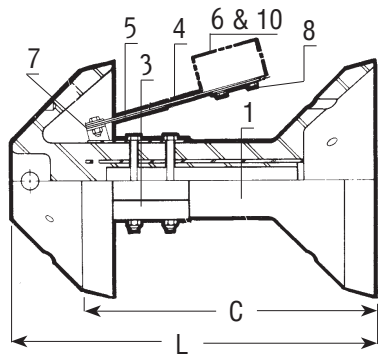
Batching Displacement 4" through 14"
Type 3D2CC-B



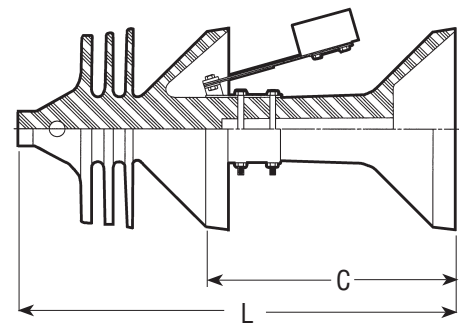
Cleaning Pig 6" and 8"
Type 2CC-BR



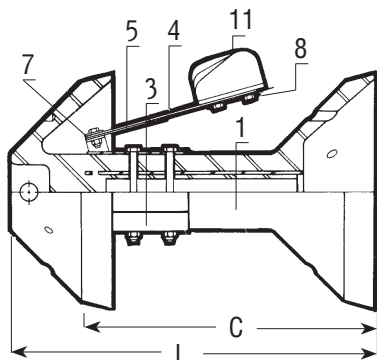
Cleaning Pig 2" and 4"
Type 2CC-BR



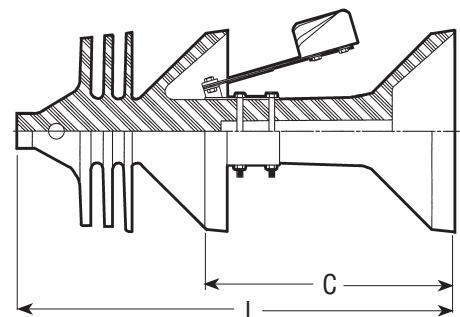
Cleaning Pig + Brushes 10" and 14"
Type 2CC-BR



Cleaning Pig + Brushes 10" and 14"
Type 3D2CC-BR



Cleaning Pig + Blades 10" and 14"
Type 2CC-BL



Cleaning Pig + Blades 10" and 14"
Type 3D2CC-BL



VANTAGE® + Pigs

VANTAGE®+ Pigs Will Traverse:

Nominal Size		2CC-BR 2CC-BL 3CC-B Min. Bend Radius		Cleaning 2CC-BL & 2CC-BR Max. Gate Valve Seat Ring Spacing		Batching 3CC-B Max. Gate Valve Seat Ring Spacing		2CC-BR, 2CC-BL & 3CC-B Cleaning Max. Check Valve Length of Bowl				Batching Max. Check Valve Length of Bowl	
Inches	mm	Inches	mm	Inches	mm	Inches	mm	Inches	mm	Inches	mm	Inches	mm
2	50	3	75	1-1/8	29	1-1/8	29	2-1/8	55	3	75		
3	75	4-1/2	114	1-5/8	41	1-5/8	41	3-3/16	82	4-1/2	114		
4	100	6	150	2-1/4	57	2-1/8	54	4-3/8	112	6	150		
6	150	9	229	3	76	3-3/8	86	6-3/8	164	9	229		
8	200	12	300	3-1/2	89	4-1/4	108	8-3/4	225	12	300		
10	250	15	381	8-5/8	219	4-1/4	108	11-13/16	304	15	381		
12	300	18	457	9-9/16	243	4-7/8	124	14-1/4	366	18	457		
14	350	21	533	10-3/16	259	5-3/8	137	15-3/8	395	19-1/2	501		

Nominal Size		3D2CC-B Min. Bend Radius		3D2CC-BL, BR Seat Ring Spacing		3D2CC-B, BL, BR Max. Gate Valve Length of Bowl		3D2CC-B, BL, BR Max. Check Valve	
Inches	mm	Inches	mm	Inches	mm	Inches	mm	Inches	mm
4	100	6	150	N/A	N/A	2-5/8	67	7-7/8	200
6	150	9	229	N/A	N/A	4-3/8	112	10-1/4	260
8	200	12	300	N/A	N/A	5-1/2	140	13-1/2	343
10	250	15	381	30	762	7-15/16	198	18-15/16	481
12	300	18	457	36	914	8-1/2	216	22	559
14	350	21	533	42	1067	9-1/16	230	23-7/16	595

All VANTAGE®+ Pigs will traverse full-size, branch openings. Guide bars are necessary across opening when branch is 75% or more of pipe ID.