



ULTRA™ Pig-All Urethane

Sizes: 16- through 36-inch



T.D. Williamson, Inc.

Bulletin No: **3030.005.04**
Date: January 2007
Cross Indexing No: n/a
Supersedes: 3030.005.03 (12/06)



■ **DCDC Configuration**

Description

The ULTRA™ Pig, available in sizes 16" through 36", is an excellent batching/displacement pig and will even perform light cleaning jobs. It can be furnished in a number of cup, disc and cup/disc configurations.

Its all-urethane construction, except bolts, nuts and washers, makes this a very lightweight pig. The pig body and spacers are manufactured from our structural grade urethane, designed to withstand the loads applied within a pipeline. This lightens the pig making it easier to handle in the field and also making the pig last longer.

Features

The ULTRA Pig is offered in four basic configurations in sizes 16" through 36". The pig bodies will allow the installation of two different size cups and/or discs starting with the 18" and 20" size.

Configuration 1111 is used for bidirectional applications. Types 2220 and 2222 are used for long batching and displacement applications. Type 1212 is used when light cleaning, batching and displacement are required on a single run.

All cups and discs are replaceable and can be interchanged or reconfigured when conditions warrant or when necessary. They feature TDW's polyurethane formula which is designed to provide superior abrasion resistance. This new polyurethane means more miles and more runs at less cost.

Options

T. D. Williamson, Inc., is committed to providing you with the exact product to assist you in meeting your individual needs.

The ULTRA Pig, offered in a number of configurations, is available with the following options:

- Additional cups or discs
- Gauge plates at your specified diameter and configuration
- Mounting plates for pig tracking transmitters
- Bypass holes for jet cleaning
- RealSeal™ Multi-lip cups for increased sealing effectiveness and wear life

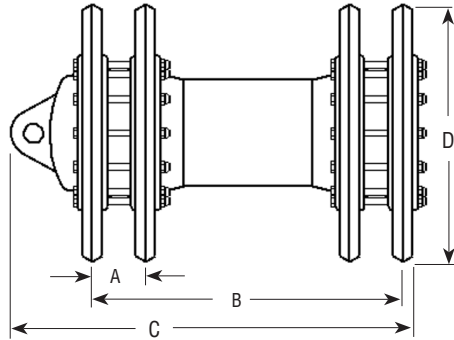
Patented in the United States and in foreign countries.

USA: 1-800-571-7447
England: (44) 1-793-603600

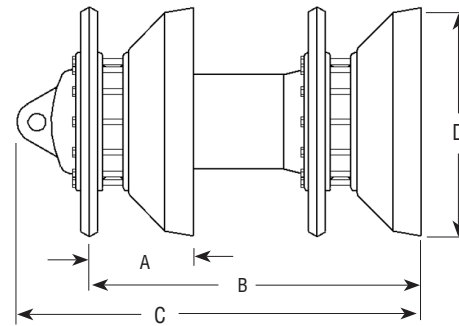


ULTRA™ Pig

■ Configuration 1111



■ Configuration 1212



Configuration 1111, Sizes 16" through 36"

Inches	mm	Part Number	Lbs.	Kg.	Dimensions/Inches				Dimensions/mm			
					A	B	C	D	A	B	C	D
16	400	01-1513-1111-16	65	29	3.625	21.250	27.781	15.875	92	540	706	403
18	450	01-1513-1111-18	85	39	4.062	23.875	31.281	17.875	103	606	795	454
20	500	01-1513-1111-20	90	41	4.062	23.875	31.281	19.875	103	606	795	505
22	550	01-1513-1111-22	160	73	5.000	29.250	38.469	22.000	127	743	977	559
24	600	01-1513-1111-24	180	82	5.000	29.250	38.469	24.000	127	743	977	610
26	650	01-1513-1111-26	230	104	5.875	34.500	44.656	26.000	149	876	1134	660
28	700	01-1513-1111-28	245	111	5.875	34.500	44.656	28.000	149	876	1134	711
30	750	01-1513-1111-30	335	152	6.750	39.750	51.031	30.000	171	1010	1296	762
32	800	01-1513-1111-32	360	163	6.750	39.750	51.031	32.000	171	1010	1296	813
34	850	01-1513-1111-34	490	222	7.750	45.125	57.531	34.000	197	1146	1461	864
36	900	01-1513-1111-36	525	238	7.750	45.125	57.531	36.000	197	1146	1461	914

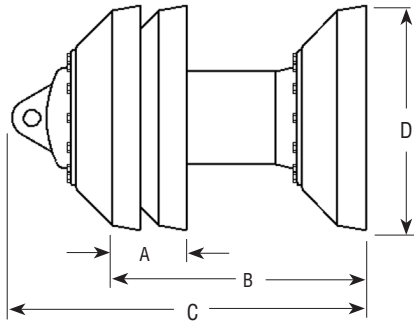
Configuration 1212, Sizes 16" through 36"

Inches	mm	Part Number	Lbs.	Kg.	Dimensions/Inches				Dimensions/mm			
					A	B	C	D	A	B	C	D
16	400	01-1513-1212-16	65	29	7.062	24.688	30.094	15.875	179	627	764	403
18	450	01-1513-1212-18	95	43	7.812	27.625	33.906	17.875	198	702	861	454
20	500	01-1513-1212-20	100	45	9.062	28.875	35.156	19.875	230	733	893	505
22	550	01-1513-1212-22	170	77	9.594	33.844	41.750	22.000	244	860	1060	559
24	600	01-1513-1212-24	185	84	10.844	35.094	43.000	24.000	275	891	1092	610
26	650	01-1513-1212-26	235	107	12.000	40.625	49.469	26.000	305	1032	1257	660
28	700	01-1513-1212-28	255	116	13.250	41.875	50.719	28.000	337	1064	1288	711
30	750	01-1513-1212-30	355	161	13.750	46.750	56.531	30.000	349	1187	1436	762
32	800	01-1513-1212-32	390	177	15.000	48.000	57.781	32.000	381	1219	1468	813
34	850	01-1513-1212-34	530	240	15.875	53.250	63.781	34.000	403	1353	1620	864
36	900	01-1513-1212-36	570	259	17.250	54.625	65.156	36.000	438	1387	1655	914

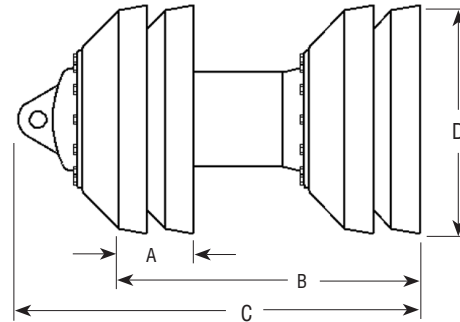


ULTRA™ Pig

■ Configuration 2220



■ Configuration 2222



Configuration 2220, Sizes 16" through 36"

Inches	mm	Part Number	Lbs.	Kg.	Dimensions/Inches				Dimensions/mm			
					A	B	C	D	A	B	C	D
16	400	01-1513-2220-16	55	25	5.625	19.625	26.469	15.875	143	498	672	403
18	450	01-1513-2220-18	80	36	6.312	22.062	29.844	17.875	160	560	758	454
20	500	01-1513-2220-20	85	39	6.562	22.312	31.094	19.875	167	567	790	505
22	550	01-1513-2220-22	135	61	7.750	27.000	36.750	22.000	197	686	933	559
24	600	01-1513-2220-24	150	68	8.000	27.250	38.000	24.000	203	692	965	610
26	650	01-1513-2220-26	185	84	9.125	31.875	43.594	26.000	232	810	1107	660
28	700	01-1513-2220-28	200	91	9.375	32.125	44.844	28.000	238	816	1139	711
30	750	01-1513-2220-30	290	132	10.500	36.750	49.781	30.000	267	933	1264	762
32	800	01-1513-2220-32	320	145	10.750	37.000	51.031	32.000	273	940	1296	813
34	850	01-1513-2220-34	440	200	12.000	41.625	56.031	34.000	305	1057	1423	864
36	900	01-1513-2220-36	475	215	12.250	41.875	57.406	36.000	311	1064	1458	914

Configuration 2222, Sizes 16" through 36"

Inches	mm	Part Number	Lbs.	Kg.	Dimensions/Inches				Dimensions/mm			
					A	B	C	D	A	B	C	D
16	400	01-1513-2222-16	65	29	5.625	23.250	30.094	15.875	143	591	764	403
18	450	01-1513-2222-18	100	45	6.312	26.125	33.906	17.875	160	664	861	454
20	500	01-1513-2222-20	110	50	6.562	26.375	35.156	19.875	167	670	893	505
22	550	01-1513-2222-22	175	79	7.750	32.000	41.750	22.000	197	813	1060	559
24	600	01-1513-2222-24	195	88	8.000	32.250	43.000	24.000	203	819	1092	610
26	650	01-1513-2222-26	240	109	9.125	37.750	49.469	26.000	232	959	1257	660
28	700	01-1513-2222-28	260	118	9.375	38.000	50.719	28.000	238	965	1288	711
30	750	01-1513-2222-30	375	170	10.500	43.500	56.531	30.000	267	1105	1436	762
32	800	01-1513-2222-32	415	188	10.750	43.750	57.781	32.000	273	1111	1468	813
34	850	01-1513-2222-34	565	256	12.000	49.375	63.781	34.000	305	1254	1620	864
36	900	01-1513-2222-36	615	279	12.250	49.625	65.156	36.000	311	1260	1655	914

Ordering Information

ULTRA™ Pig



T.D. Williamson, Inc.

3030.005 - p4

Sizes 16" through 36"

	Body	Spacer	Flange	Nose	Disc	Cup
16"	00-6407-0016	00-6408-0016	00-6409-0016	00-6410-0016	00-6414-0016	00-4120-0016
18"	00-6407-1820	00-6408-1820	00-6409-1820	00-6410-1820	00-6414-0018	00-4120-0018
20"	00-6407-1820	00-6408-1820	00-6409-1820	00-6410-1820	00-6414-0020	00-4120-0020
22"	00-6407-2224	00-6408-2224	00-6409-2224	00-6410-2224	00-6414-0022	00-4120-0022
24"	00-6407-2224	00-6408-2224	00-6409-2224	00-6410-2224	00-6414-0024	00-4120-0024
26"	00-6407-2628	00-6408-2628	00-6409-2628	00-6410-2628	00-6414-0026	00-4120-0026
28"	00-6407-2628	00-6408-2628	00-6409-2628	00-6410-2628	00-6414-0028	00-4120-0028
30"	00-8115-0001	00-8115-0003	00-6409-3032	00-6410-3032	00-6414-0030	00-4120-0030
32"	00-8115-0001	00-8115-0003	00-6409-3032	00-6410-3032	00-6414-0032	00-4120-0032
34"	00-8064-0001	00-8064-0003	00-6409-3436	00-6410-3436	00-6414-0034	00-4120-0034
36"	00-8064-0001	00-8064-0003	00-6409-3436	00-6410-3436	00-6414-0036	00-4120-0036

Typical of all ULTRA™ Pigs:

Will traverse 1.5 DR bends.

Maximum Gate Valve Seat-Ring Spacing is equal to Dimension A - 1"

Maximum Check Valve Bowl Length is equal to Dimension B - 1"