

SHORTSTOPP® Welding Fittings

Sizes: 1¼- to 12- inches



Bulletin No: 2100.003.04
Version: 06.2018
Cross Indexing No: n/a
Supersedes: 2100.003.03 (09.2005)



■ **SHORTSTOPP®
Welding Fitting**
Sizes 1-1/4", 1-1/2", 2" and 3"



■ **SHORTSTOPP® 285
Purge & Equalization
Fitting**
Size 2"



■ **SHORTSTOPP®
Welding Fitting**
Sizes 4" to 12"

Description

SHORTSTOPP® Welding Fittings are designed for use with TDW SHORTSTOPP® Plugging Machine systems. They are used for main relocations, equipment tie-ins, lateral connections, line extensions, crossovers, and purge and equalization – all without temporary bypass or shutdown.

Fittings are available in sizes 1-1/4", 1-1/2", 2" and 3" (DN 32, DN 38, DN 50 and DN 80) and in sizes 4" through 12" (DN 100 - DN 300). The SHORTSTOPP Purge & Equalization Fitting is available in 2" size only.

The design of the 4" through 12" (DN 100 - DN 300) Type IIA Welding Fitting requires a reusable bolt-on flange adapter for TDW SHORTCUTT® and SHORTSTOPP® Valves.

Features

When used with SHORTSTOPP® Plugging Machines, the maximum recommended working pressure and temperature should be limited to that of the plugging equipment, but not exceeding that of the fitting itself.

With the plugging equipment removed, the maximum working pressure is 285 psi (20 bar) at 100°F (38°C) or 245 psi (17 bar) at 180°F (82°C) per ASME B31.4. See chart on page 3 for MOAP per ASME B31.8.

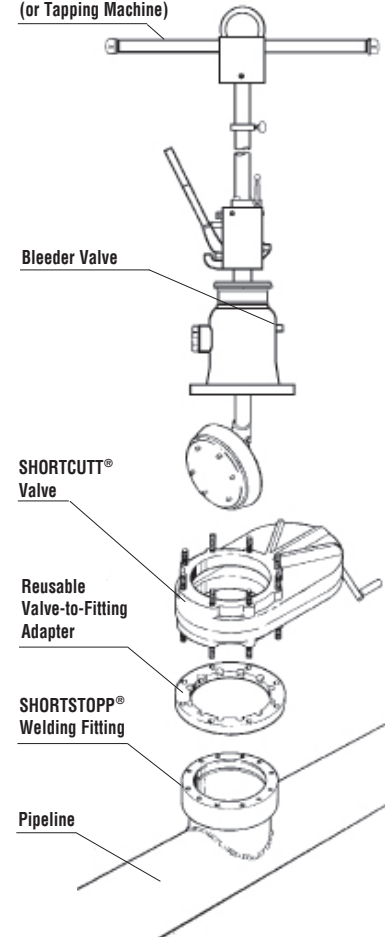
1-1/4" to 3" Cap:
Malleable Iron Plug:
C1213 CF Steel

Nipple: A106 GR B SMLS Steel Pipe
O-Ring: Buna-N

4" through 12"

Nipple: A106 GR B SMLS Steel Pipe
O-Ring: Buna-N

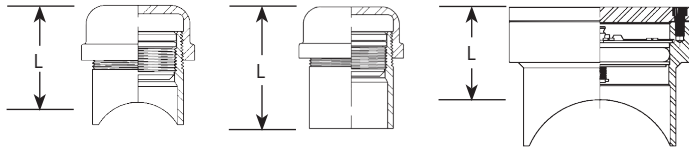
SHORTSTOPP® II
Plugging Machine
(or Tapping Machine)



The design of the 4" through 12" (100 mm - 300 mm) Type IIA Welding Fitting requires a reusable bolt-on flange adapter which adapts the fitting to TDW SHORTCUTT® Valves.



SHORTSTOPP® Welding Fittings



■ 1-1/4" to 3"

■ 2" only

■ 4" to 12"



■ 1-1/4" to 3" Welding fitting includes cap, completion plug, O-ring and nipple.



■ 2" only Purge & Equalization fitting includes cap, completion plug, O-ring and nipple.



■ 4" to 12" Welding fitting includes cover flanges with bolts, gasket and plastic caplugs, completion plug, O-ring and flanged nipple.

Dimensions

Size		L	
Inches	DN	Inches	mm
1-1/4	32	2-5/16	75
1-1/2	38	3	80
2	50	3	80
2 (flat)	50	3-7/16	88
3	80	3-7/8	98
4	100	4-3/8	111
6	150	5-3/16	132
8	200	5-5/16	135
10	250	6	152
12	300	6	152
3 x 4	80 x 100	3-7/8	98
4 x 6	100 x 150	4-3/8	111
6 x 8	150 x 200	5-3/16	132
8 x 10	200 x 250	5-5/16	135
8 x 12	200 x 300	5-5/16	135

Valve-to-Fitting Adapters for 4" to 12"

Size		Weight		Part Number
Inches	DN	Lbs.	Kg.	
4	100	10	5	06-5724-0001
6	150	13	6	06-5724-0002
8	200	25	11	06-5724-0003
10	250	40	18	06-5724-0010
12	300	55	25	06-5724-0011
4 x 6	100 x 150	18	8	06-5724-0007
6 x 8	150 x 200	28-1/2	13	06-5724-0004
8 x 10	200 x 250	44	20	06-5724-0009
10 x 12	250 x 300	70	32	06-5724-0012

The 4" x 6", 6" x 8", 8" x 10" and 10" x 12" adapters are used to adapt the valve to the next smaller fittings.



SHORTSTOPP® Welding Fittings

SHORTSTOPP® Welding Fittings for Use with SHORTSTOPP® 60, SHORTSTOPP® II and SHORTSTOPP® 275 Plugging Machines

Maximum allowable operating pressure (in psi) per ASME B31.8 at -20 to +100° F

Size		Weight		Part Number	Design Factor			
Inches	DN	Lbs.	Kg.		0.72	0.6	0.5	0.4
1-1/4	32	1-1/2	0.7	06-1179-0000	285	285	285	285
1-1/2	38	2	0.9	26-0211-0000	285	285	285	285
2	50	2.5	1.1	26-0212-0000	285	285	285	285
2 (flat)	50	2	0.9	26-0319-0000 (no bevel)	285	285	285	285
3	80	3.5	1.6	26-0213-0000	285	285	285	285
4	100	18	8	06-7213-0000	285	285	285	285
6	150	40	18	06-7214-0000	285	285	285	285
8	200	64	29	06-7215-0000	285	285	285	275
10	250	120	54	06-7216-0000	285	285	285	240
12	300	165	75	06-7217-0000	285	285	275	220
3 x 4	80 x 100	3.5	1.6	26-0324-0000	285	285	285	250
4 x 6	100 x 150	18	8	06-9541-0000	285	285	285	285
6 x 8	150 x 200	40	18	06-9542-0000	285	285	285	280
8 x 10	200 x 250	64	29	06-9543-0000	285	285	285	245
8 x 12	200 x 300	64	29	06-9544-0000	285	285	285	225

Minimum Pipe Wall Thicknesses (Inches)

Size Inches	Header Pipe OD	Design Factor Min. Pipe Wall Thickness			
		0.72	0.60	0.50	0.40
1-1/4	1.660	0.019	0.023	0.027	0.034
1-1/2	1.900	0.021	0.026	0.031	0.039
2 (incl. flat)	2.375	0.027	0.032	0.039	0.048
3	3.500	0.040	0.048	0.057	0.071
4	4.500	0.051	0.061	0.073	0.092
6	6.625	0.075	0.090	0.108	0.135
8	8.625	0.098	0.117	0.140	0.176
10	10.750	0.122	0.146	0.175	0.219
12	12.750	0.144	0.173	0.208	0.260
3 x 4	4.500	0.051	0.061	0.073	0.092
4 x 6	6.625	0.075	0.090	0.108	0.135
6 x 8	8.625	0.098	0.117	0.140	0.176
8 x 10	10.750	0.122	0.146	0.175	0.219
8 x 12	12.750	0.144	0.173	0.208	0.260

Spare O-Rings & Gaskets

Size		Spare O-Rings Part Number	Spare Gaskets Part Number
Inches	DN		
1-1/4	32	00-0117-0014	--
1-1/2	38	00-0117-0010	--
2 (incl. flat)	50	00-0117-0010	--
3	80	00-0117-0013	--
4	100	00-1250-0001	00-5238-0004-01
6	150	00-1250-0002	00-5238-0006-01
8	200	00-1250-0003	00-5238-0008-01
10	250	00-1250-0004	00-5238-0010-01
12	300	00-1250-0005	00-5238-0012-01
3 x 4	80 x 100	00-0017-0013	--
4 x 6	100 x 150	00-1250-0001	00-5238-0004-01
6 x 8	150 x 200	00-1250-0002	00-5238-0006-01
8 x 10	200 x 250	00-1250-0003	00-5238-0008-01
8 x 12	200 x 300	00-1250-0003	00-5238-0008-01

Note: The TDW fitting provides sufficient material wall thickness for itself and in many cases reinforcement for the branch opening in the pipe. However, the chart above specifies minimum wall thickness of the pipe for self reinforcement. (Based on 35,000 PSI SMYS)