



SHORTSTOPP® Bolt-On 3-WAY™ Tee

Sizes: 2- through 12-inch



T.D. Williamson

Bulletin No: 2100.011.01

Version: 06.2003

Cross Indexing No: n/a

Supersedes: 2100.000.00

■ 2- to 3-inch 3-WAY™ Tee
(Top Seal Shown)



Description

TDW's Bolt-On 3-WAY™ Tee is designed for use with TDW Tapping and SHORTSTOPP® Plugging Machine Systems. It is used for main relocations, equipment tie-ins, lateral connections, line extensions, crossovers, temporary or permanent bypass, eliminating the need for a valve on the connection and making repairs, all without shutdown.

Fittings are available in sizes 2- through 12-inches. The 2- and 3-inch sizes have threaded equipment connections. The design of the 4- through 12-inch Type IIA 3-WAY Tee requires a reusable bolt-on flange adapter, which adapts the tee to TDW SHORTCUTT® and SHORTSTOPP Valves. Sizes 14-inches and larger are available.

These tees come complete including the top half, bottom half, bolts, nuts, O-ring seals, gaskets, completion plug and blind flange or cap.

Features

TDW's Bolt-On Top Seal and End Seal tees can be used on a variety of pipe materials including steel, ductile iron and cast iron. They have a broad range of nominal pipe sizes and can allow for broad variances in actual outside diameters.

All tees are designed to ASME B31.8 standards. The maximum working pressure of the fitting is 60 psig (4 bar) at 150°F (51°C).

The 2-inch tee bodies are forged ASTM A-105 carbon steel. Size 3-inch tees are ASTM A-234 Grade WPB steel. Sizes 4- through 12-inch tees are either fabricated from ASTM A-106 Grade B or ASTM-A-234 Grade WPB steel. Sleeve body materials are ASTM A285 Grade C. Stud and nut materials come in ASTM A B7 Studs or ASTM A304 Stainless Steel studs and nuts. The body-to-main seal is 55 to 60 durometer Buna-N.

To isolate flow or pressure into connecting lines, the side outlet of the tee can be plugged with TDW SHORTSTOPP Plugging Machine equipment at pressures up to 60 psig.

Options

Tees can be supplied with steel-to-medium- or high-density polyethylene transition fittings welded on the outlets from the factory.

Tees can be supplied in a Top Seal or Circumferential End Seal designs for the fitting-to-main attachment.

Top Seal Tees can be supplied with a CSP package or an ESS package. The standard CSP package includes carbon steel hardware and primer coating. The ESS corrosion resistant package includes stainless steel hardware, Fusion Bonded Epoxy coating and an elastomer insulator.

All fittings can be supplied with either primer coating or Fusion Bonded Epoxy coating.

Tapping Sleeves are available in a full range of sizes from 2- through 24-inches.

Note: Due to the broad range of cast iron pipe ODs and IDs in service, it is necessary to verify dimensions and consult the factory in advance of a fitting purchase to insure compatibility.

■ Branch Type II 3-WAY™ Tee
4- to 12 inch
(Top Seal Shown)



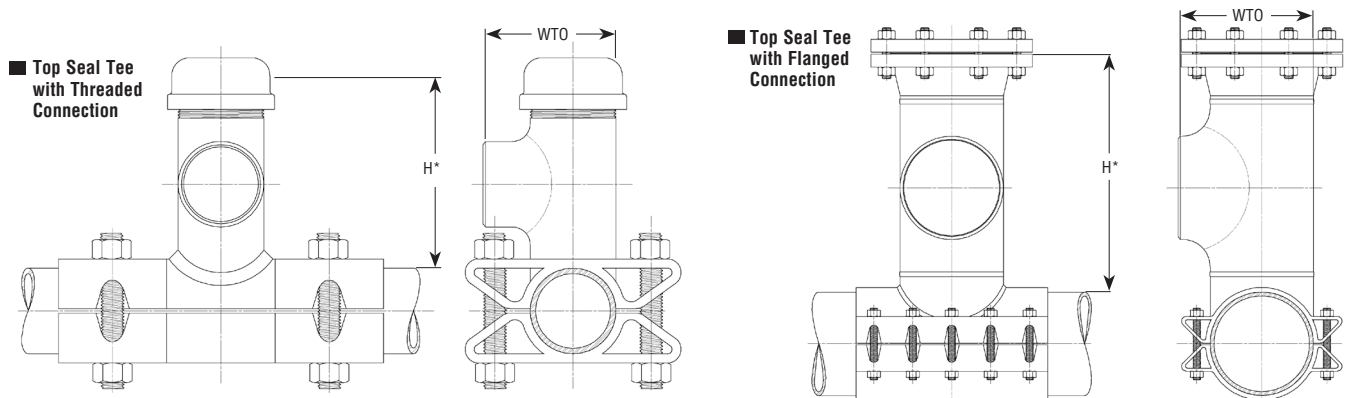
ISO 9001 Certified

Toll Free

1-888-TDWmSon (839-6766)

Top Seal 3-WAY™ Tees (Sizes in Inches)

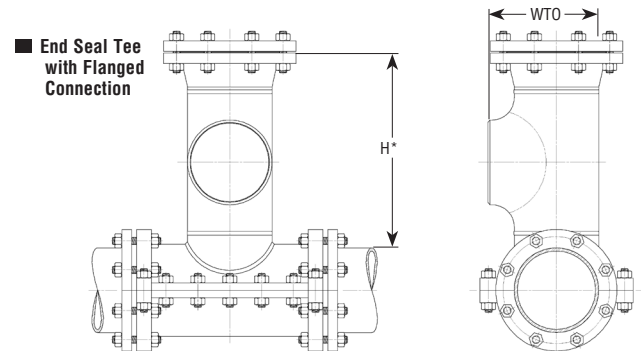
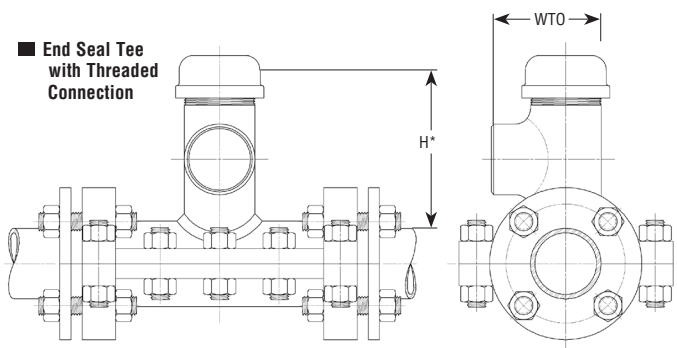
| Nominal Size | Height (H*) | Width | Width to Outlet (WTO) | Wt./ Lb. | Wt./Kg. | Part Number |
|--------------|-------------|-------|-----------------------|----------|---------|-----------------|
| 2 | 5.02 | | 3.25 | 16 | 7 | MX 0202 XXXX XX |
| 3 x 2 | 5.00 | 12.00 | 3.25 | 18 | 8 | MX 0302 XXXX XX |
| 3 | 7.00 | 12.00 | 4.78 | 23 | 10 | MX 0303 XXXX XX |
| 4 x 2 | 5.00 | 12.00 | 3.25 | 54 | 25 | MX 0402 XXXX XX |
| 4 x 3 | 7.00 | 12.00 | 4.78 | 32 | 15 | MX 0403 XXXX XX |
| 4 | 9.44 | 12.00 | 6.14 | 71 | 32 | MX 0404 XXXX XX |
| 6 x 2 | 5.00 | 12.00 | 3.25 | 36 | 16 | MX 0602 XXXX XX |
| 6 x 3 | 7.00 | 12.00 | 4.78 | 41 | 19 | MX 0603 XXXX XX |
| 6 x 4 | 9.44 | 12.00 | 6.14 | 63 | 29 | MX 0604 XXXX XX |
| 6 | 12.75 | 12.00 | 8.78 | 80 | 36 | MX 0606 XXXX XX |
| 8 x 2 | 5.00 | 12.00 | 3.25 | 109 | 50 | MX 0802 XXXX XX |
| 8 x 3 | 7.00 | 12.00 | 4.78 | 114 | 52 | MX 0803 XXXX XX |
| 8 x 4 | 9.44 | 12.00 | 6.14 | 136 | 62 | MX 0804 XXXX XX |
| 8 x 6 | 12.75 | 12.00 | 8.78 | 153 | 70 | MX 0806 XXXX XX |
| 8 | 14.00 | 15.00 | 10.84 | 228 | 104 | MX 0808 XXXX XX |
| 10 x 2 | 5.00 | 15.00 | 3.25 | 149 | 68 | MX 1002 XXXX XX |
| 10 x 3 | 7.00 | 15.00 | 4.78 | 154 | 70 | MX 1003 XXXX XX |
| 10 x 4 | 9.44 | 15.00 | 6.14 | 176 | 80 | MX 1004 XXXX XX |
| 10 x 6 | 12.75 | 15.00 | 8.78 | 193 | 88 | MX 1006 XXXX XX |
| 10 x 8 | 14.00 | 15.00 | 10.84 | 268 | 122 | MX 1008 XXXX XX |
| 10 | 17.13 | 21.00 | 14.88 | 323 | 147 | MX 1010 XXXX XX |
| 12 x 2 | 5.00 | 15.00 | 3.25 | 182 | 83 | MX 1202 XXXX XX |
| 12 x 3 | 7.00 | 15.00 | 4.78 | 187 | 85 | MX 1203 XXXX XX |
| 12 x 4 | 9.44 | 15.00 | 6.14 | 209 | 95 | MX 1204 XXXX XX |
| 12 x 6 | 12.75 | 15.00 | 8.78 | 226 | 103 | MX 1206 XXXX XX |
| 12 x 8 | 14.00 | 15.00 | 10.84 | 301 | 137 | MX 1208 XXXX XX |
| 12 x 10 | 17.13 | 24.00 | 14.88 | 356 | 162 | MX 1210 XXXX XX |
| 12 | 18.75 | 24.00 | 15.88 | 449 | 204 | MX 1212 XXXX XX |





End Seal 3-WAY™ Tees (Sizes in Inches)

| Nominal Size | Height | Width | Width to Outlet | Wt./ Lb. | Wt./Kg. | Part Number |
|--------------|--------|-----------------|-----------------|----------|---------|-----------------|
| 2 | 5.395 | Consult Factory | 3.25 | 71 | 32 | MX 0202 XXXX XX |
| 3 x 2 | 5.375 | Consult Factory | 3.25 | 94 | 43 | MX 0302 XXXX XX |
| 3 | 7.375 | Consult Factory | 4.78 | 117 | 53 | MX 0303 XXXX XX |
| 4 x 2 | 5.375 | Consult Factory | 3.25 | 117 | 53 | MX 0402 XXXX XX |
| 4 x 3 | 7.375 | Consult Factory | 4.78 | 136 | 62 | MX 0403 XXXX XX |
| 4 | 9.813 | Consult Factory | 6.14 | 190 | 86 | MX 0404 XXXX XX |
| 6 x 2 | 5.375 | Consult Factory | 3.25 | 155 | 70 | MX 0602 XXXX XX |
| 6 x 3 | 7.375 | Consult Factory | 4.78 | 178 | 81 | MX 0603 XXXX XX |
| 6 x 4 | 9.813 | Consult Factory | 6.14 | 190 | 86 | MX 0604 XXXX XX |
| 6 | 13.125 | Consult Factory | 8.78 | 237 | 108 | MX 0606 XXXX XX |
| 8 x 2 | 5.375 | Consult Factory | 3.25 | 187 | 85 | MX 0802 XXXX XX |
| 8 x 3 | 7.375 | Consult Factory | 4.78 | 213 | 97 | MX 0803 XXXX XX |
| 8 x 4 | 9.813 | Consult Factory | 6.14 | 255 | 116 | MX 0804 XXXX XX |
| 8 x 6 | 13.125 | Consult Factory | 8.78 | 275 | 125 | MX 0806 XXXX XX |
| 8 | 14.375 | Consult Factory | 10.84 | 379 | 172 | MX 0808 XXXX XX |
| 10 x 2 | 5.375 | Consult Factory | 3.25 | 204 | 93 | MX 1002 XXXX XX |
| 10 x 3 | 7.375 | Consult Factory | 4.78 | 232 | 105 | MX 0303 XXXX XX |
| 10 x 4 | 9.813 | Consult Factory | 6.14 | 277 | 126 | MX 1004 XXXX XX |
| 10 x 6 | 13.125 | Consult Factory | 8.78 | 297 | 135 | MX 1006 XXXX XX |
| 10 x 8 | 14.375 | Consult Factory | 10.84 | 404 | 184 | MX 1008 XXXX XX |
| 10 | 17.500 | Consult Factory | 14.88 | 465 | 211 | MX 1010 XXXX XX |
| 12 x 2 | 5.375 | Consult Factory | 3.25 | 249 | 113 | MX 1202 XXXX XX |
| 12 x 3 | 7.375 | Consult Factory | 4.78 | 278 | 126 | MX 1203 XXXX XX |
| 12 x 4 | 9.813 | Consult Factory | 6.14 | 324 | 147 | MX 1204 XXXX XX |
| 12 x 6 | 13.125 | Consult Factory | 8.78 | 344 | 156 | MX 1206 XXXX XX |
| 12 x 8 | 14.375 | Consult Factory | 10.84 | 352 | 160 | MX 1208 XXXX XX |
| 12 x 10 | 17.505 | Consult Factory | 14.88 | 513 | 233 | MX 1210 XXXX XX |
| 12 | 19.125 | Consult Factory | 15.88 | 661 | 300 | MX 1212 XXXX XX |





Legend of Part Numbers

| | |
|-------|--|
| MA | Top Seal -- Type IIA Flange |
| MB | Top Seal -- Type IIA Flange (3-WAY Tee) |
| MC | Top Seal -- RFWN Flange |
| MD | Top Seal -- Type I SHORTSTOPP Flange |
| ME | Top Seal -- Cam Flange |
| MF | End Seal -- Type IIA Flange |
| MG | End Seal -- Type IIA Flange (3-WAY Tee) |
| MH | End Seal -- RFWN Flange |
| MI | End Seal -- Type I SHORTSTOPP Flange |
| MJ | End Seal -- Cam Flange |
| -XXXX | Next 4 characters represent run size & branch size |
| -XXXX | Pipe OD inches and two place decimal |
| -XX | Suffix number shown below |

Legend of Suffix Meanings

| | |
|----|--|
| 00 | Primer Coating, Carbon Steel Hardware, Thin Wall Outlet |
| 01 | Epoxy Coating, Stainless Steel Hardware, Thin Wall Outlet |
| 02 | Primer Coating, Carbon Steel Hardware, PVC Ready, Thin Wall Outlet |
| 03 | Epoxy Coating, Stainless Steel Hardware, PVC Ready, Thin Wall Outlet |
| 04 | Primer Coating, Carbon Steel Hardware, UPONOR 2406 Transition |
| 05 | Primer Coating, Stainless Steel Hardware, UPONOR 3408 Transition |
| 06 | Epoxy Coating, Stainless Steel Hardware, UPONOR 2406 Transition |
| 07 | Epoxy Coating, Stainless Steel Hardware, UPONOR 3408 Transition |
| 08 | Primer Coating, Carbon Steel Hardware, UPONOR 2406 Transition, PVC ready |
| 09 | Primer Coating, Carbon Steel Hardware, UPONOR 3408 Transition, PVC ready |
| 10 | Epoxy Coating, Stainless Steel Hardware, UPONOR 2406 Transition, PVC ready |
| 11 | Epoxy Coating, Stainless Steel Hardware, UPONOR 3408 Transition, PVC ready |
| 12 | Primer Coating, Carbon Steel Hardware, CENTRAL 2406 Transition |
| 13 | Primer Coating, Carbon Steel Hardware, CENTRAL 3408 Transition |
| 14 | Epoxy Coating, Stainless Steel Hardware, CENTRAL 2406 Transition |
| 15 | Epoxy Coating, Stainless Steel Hardware, CENTRAL 3408 Transition |
| 16 | Primer Coating, Carbon Steel Hardware, CENTRAL 2406 Transition, PVC ready |
| 17 | Primer Coating, Carbon Steel Hardware, CENTRAL 3408 Transition, PVC ready |
| 18 | Epoxy Coating, Stainless Steel Hardware, CENTRAL 2406 Transition, PVC ready |
| 19 | Epoxy Coating, Stainless Steel Hardware, CENTRAL 3408 Transition, PVC ready |
| 20 | Primer Coating, Carbon Steel Hardware, Sch. 40 x 12-inch Transition by JCM |
| 21 | Epoxy Coating, Stainless Steel Hardware, Sch. 40 x 12-inch Transition by JCM |

Valve-to-Fitting Adapters for 4- through 12-inches

| Nominal Size | D/N | Wt./ Lb. | Wt./Kg. | Part Number |
|--------------|-----------|----------|---------|--------------|
| Inches | | | | |
| 4 | 100 | 10 | 5 | 06-5724-0001 |
| 6 | 150 | 13 | 6 | 06-5724-0002 |
| 8 | 200 | 14 | 11 | 06-5724-0003 |
| 10 | 250 | 40 | 18 | 06-5724-0010 |
| 12 | 300 | 55 | 25 | 06-5724-0011 |
| 4 x 6 | 100 x 150 | 18 | 8 | 06-5724-0007 |
| 6 x 8 | 150 x 200 | 28-1/2 | 13 | 06-5724-0004 |
| 10 x 12 | 250 x 300 | 70 | 32 | 06-5724-0012 |

Spare Completion Plug O-Rings & Blind Flange Gaskets

| Nominal Size | O-Ring | Gasket | |
|--------------|-----------|--------------|--------------|
| Inches | D/N | Part Number | |
| 1-1/4 | 32 | 00-0117-0014 | |
| 1-1/2 | 38 | 00-0117-0010 | |
| 2 | 50 | 00-0117-0010 | |
| 3 | 80 | 00-0117-0013 | |
| 4 | 100 | 00-1250-0001 | 00-5238-0004 |
| 6 | 150 | 00-1250-0002 | 00-5238-0006 |
| 8 | 200 | 00-1250-0003 | 00-5238-0008 |
| 10 | 250 | 00-1250-0004 | 00-5238-0010 |
| 12 | 300 | 00-1250-0005 | 00-5238-0012 |
| 3 x 4 | 80 x 100 | 00-0117-0013 | |
| 4 x 6 | 100 x 150 | 00-1250-0001 | 00-5238-0004 |
| 6 x 8 | 150 x 200 | 00-1250-0002 | 00-5238-0006 |
| 8 x 10 | 200 x 250 | 00-1250-0003 | 00-5238-0008 |
| 8 x 12 | 200 x 300 | 00-1250-0003 | 00-5238-0008 |