

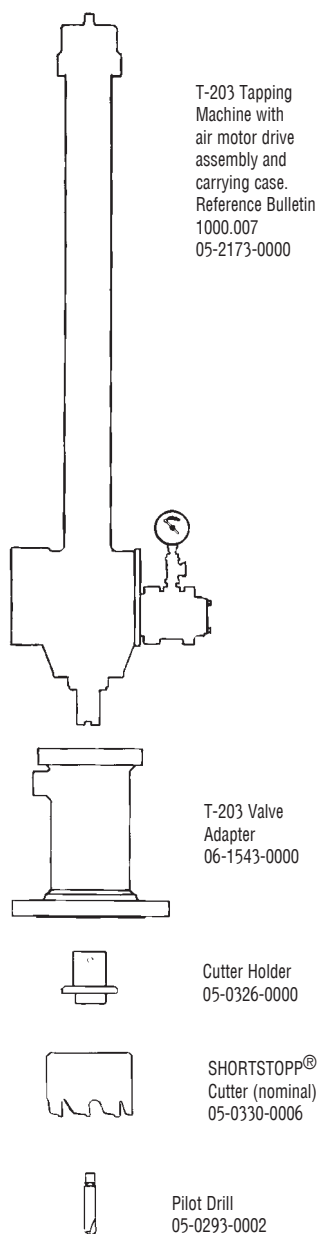
Tapping and ProStopp DS™



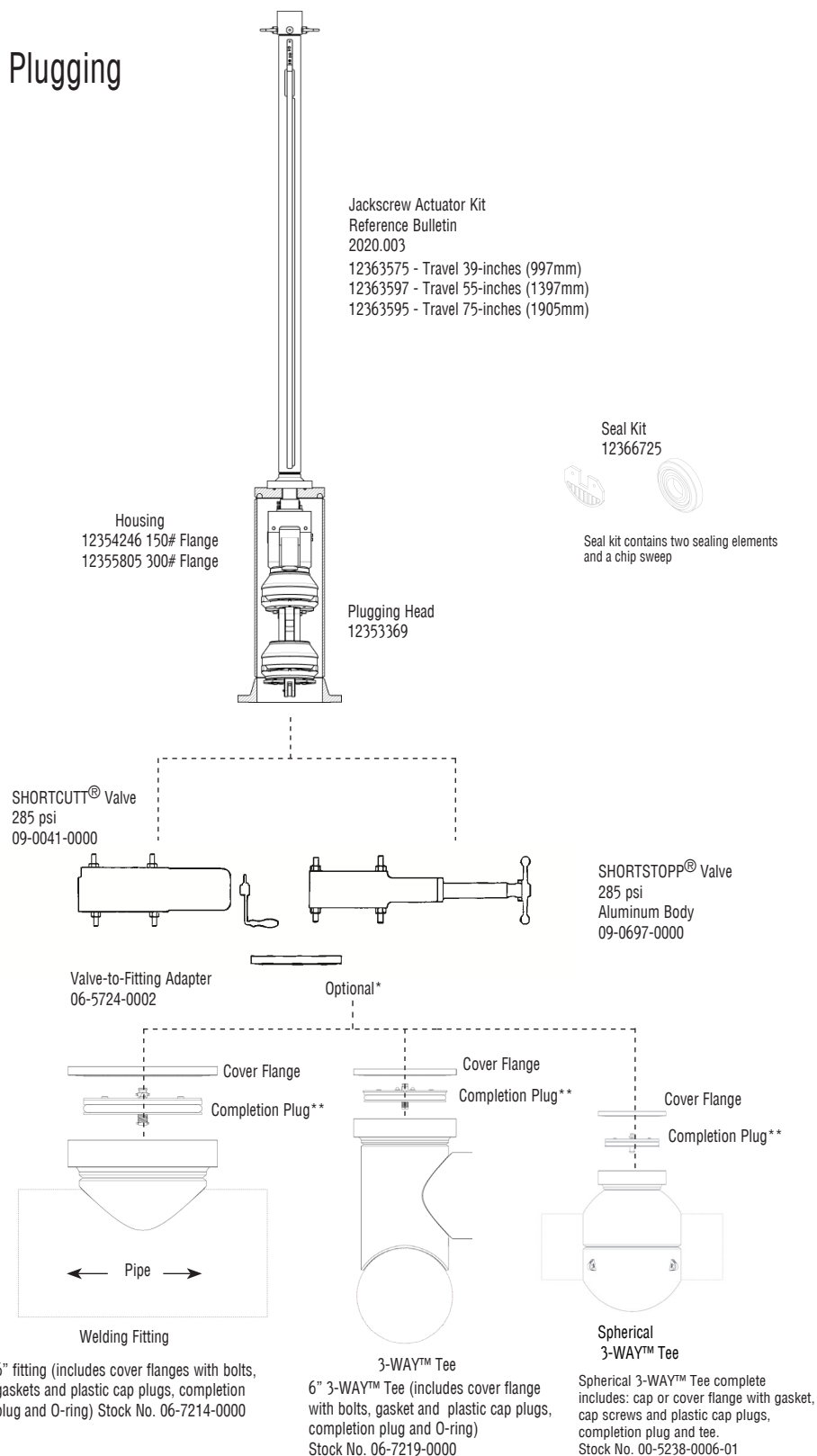
Equipment Needed to Plug a 6" Gas Main to 285 psi

Technical Datasheet
Date: June 2020

Tapping




Plugging





ProStopp DS


6" Gas Main to 285 psi


- 

Optional 

■ **Welding Fitting and SHORTPLUG™ with Guide Bars**
See Bulletin 2100.013


Fitting (includes cover flanges with bolts, gaskets and plastic caplugs, completion plug and O-ring)

■ **Welding Fitting**
See Bulletin 2100.003
- 

Optional 


■ **Spherical 3-WAY™ Tee and SHORTPLUG™ with Guide Bars**
See Bulletin 2100.014

■ **Spherical 3-WAY™ Tee**
See Bulletin 2100.007
- 

Optional 

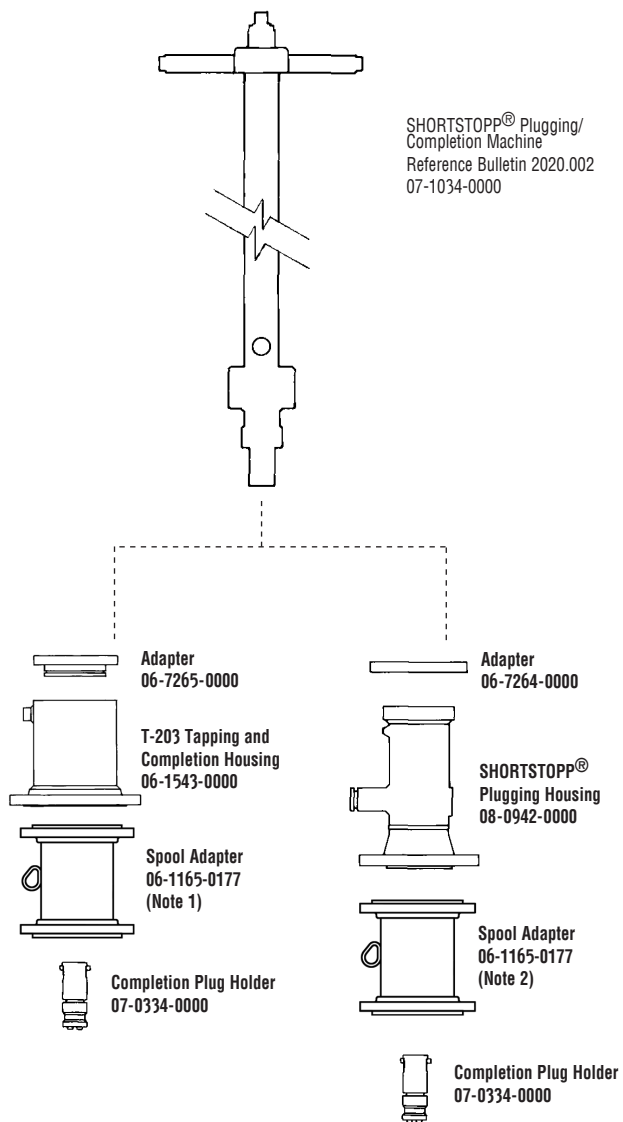
■ **3-WAY™ Tee and SHORTPLUG™ with Guide Bars**
See Bulletin 2100.012

3-WAY™ Tee (includes cover flange with bolts, gasket and plastic caplugs, completion plug and O-ring)

■ **3-WAY™ Tee**
See Bulletin 2100.002
- 

■ **Mechanical SHORTSLEEVE™ Fitting**
See Bulletin 2110.001

Completion



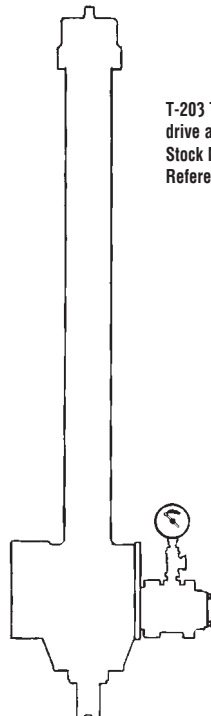
■ Note: Consult your TDW representative for additional fitting options.



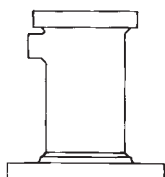
Tapping and ProStopp DS™

Equipment Needed to Plug a 8" Gas Main to 285 psi

Tapping



T-203 Tapping Machine with air motor drive assembly and carrying case.
Stock No. 05-2173-0000
Reference Bulletin 1000.007



8" Valve Adapter
06-1544-0000



Cutter Holder
05-0326-0000

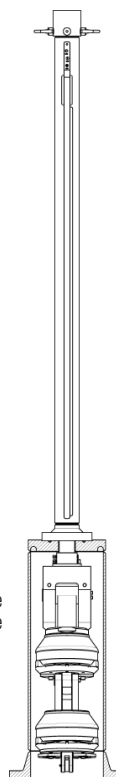


8" SHORTSTOPP®
Cutter (nominal)
05-0330-0008



Pilot Drill
05-0293-0003

Plugging



Jackscrew Actuator
Reference Bulletin
2020.003
12363575 - Travel 39-inches (997mm)
12363597 - Travel 55-inches (1397mm)
12363595 - Travel 75-inches (1905mm)

Housing
12355404 150# Flange
12355951 300# Flange

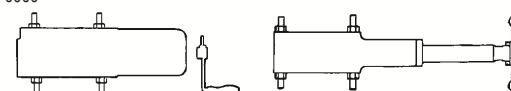
Plugging Head
12355257



Seal Kit
12366726

Seal kit contains two sealing elements and a chip sweep

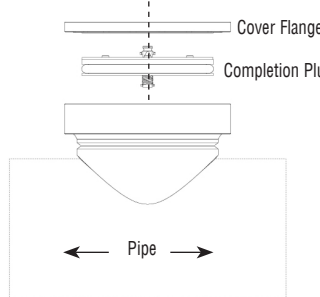
SHORTCUTT® Valve
285 psi
09-0042-0000



Valve-to-Fitting Adapter
06-5724-0003

Optional*

SHORTSTOPP® Valve
285 psi
Aluminum Body
09-0697-0000



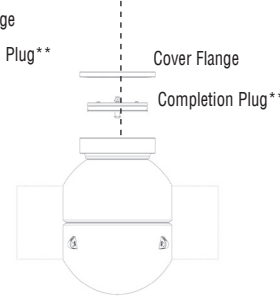
Welding Fitting

8" fitting (includes cover flanges with bolts, gaskets and plastic cap plugs, completion plug and O-ring) Stock No. 06-7215-0000



3-WAY™ Tee

8" 3-WAY™ Tee (includes cover flange with bolts, gasket and plastic cap plugs, completion plug and O-ring) Stock No. 06-7222-0000



Spherical 3-WAY™ Tee

Spherical 3-WAY™ Tee complete includes: cap or cover flange with gasket, cap screws and plastic cap plugs, completion plug and tee. Stock No. 00-5238-0008-01



ProStopp DS

8" Gas Main to 285 psi

Optional

- Welding Fitting and SHORTPLUG™ with Guide Bars
See Bulletin 2100.013

Fitting (includes cover flanges with bolts, gaskets and plastic caplugs, completion plug and O-ring)

- Welding Fitting
See Bulletin 2100.003

Optional

- Spherical 3-WAY™ Tee and SHORTPLUG™ with Guide Bars
See Bulletin 2100.014

- Spherical 3-WAY™ Tee
See Bulletin 2100.007

Optional

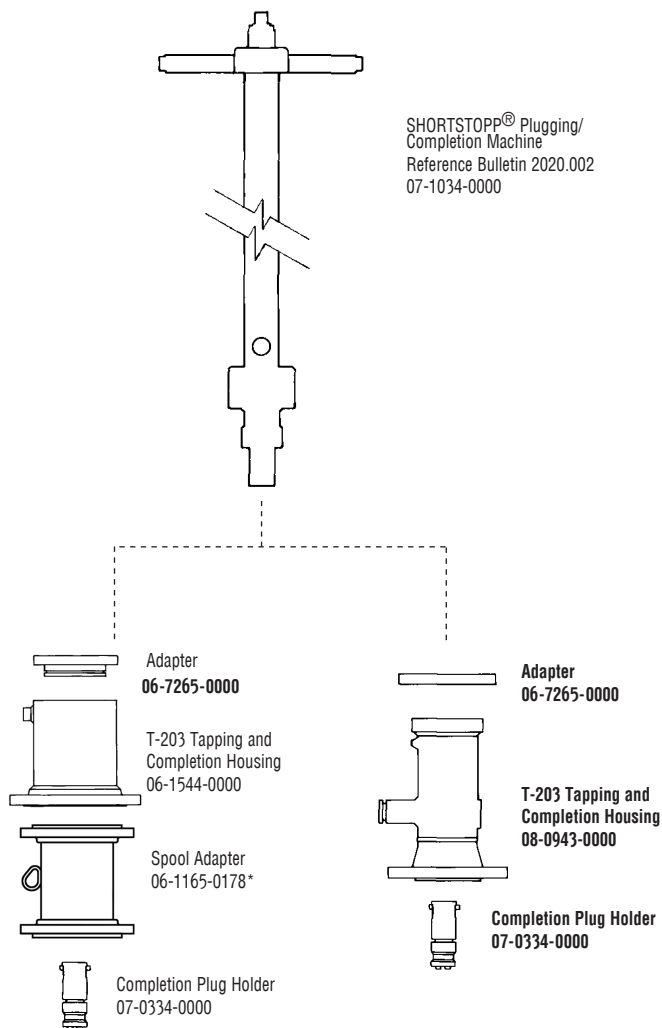
- 3-WAY™ Tee and SHORTPLUG™ with Guide Bars
See Bulletin 2100.012

3-WAY™ Tee (includes cover flange with bolts, gasket and plastic caplugs, completion plug and O-ring)

- 3-WAY™ Tee
See Bulletin 2100.002

- Mechanical SHORTSLEEVE™ Fitting
See Bulletin 2110.001

Completion



* 8-inch Spool Adapter required to set 8-inch SHORTPLUG™ with Guide Bars in SHORTSTOPP Type II 3-Way™ Tee fittings using the 06-1544-0000 Adapter.

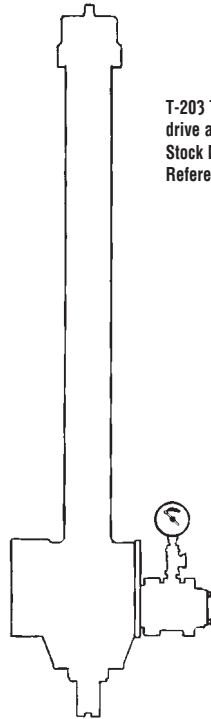
■ Note: Consult your TDW representative for additional fitting options.



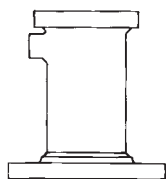
Tapping and ProStopp DS™

Equipment Needed to Plug a 10" Gas Main to 285 psi

Tapping



T-203 Tapping Machine with air motor drive assembly and carrying case.
Stock No. 05-2173-0000
Reference Bulletin 1000.007



12" Valve Adapter
06-1546-0000



Cutter Holder
05-0326-0000

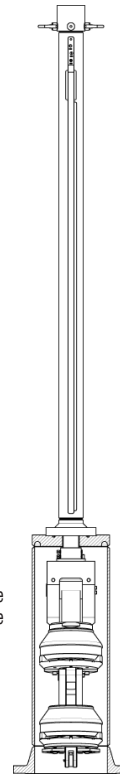


10" SHORTSTOPP®
Cutter (nominal)
05-0330-0010



Pilot Drill
05-0293-0004

Plugging



Jackscrew Actuator
Reference Bulletin
2020.003
12363575 - Travel 39-inches (997mm)
12363597 - Travel 55-inches (1397mm)
12363595 - Travel 75-inches (1905mm)

Housing
12351505 150# Flange
12358642 300# Flange

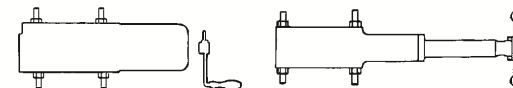
Plugging Head
12357565



Seal Kit
12366727

Seal kit contains two sealing elements and a chip sweep

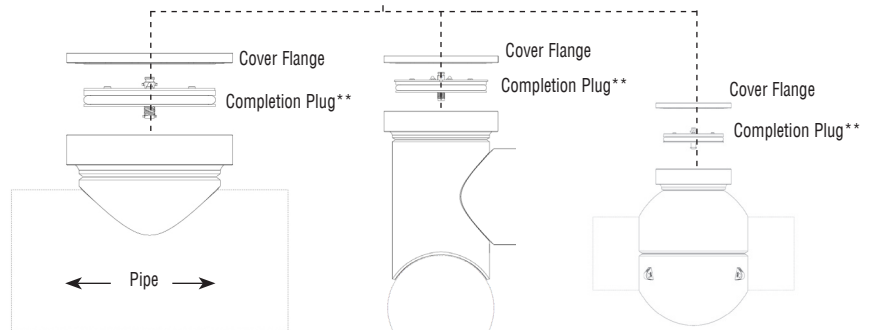
SHORTCUTT® Valve
285 psi
09-0044-0000



Valve-to-Fitting Adapter
06-5724-0012

Optional*

SHORTSTOPP® Valve
285 psi
Aluminum Body
09-0697-0000



10" fitting (includes cover flanges with bolts, gaskets and plastic cap plugs, completion plug and O-ring) Stock No. 06-7216-0000


10" 3-WAY™ Tee (includes cover flange with bolts, gasket and plastic cap plugs, completion plug and O-ring) Stock No. 06-7221-0000

Spherical 3-WAY™ Tee complete includes: cap or cover flange with gasket, cap screws and plastic cap plugs, completion plug and tee. Stock No. 00-5238-0010-01



ProStopp DS


10" Gas Main to 285 psi

- 

Optional

■ Welding Fitting and SHORTPLUG™ with Guide Bars
See Bulletin 2100.013

Fitting (includes cover flanges with bolts, gaskets and plastic caplugs, completion plug and O-ring)

■ Welding Fitting
See Bulletin 2100.003
- 

Optional

■ Spherical 3-WAY™ Tee and SHORTPLUG™ with Guide Bars
See Bulletin 2100.014

■ Spherical 3-WAY™ Tee
See Bulletin 2100.007
- 

Optional

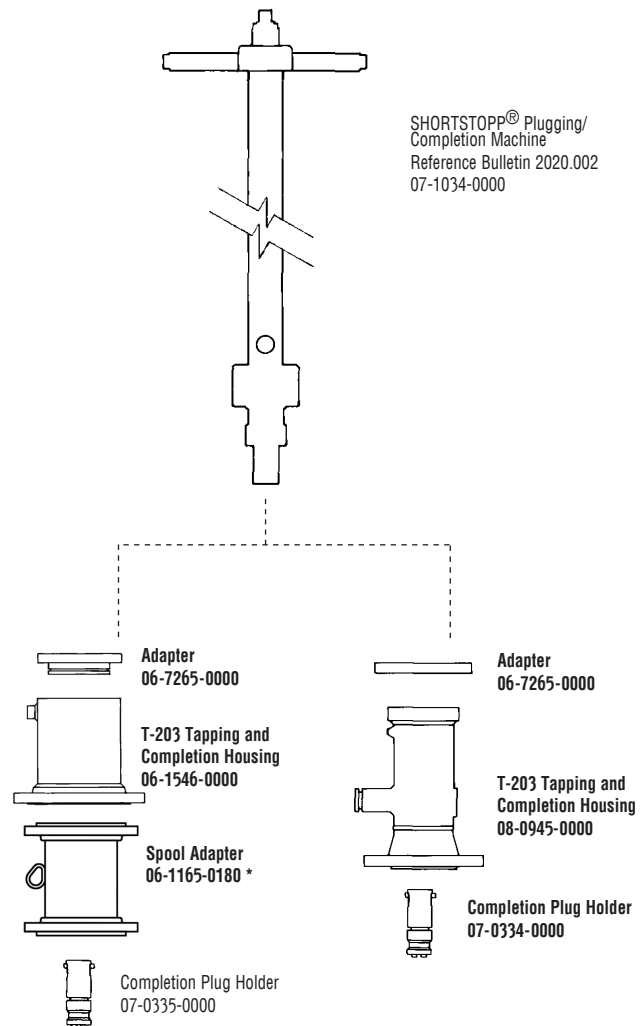
■ 3-WAY™ Tee and SHORTPLUG™ with Guide Bars
See Bulletin 2100.012

3-WAY™ Tee (includes cover flange with bolts, gasket and plastic caplugs, completion plug and O-ring)

■ 3-WAY™ Tee
See Bulletin 2100.002
- 

■ Mechanical SHORTSLEEVE™ Fitting
See Bulletin 2110.001

Completion



■ * 12-inch Spool Adapter required to set 10-inch SHORTPLUG™ with Guide Bars in SHORTSTOPP Type II 3-Way™ Tee fittings using the 06-1546-0000 Adapter and 07-1586-0000 Completion Machine

■ Note: Consult your TDW representative for additional fitting options.

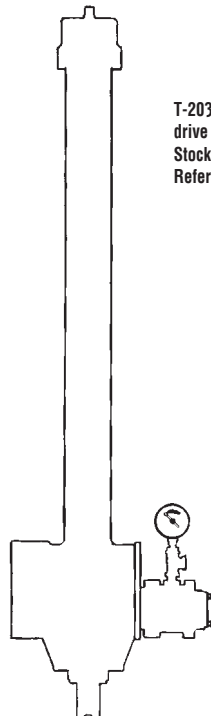
Note 2: The 07-1586-0000 Completion Machine with 48" travel is required to set 10" SHORTPLUG™ with Guide Bars in SHORTSTOPP Type II 3-Way™ Tee fittings using the 06-1546-0000 Adapter.



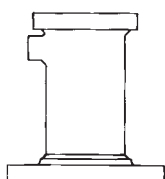
Tapping and ProStopp DS™

Equipment Needed to Plug a 12" Gas Main to 285 psi

Tapping



T-203 Tapping Machine with air motor drive assembly and carrying case.
Stock No. 05-2173-0000
Reference Bulletin 1000.007



12" Valve Adapter
06-1546-0000



Cutter Holder
05-0326-0000

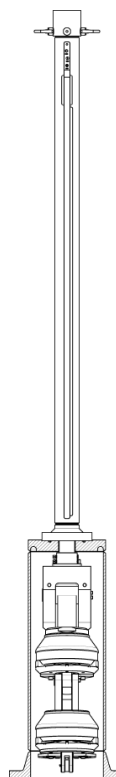


12" SHORTSTOPP®
Cutter (nominal)
05-0330-0012



Pilot Drill
05-0293-0005

Plugging



Jackscrew Actuator
Reference Bulletin
2020.003
12363575 - Travel 39-inches (997mm)
12363597 - Travel 55-inches (1397mm)
12363595 - Travel 75-inches (1905mm)

Housing
12351505 150# Flange
12358642 300# Flange

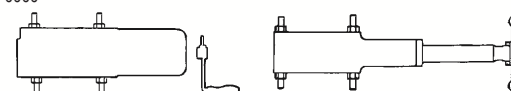
Plugging Head
12350480



Seal Kit
12366728

Seal kit contains two sealing elements and a chip sweep

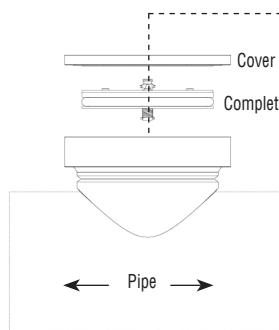
SHORTCUTT® Valve
285 psi
09-0044-0000



Valve-to-Fitting Adapter
06-5724-0011

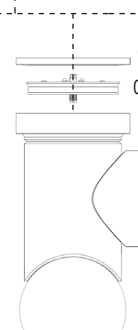
Optional*

SHORTSTOPP® Valve
285 psi
Aluminum Body
09-0697-0000



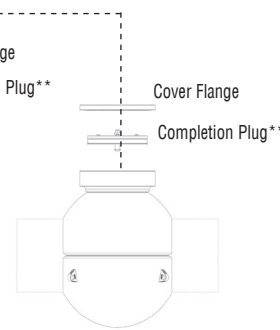
Welding Fitting

12" fitting (includes cover flanges with bolts, gaskets and plastic cap plugs, completion plug and O-ring) Stock No. 06-7217-0000



3-WAY™ Tee

12" 3-WAY™ Tee (includes cover flange with bolts, gasket and plastic cap plugs, completion plug and O-ring) Stock No. 06-7222-0000



Spherical 3-WAY™ Tee

Spherical 3-WAY™ Tee complete includes: cap or cover flange with gasket, cap screws and plastic capplugs, completion plug and tee. Stock No. 00-5238-0012-01



ProStopp DS

12" Gas Main to 285 psi

- **Welding Fitting**
See Bulletin 2100.003

Optional

■ **Welding Fitting and SHORTPLUG™ with Guide Bars**
See Bulletin 2100.013

Fitting (includes cover flanges with bolts, gaskets and plastic caplugs, completion plug and O-ring)
- **Spherical 3-WAY™ Tee**
See Bulletin 2100.007

Optional

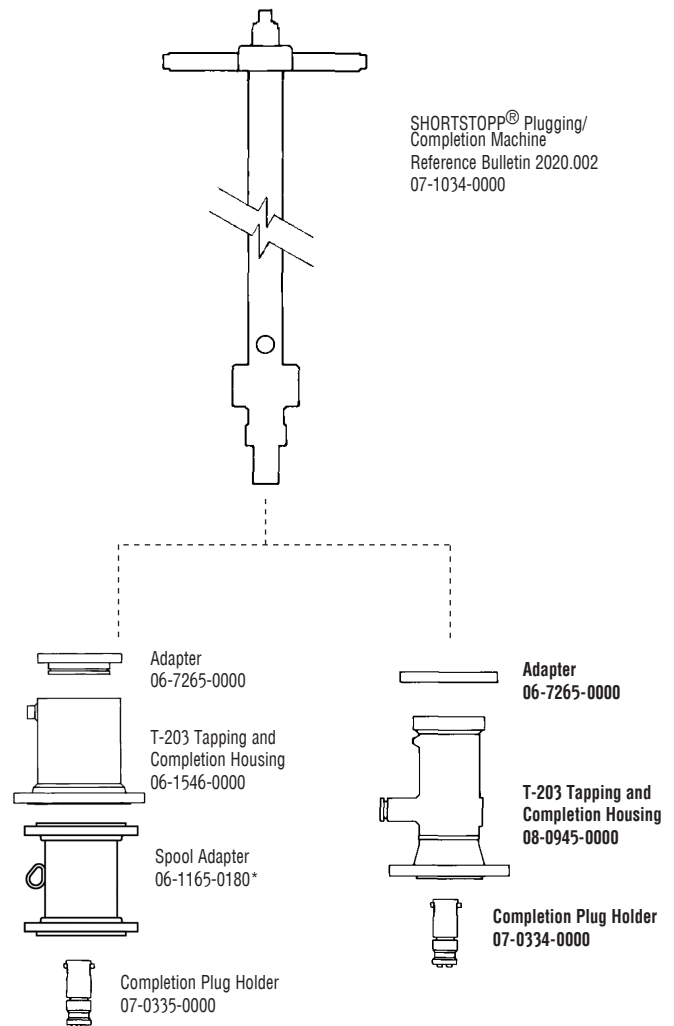
■ **Spherical 3-WAY™ Tee and SHORTPLUG™ with Guide Bars**
See Bulletin 2100.014
- **3-WAY™ Tee**
See Bulletin 2100.002

Optional

■ **3-WAY™ Tee and SHORTPLUG™ with Guide Bars**
See Bulletin 2100.012

3-WAY™ Tee (includes cover flange with bolts, gasket and plastic caplugs, completion plug and O-ring)
- **Mechanical SHORTSLEEVE™ Fitting**
See Bulletin 2110.001

Completion



■ * 12-inch Spool Adapter required to set 12-inch SHORTPLUG™ with Guide Bars in SHORTSTOPP Type II 3-Way™ Tee fittings using the 06-1546-0000 Adapter and 07-1586-0000 Completion Machine

■ Note: Consult your TDW representative for additional fitting options.

Note 2: The 07-1586-0000 Completion Machine with 48" travel is required to set 12" SHORTPLUG™ with Guide Bars in SHORTSTOPP Type II 3-Way™ Tee fittings using the 06-1546-0000 Adapter.