



# D2000 Quick-actuating Closures

## Sizes: 4- to 30- inch

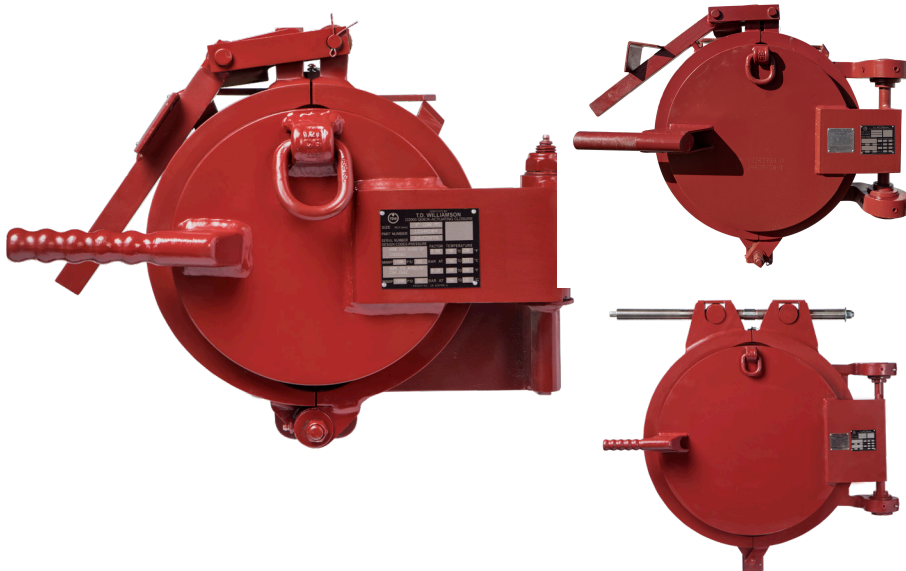


T.D. Williamson

Bulletin No: **5100.003.07**

Version: 06.2020

Supersedes: 5100.003.06 (04.2019)



■ D2000 Quick-actuating Closures

### Description

The T.D. Williamson quick-actuating closure is easily operated by one person. The closure is designed primarily for horizontal installation, meaning the door swings open on the horizontal axis. However, the closure may be installed on a vertical installation. In the latter case, a counterbalance can be provided to facilitate opening.

### Features

The closure, available in sizes 4-inch to 48-inch, offers important advantages:

**A reliable seal** – The large, cross-sectional diameter O-ring located on the periphery of the closure's barrel collar provides positive sealing as well as protection from damage by tools, pigs or debris.

**Pressure indicating device** – The closure is equipped with a pressure warning lock, in accordance with UG-35 of ASME BPVC Sect. VIII, Div. 1, to alert the operator to the existence of internal pressure prior to opening the closure.

**Safe, reliable operation** – After being safely depressurized, the D2000 closure can be opened or closed in a single motion while the operator stands safely to the side.

The closure features a lever-type actuator on sizes 4- to 30-inches. Sizes 32-inches and larger have a door assist. 24- through 30-inch closures can also come with an optional side screw assist feature.

### Options

T.D. Williamson is committed to providing you with the exact product to assist you in planning, budgeting and meeting the specifications for your individual application needs.

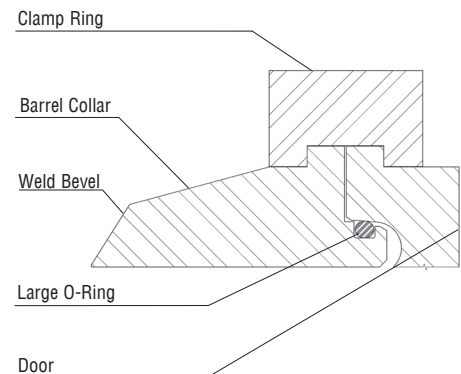
Expanded Mechanical Options:

- Flanged Closure
- Side screw assist optional for 24-inch to 30-inch Closures

Expanded Range of Applications:

- ASME B31.4/31.8 and CSA Z662 Category II, 0.5 and 0.6 design factors, ANSI Class 600
- Standard ASME BPVC Sec. VIII Div 1 U-Stamp on door
- NACE MR0175 compliant
- -50 to +250 F (-45.5 to 121 C)

Consult factory for optional items.



## Dimensions and Part Numbers

### 4- through 8-inch ASME B31.4/B31.8/CSA Z662 Cat. II



T.D. Williamson

5100.003- p2

| Size (inch) | Part Number | Matching Wall Thickness | Hinge Orientation | Design Pressure at DF = .6 (psi) | Design Pressure at DF = .5 (psi) | Options |
|-------------|-------------|-------------------------|-------------------|----------------------------------|----------------------------------|---------|
| 4           | 12342253    | .337in                  | RH                | 1480                             | 1480                             |         |
| 4           | 12342254    | .237in                  | RH                | 1480                             | 1480                             |         |
| 4           | 12342255    | .188in                  | RH                | 1480                             | 1480                             |         |
| 4           | 12342259    | .337in                  | LH                | 1480                             | 1480                             |         |
| 4           | 12342260    | .237in                  | LH                | 1480                             | 1480                             |         |
| 4           | 12342261    | .188in                  | LH                | 1480                             | 1480                             |         |
| 4           | 12345158    | 600lb RF                | RH                | 1480                             | 1480                             | *       |
| 4           | 12345160    | 600lb RF                | LH                | 1480                             | 1480                             | *       |
| 6           | 12342233    | .432in                  | RH                | 1480                             | 1480                             |         |
| 6           | 12342234    | .375in                  | RH                | 1480                             | 1480                             |         |
| 6           | 12342235    | .280in                  | RH                | 1480                             | 1480                             |         |
| 6           | 12342236    | .250in                  | RH                | 1480                             | 1480                             |         |
| 6           | 12342237    | .188in                  | RH                | 1480                             | 1480                             |         |
| 6           | 12342243    | .432in                  | LH                | 1480                             | 1480                             |         |
| 6           | 12342244    | .375in                  | LH                | 1480                             | 1480                             |         |
| 6           | 12342245    | .280in                  | LH                | 1480                             | 1480                             |         |
| 6           | 12342246    | .250in                  | LH                | 1480                             | 1480                             |         |
| 6           | 12342247    | .188in                  | LH                | 1480                             | 1480                             |         |
| 6           | 12345162    | 600lb RF                | RH                | 1480                             | 1480                             | *       |
| 6           | 12345164    | 600lb RF                | LH                | 1480                             | 1480                             | *       |
| 8           | 12340503    | .500in                  | RH                | 1480                             | 1480                             |         |
| 8           | 12340913    | .438in                  | RH                | 1480                             | 1480                             |         |
| 8           | 12340914    | .375in                  | RH                | 1480                             | 1480                             |         |
| 8           | 12340915    | .322in                  | RH                | 1480                             | 1480                             |         |
| 8           | 12340916    | .250in                  | RH                | 1480                             | 1480                             |         |
| 8           | 12340917    | .188in                  | RH                | 1480                             | 1480                             |         |
| 8           | 12340946    | .500in                  | LH                | 1480                             | 1480                             |         |
| 8           | 12340947    | .438in                  | LH                | 1480                             | 1480                             |         |
| 8           | 12340948    | .375in                  | LH                | 1480                             | 1480                             |         |

**NOTICE: See additional O-ring part number table on page 17 for common O-ring options (must be ordered separately). Other O-ring materials are also available on a special-order basis.**

#### Dimensions and Weights

| Size | Wt (Lbs) | H x W x L   |
|------|----------|-------------|
| 4    | 60       | 8 x 12 x 16 |
| 6    | 75       | 8 x 14 x 18 |
| 8    | 120      | 8 x 16 x 20 |

\* Flanged

Maximum test pressure is 1.5 times design pressure.

## Dimensions and Part Numbers



T.D. Williamson

5100.003- p3

### 8- through 12-inch ASME B31.4/B31.8/CSA Z662 Cat. II

| Size (inch) | Part Number | Matching Wall Thickness | Hinge Orientation | Design Pressure at DF = .6 (psi) | Design Pressure at DF = .5 (psi) | Options |
|-------------|-------------|-------------------------|-------------------|----------------------------------|----------------------------------|---------|
| 8           | 12340949    | .322in                  | LH                | 1480                             | 1480                             |         |
| 8           | 12340950    | .250in                  | LH                | 1480                             | 1480                             |         |
| 8           | 12340951    | .188in                  | LH                | 1480                             | 1480                             |         |
| 8           | 12345166    | 600lb RF                | RH                | 1480                             | 1480                             | *       |
| 8           | 12345168    | 600lb RF                | LH                | 1480                             | 1480                             | *       |
| 10          | 12342265    | .500in                  | RH                | 1480                             | 1480                             |         |
| 10          | 12342266    | .438in                  | RH                | 1480                             | 1480                             |         |
| 10          | 12342267    | .365in                  | RH                | 1480                             | 1480                             |         |
| 10          | 12342268    | .313in                  | RH                | 1480                             | 1480                             |         |
| 10          | 12342269    | .250in                  | RH                | 1480                             | 1480                             |         |
| 10          | 12342270    | .188in                  | RH                | 1480                             | 1480                             |         |
| 10          | 12342277    | .500in                  | LH                | 1480                             | 1480                             |         |
| 10          | 12342278    | .438in                  | LH                | 1480                             | 1480                             |         |
| 10          | 12342279    | .365in                  | LH                | 1480                             | 1480                             |         |
| 10          | 12342280    | .313in                  | LH                | 1480                             | 1480                             |         |
| 10          | 12342281    | .250in                  | LH                | 1480                             | 1480                             |         |
| 10          | 12342282    | .188in                  | LH                | 1480                             | 1480                             |         |
| 10          | 12345170    | 600lb RF                | RH                | 1480                             | 1480                             | *       |
| 10          | 12345172    | 600lb RF                | LH                | 1480                             | 1480                             | *       |
| 12          | 12342290    | .500in                  | RH                | 1480                             | 1480                             |         |
| 12          | 12342291    | .437in                  | RH                | 1480                             | 1480                             |         |
| 12          | 12342292    | .375in                  | RH                | 1480                             | 1480                             |         |
| 12          | 12342293    | .312in                  | RH                | 1480                             | 1480                             |         |
| 12          | 12342294    | .250in                  | RH                | 1480                             | 1480                             |         |
| 12          | 12342300    | .500in                  | LH                | 1480                             | 1480                             |         |
| 12          | 12342301    | .437in                  | LH                | 1480                             | 1480                             |         |
| 12          | 12342302    | .375in                  | LH                | 1480                             | 1480                             |         |
| 12          | 12342303    | .313in                  | LH                | 1480                             | 1480                             |         |
| 12          | 12342304    | .250in                  | LH                | 1480                             | 1480                             |         |
| 12          | 12345174    | 600lb RF                | RH                | 1480                             | 1480                             | *       |
| 12          | 12345176    | 600lb RF                | LH                | 1480                             | 1480                             | *       |

#### Dimensions and Weights

| Size | Wt (Lbs) | H x W x L   |
|------|----------|-------------|
| 10   | 160      | 8 x 19 x 23 |
| 12   | 200      | 8 x 21 x 25 |

\* Flanged

Maximum test pressure is 1.5 times design pressure.

## Dimensions and Part Numbers



T.D. Williamson

5100.003 - p4

### 14- through 18-inch ASME B31.4/B31.8/CSA Z662 Cat. II

| Size (inch) | Part Number | Matching Wall Thickness | Hinge Orientation | Design Pressure at DF = .6 (psi) | Design Pressure at DF = .5 (psi) | Options |
|-------------|-------------|-------------------------|-------------------|----------------------------------|----------------------------------|---------|
| 14          | 12342310    | .500in                  | RH                | 1480                             | 1480                             |         |
| 14          | 12342311    | .438in                  | RH                | 1480                             | 1480                             |         |
| 14          | 12342312    | .375in                  | RH                | 1480                             | 1480                             |         |
| 14          | 12342313    | .313in                  | RH                | 1480                             | 1480                             |         |
| 14          | 12342314    | .250in                  | RH                | 1480                             | 1480                             |         |
| 14          | 12342320    | .500in                  | LH                | 1480                             | 1480                             |         |
| 14          | 12342321    | .438in                  | LH                | 1480                             | 1480                             |         |
| 14          | 12342322    | .375in                  | LH                | 1480                             | 1480                             |         |
| 14          | 12342323    | .313in                  | LH                | 1480                             | 1480                             |         |
| 14          | 12342324    | .250in                  | LH                | 1480                             | 1480                             |         |
| 14          | 12345178    | 600lb                   | RH                | 1480                             | 1480                             | *       |
| 14          | 12345180    | 600lb                   | LH                | 1480                             | 1480                             | *       |
| 16          | 12342330    | .750in                  | RH                | 1480                             | 1480                             |         |
| 16          | 12342331    | .625in                  | RH                | 1480                             | 1480                             |         |
| 16          | 12342332    | .500in                  | RH                | 1480                             | 1480                             |         |
| 16          | 12342333    | .375in                  | RH                | 1480                             | 1480                             |         |
| 16          | 12342338    | .750in                  | LH                | 1480                             | 1480                             |         |
| 16          | 12342339    | .625in                  | LH                | 1480                             | 1480                             |         |
| 16          | 12342340    | .500in                  | LH                | 1480                             | 1480                             |         |
| 16          | 12342341    | .375in                  | LH                | 1480                             | 1480                             |         |
| 16          | 12345182    | 600lb RF                | RH                | 1480                             | 1480                             | *       |
| 16          | 12345184    | 600lb RF                | LH                | 1480                             | 1480                             | *       |
| 18          | 12342346    | .750in                  | RH                | 1480                             | 1480                             |         |
| 18          | 12342347    | .625in                  | RH                | 1480                             | 1480                             |         |
| 18          | 12342348    | .500in                  | RH                | 1480                             | 1480                             |         |
| 18          | 12342349    | .375in                  | RH                | 1480                             | 1480                             |         |
| 18          | 12342350    | .250in                  | RH                | 1480                             | 1250                             |         |
| 18          | 12342356    | .750in                  | LH                | 1480                             | 1480                             |         |
| 18          | 12342357    | .625in                  | LH                | 1480                             | 1480                             |         |
| 18          | 12342358    | .500in                  | LH                | 1480                             | 1480                             |         |

#### Dimensions and Weights

| Size | Weight (Lbs) | H x W x L    |
|------|--------------|--------------|
| 14   | 260          | 10 x 22 x 26 |
| 16   | 420          | 11 x 29 x 34 |
| 18   | 550          | 12 x 31 x 35 |

\* Flanged

Maximum test pressure is 1.5 times design pressure.

## Dimensions and Part Numbers



T.D. Williamson

5100.003 - p5

### 18- through 24-inch

### ASME B31.4/B31.8/CSA Z662 Cat. II

| Size (inch) | Part Number | Matching Wall Thickness | Hinge Orientation | Design Pressure at DF = .6 (psi) | Design Pressure at DF = .5 (psi) | Options |
|-------------|-------------|-------------------------|-------------------|----------------------------------|----------------------------------|---------|
| 18          | 12342359    | .375in                  | LH                | 1480                             | 1480                             |         |
| 18          | 12342360    | .250in                  | LH                | 1480                             | 1250                             |         |
| 18          | 12345186    | 600lb RF                | RH                | 1480                             | 1480                             | *       |
| 18          | 12345188    | 600lb RF                | LH                | 1480                             | 1480                             | *       |
| 20          | 12342196    | .750in                  | RH                | 1480                             | 1480                             |         |
| 20          | 12342197    | .594in                  | RH                | 1480                             | 1480                             |         |
| 20          | 12342198    | .500in                  | RH                | 1480                             | 1480                             |         |
| 20          | 12342199    | .375in                  | RH                | 1480                             | 1480                             |         |
| 20          | 12342200    | .250in                  | RH                | 1350                             | 1125                             |         |
| 20          | 12342206    | .750in                  | LH                | 1480                             | 1480                             |         |
| 20          | 12342207    | .594in                  | LH                | 1480                             | 1480                             |         |
| 20          | 12342208    | .500in                  | LH                | 1480                             | 1480                             |         |
| 20          | 12342209    | .375in                  | LH                | 1480                             | 1480                             |         |
| 20          | 12342210    | .250in                  | LH                | 1350                             | 1125                             |         |
| 20          | 12345190    | 600lb RF                | RH                | 1480                             | 1480                             | *       |
| 20          | 12345192    | 600lb RF                | LH                | 1480                             | 1480                             | *       |
| 22          | 12341991    | .875in                  | RH                | 1480                             | 1480                             |         |
| 22          | 12341992    | .750in                  | RH                | 1480                             | 1480                             |         |
| 22          | 12341993    | .625in                  | RH                | 1480                             | 1480                             |         |
| 22          | 12341994    | .500in                  | RH                | 1480                             | 1480                             |         |
| 22          | 12341995    | .375in                  | RH                | 1480                             | 1480                             |         |
| 22          | 12342001    | .875in                  | LH                | 1480                             | 1480                             |         |
| 22          | 12342002    | .750in                  | LH                | 1480                             | 1480                             |         |
| 22          | 12342003    | .625in                  | LH                | 1480                             | 1480                             |         |
| 22          | 12342004    | .500in                  | LH                | 1480                             | 1480                             |         |
| 22          | 12342005    | .375in                  | LH                | 1480                             | 1480                             |         |
| 22          | 12345194    | 600lb RF                | RH                | 1480                             | 1480                             | *       |
| 22          | 12345196    | 600lb RF                | LH                | 1480                             | 1480                             | *       |
| 24          | 12340504    | .875in                  | RH                | 1480                             | 1480                             | **      |
| 24          | 12342012    | .750in                  | RH                | 1480                             | 1480                             | **      |

### Dimensions and Weights

| Size | Weight (Lbs) | H x W x L    |
|------|--------------|--------------|
| 20   | 700          | 12 x 33 x 37 |
| 22   | 825          | 13 x 35 x 38 |
| 24   | 955          | 13 x 38 x 43 |

\* Flanged

\*\* Optional Side Screw Actuation

Maximum test pressure is 1.5 times design pressure.

## Dimensions and Part Numbers



T.D. Williamson

5100.003 - p6

### 24- through 26-inch

#### ASME B31.4/B31.8/CSA Z662 Cat. II

| Size (inch) | Part Number | Matching Wall Thickness | Hinge Orientation | Design Pressure at DF = .6 (psi) | Design Pressure at DF = .5 (psi) | Options |
|-------------|-------------|-------------------------|-------------------|----------------------------------|----------------------------------|---------|
| 24          | 12342013    | .688in                  | RH                | 1480                             | 1480                             | **      |
| 24          | 12342014    | .625in                  | RH                | 1480                             | 1480                             | **      |
| 24          | 12342015    | .500in                  | RH                | 1480                             | 1480                             | **      |
| 24          | 12342016    | .375in                  | RH                | 1480                             | 1405                             | **      |
| 24          | 12342023    | .875in                  | LH                | 1480                             | 1480                             | **      |
| 24          | 12342024    | .750in                  | LH                | 1480                             | 1480                             | **      |
| 24          | 12342025    | .688in                  | LH                | 1480                             | 1480                             | **      |
| 24          | 12342026    | .625in                  | LH                | 1480                             | 1480                             | **      |
| 24          | 12342027    | .500in                  | LH                | 1480                             | 1480                             | **      |
| 24          | 12342028    | .375in                  | LH                | 1480                             | 1405                             | **      |
| 24          | 12342035    | .875in                  | RH                | 1480                             | 1480                             |         |
| 24          | 12342036    | .750in                  | RH                | 1480                             | 1480                             |         |
| 24          | 12342037    | .688in                  | RH                | 1480                             | 1480                             |         |
| 24          | 12342038    | .625in                  | RH                | 1480                             | 1480                             |         |
| 24          | 12342039    | .500in                  | RH                | 1480                             | 1480                             |         |
| 24          | 12342040    | .375in                  | RH                | 1480                             | 1405                             |         |
| 24          | 12342047    | .875in                  | LH                | 1480                             | 1480                             |         |
| 24          | 12342048    | .750in                  | LH                | 1480                             | 1480                             |         |
| 24          | 12342049    | .688in                  | LH                | 1480                             | 1480                             |         |
| 24          | 12342050    | .625in                  | LH                | 1480                             | 1480                             |         |
| 24          | 12342051    | .500in                  | LH                | 1480                             | 1480                             |         |
| 24          | 12342052    | .375in                  | LH                | 1480                             | 1405                             |         |
| 24          | 12345198    | 600lb RF                | RH                | 1480                             | 1480                             | */**    |
| 24          | 12345200    | 600lb RF                | LH                | 1480                             | 1480                             | */**    |
| 24          | 12345202    | 600lb RF                | RH                | 1480                             | 1480                             | *       |
| 24          | 12345204    | 600lb RF                | LH                | 1480                             | 1480                             | *       |
| 26          | 12342071    | .875in                  | RH                | 1480                             | 1480                             | **      |
| 26          | 12342072    | .750in                  | RH                | 1480                             | 1480                             | **      |
| 26          | 12342073    | .625in                  | RH                | 1480                             | 1480                             | **      |
| 26          | 12342077    | .875in                  | LH                | 1480                             | 1480                             | **      |
| 26          | 12342078    | .750in                  | LH                | 1480                             | 1480                             | **      |
| 26          | 12342079    | .625in                  | LH                | 1480                             | 1480                             | **      |

#### Dimensions and Weights

| Size | Weight (Lbs) | H x W x L    |
|------|--------------|--------------|
| 26   | 1400         | 15 x 44 x 45 |

\* Flanged

\*\* Optional Side Screw Actuation

Maximum test pressure is 1.5 times design pressure.

## Dimensions and Part Numbers



T.D. Williamson

5100.003 - p7

### 26- through 28-inch

### ASME B31.4/B31.8/CSA Z662 Cat. II

| Size (inch) | Part Number | Matching Wall Thickness | Hinge Orientation | Design Pressure at DF = .6 (psi) | Design Pressure at DF = .5 (psi) | Options |
|-------------|-------------|-------------------------|-------------------|----------------------------------|----------------------------------|---------|
| 26          | 12342084    | .875in                  | RH                | 1480                             | 1480                             |         |
| 26          | 12342085    | .750in                  | RH                | 1480                             | 1480                             |         |
| 26          | 12342086    | .625in                  | RH                | 1480                             | 1480                             |         |
| 26          | 12342090    | .875in                  | LH                | 1480                             | 1480                             |         |
| 26          | 12342091    | .750in                  | LH                | 1480                             | 1480                             |         |
| 26          | 12342092    | .625in                  | LH                | 1480                             | 1480                             |         |
| 26          | 12344573    | .500in                  | RH                | 1480                             | 1480                             | **      |
| 26          | 12344577    | .500in                  | RH                | 1480                             | 1480                             |         |
| 26          | 12345206    | 600lb RF                | RH                | 1480                             | 1480                             | */**    |
| 26          | 12345208    | 600lb RF                | LH                | 1480                             | 1480                             | */**    |
| 26          | 12345210    | 600lb RF                | RH                | 1480                             | 1480                             | *       |
| 26          | 12345212    | 600lb RF                | LH                | 1480                             | 1480                             | *       |
| 26          | 12344575    | .500in                  | LH                | 1480                             | 1480                             | **      |
| 26          | 12344579    | .500in                  | LH                | 1480                             | 1480                             |         |
| 28          | 12342096    | 1.00in                  | RH                | 1480                             | 1480                             | **      |
| 28          | 12342097    | .875in                  | RH                | 1480                             | 1480                             | **      |
| 28          | 12342098    | .750in                  | RH                | 1480                             | 1480                             | **      |
| 28          | 12342099    | .625in                  | RH                | 1480                             | 1480                             | **      |
| 28          | 12342100    | .500in                  | RH                | 1480                             | 1480                             | **      |
| 28          | 12342101    | .375in                  | RH                | 1445                             | 1205                             | **      |
| 28          | 12342108    | 1.00in                  | LH                | 1480                             | 1480                             | **      |
| 28          | 12342109    | .875in                  | LH                | 1480                             | 1480                             | **      |
| 28          | 12342110    | .750in                  | LH                | 1480                             | 1480                             | **      |
| 28          | 12342111    | .625in                  | LH                | 1480                             | 1480                             | **      |
| 28          | 12342112    | .500in                  | LH                | 1480                             | 1480                             | **      |
| 28          | 12342113    | .375in                  | LH                | 1445                             | 1205                             | **      |
| 28          | 12342120    | 1.00in                  | RH                | 1480                             | 1480                             |         |
| 28          | 12342121    | .875in                  | RH                | 1480                             | 1480                             |         |
| 28          | 12342122    | .750in                  | RH                | 1480                             | 1480                             |         |
| 28          | 12342123    | .625in                  | RH                | 1480                             | 1480                             |         |
| 28          | 12342124    | .500in                  | RH                | 1480                             | 1480                             |         |

### Dimensions and Weights

| Size | Weight (Lbs) | H x W x L    |
|------|--------------|--------------|
| 28   | 1580         | 15 x 46 x 47 |

\* Flanged

\*\* Optional Side Screw Actuation

Maximum test pressure is 1.5 times design pressure.

## Dimensions and Part Numbers



T.D. Williamson

5100.003 - p8

### 28- through 30-inch

#### ASME B31.4/B31.8/CSA Z662 Cat. II

| Size (inch) | Part Number | Matching Wall Thickness | Hinge Orientation | Design Pressure at DF = .6 (psi) | Design Pressure at DF = .5 (psi) | Options |
|-------------|-------------|-------------------------|-------------------|----------------------------------|----------------------------------|---------|
| 28          | 12342125    | .375in                  | RH                | 1445                             | 1205                             |         |
| 28          | 12342132    | 1.00in                  | LH                | 1480                             | 1480                             |         |
| 28          | 12342134    | .875in                  | LH                | 1480                             | 1480                             |         |
| 28          | 12342135    | .750in                  | LH                | 1480                             | 1480                             |         |
| 28          | 12342136    | .625in                  | LH                | 1480                             | 1480                             |         |
| 28          | 12342137    | .500in                  | LH                | 1480                             | 1480                             |         |
| 28          | 12342138    | .375in                  | LH                | 1445                             | 1205                             |         |
| 28          | 12345214    | 600lb RF                | RH                | 1480                             | 1480                             | */**    |
| 28          | 12345216    | 600lb RF                | LH                | 1480                             | 1480                             | */**    |
| 28          | 12345218    | 600lb RF                | RH                | 1480                             | 1480                             | *       |
| 28          | 12345220    | 600lb RF                | LH                | 1480                             | 1480                             | *       |
| 30          | 12342147    | 1.00in                  | RH                | 1480                             | 1480                             |         |
| 30          | 12342148    | .875in                  | RH                | 1480                             | 1480                             |         |
| 30          | 12342149    | .750in                  | RH                | 1480                             | 1480                             |         |
| 30          | 12342150    | .625in                  | RH                | 1480                             | 1480                             |         |
| 30          | 12342151    | .500in                  | RH                | 1480                             | 1480                             |         |
| 30          | 12342152    | .375in                  | RH                | 1350                             | 1125                             |         |
| 30          | 12342159    | 1.00in                  | LH                | 1480                             | 1480                             |         |
| 30          | 12342160    | .875in                  | LH                | 1480                             | 1480                             |         |
| 30          | 12342161    | .750in                  | LH                | 1480                             | 1480                             |         |
| 30          | 12342162    | .625in                  | LH                | 1480                             | 1480                             |         |
| 30          | 12342163    | .500in                  | LH                | 1480                             | 1480                             |         |
| 30          | 12342164    | .375in                  | LH                | 1350                             | 1125                             |         |
| 30          | 12342171    | 1.00in                  | RH                | 1480                             | 1480                             | **      |
| 30          | 12342172    | .875in                  | RH                | 1480                             | 1480                             | **      |
| 30          | 12342173    | .750in                  | RH                | 1480                             | 1480                             | **      |
| 30          | 12342174    | .625in                  | RH                | 1480                             | 1480                             | **      |
| 30          | 12342175    | .500in                  | RH                | 1480                             | 1480                             | **      |
| 30          | 12342176    | .375in                  | RH                | 1350                             | 1125                             | **      |
| 30          | 12342184    | 1.00in                  | LH                | 1480                             | 1480                             | **      |
| 30          | 12342185    | .875in                  | LH                | 1480                             | 1480                             | **      |
| 30          | 12342186    | .750in                  | LH                | 1480                             | 1480                             | **      |

#### Dimensions and Weights

| Size | Weight (Lbs) | H x W x L    |
|------|--------------|--------------|
| 30   | 1850         | 16 x 48 x 49 |

\* Flanged

\*\* Optional Side Screw Actuation

Maximum test pressure is 1.5 times design pressure.



## Dimensions and Part Numbers



T.D. Williamson

5100.003 - p9

30-inch

ASME B31.4/B31.8/CSA Z662 Cat. II

| Size (inch) | Part Number | Matching Wall Thickness | Hinge Orientation | Design Pressure at DF = .6 (psi) | Design Pressure at DF = .5 (psi) | Options |
|-------------|-------------|-------------------------|-------------------|----------------------------------|----------------------------------|---------|
| 30          | 12342186    | .750in                  | LH                | 1480                             | 1480                             | **      |
| 30          | 12342187    | .625in                  | LH                | 1480                             | 1480                             | **      |
| 30          | 12342188    | .500in                  | LH                | 1480                             | 1480                             | **      |
| 30          | 12342189    | .375in                  | LH                | 1350                             | 1125                             | **      |
| 30          | 12345222    | 600lb RF                | RH                | 1480                             | 1480                             | */**    |
| 30          | 12345224    | 600lb RF                | LH                | 1480                             | 1480                             | */**    |
| 30          | 12345226    | 600lb RF                | RH                | 1480                             | 1480                             | *       |
| 30          | 12345228    | 600lb RF                | LH                | 1480                             | 1480                             | *       |

### Dimensions and Weights

| Size | Weight (Lbs) | H x W x L    |
|------|--------------|--------------|
| 30   | 1850         | 16 x 48 x 49 |

\* Flanged

\*\* Optional Side Screw Actuation

Maximum test pressure is 1.5 times design pressure.

## Dimensions and Part Number

4- through 8-inch  
 ASME B31.4/B31.8/CSA Z662 Cat. II  
 ASME BPVC Sec. VIII Div. 1 U-Stamp (Head)



T.D. Williamson  
 5100.003 - p10

| Size (inches) | Part Number | Matching Wall Thickness | Hinge Orientation | Design Pressure at DF = .6 (psi) | Design Pressure at DF = .5 (psi) | Options |
|---------------|-------------|-------------------------|-------------------|----------------------------------|----------------------------------|---------|
| 4             | 12342256    | .337in                  | RH                | 1480                             | 1480                             |         |
| 4             | 12342257    | .237in                  | RH                | 1480                             | 1480                             |         |
| 4             | 12342258    | .188in                  | RH                | 1480                             | 1480                             |         |
| 4             | 12345159    | 600lb RF                | RH                | 1480                             | 1480                             | *       |
| 4             | 12342262    | .337in                  | LH                | 1480                             | 1480                             |         |
| 4             | 12342263    | .237in                  | LH                | 1480                             | 1480                             |         |
| 4             | 12342264    | .188in                  | LH                | 1480                             | 1480                             |         |
| 4             | 12345161    | 600lb RF                | LH                | 1480                             | 1480                             | *       |
| 6             | 12342238    | .432in                  | RH                | 1480                             | 1480                             |         |
| 6             | 12342239    | .375in                  | RH                | 1480                             | 1480                             |         |
| 6             | 12342240    | .280in                  | RH                | 1480                             | 1480                             |         |
| 6             | 12342241    | .250in                  | RH                | 1480                             | 1480                             |         |
| 6             | 12342242    | .188in                  | RH                | 1480                             | 1480                             |         |
| 6             | 12345163    | 600lb RF                | RH                | 1480                             | 1480                             | *       |
| 6             | 12342248    | .432in                  | LH                | 1480                             | 1480                             |         |
| 6             | 12342249    | .375in                  | LH                | 1480                             | 1480                             |         |
| 6             | 12342250    | .280in                  | LH                | 1480                             | 1480                             |         |
| 6             | 12342251    | .250in                  | LH                | 1480                             | 1480                             |         |
| 6             | 12342252    | .188in                  | LH                | 1480                             | 1480                             |         |
| 6             | 12345165    | 600lb RF                | LH                | 1480                             | 1480                             | *       |
| 8             | 12340919    | .500in                  | RH                | 1480                             | 1480                             |         |
| 8             | 12340920    | .438in                  | RH                | 1480                             | 1480                             |         |
| 8             | 12340921    | .375in                  | RH                | 1480                             | 1480                             |         |
| 8             | 12340922    | .322in                  | RH                | 1480                             | 1480                             |         |
| 8             | 12340923    | .250in                  | RH                | 1480                             | 1480                             |         |
| 8             | 12340924    | .188in                  | RH                | 1480                             | 1480                             |         |
| 8             | 12345167    | 600lb RF                | RH                | 1480                             | 1480                             | *       |
| 8             | 12340952    | .500in                  | LH                | 1480                             | 1480                             |         |
| 8             | 12340953    | .438in                  | LH                | 1480                             | 1480                             |         |
| 8             | 12340954    | .375in                  | LH                | 1480                             | 1480                             |         |
| 8             | 12340955    | .322in                  | LH                | 1480                             | 1480                             |         |
| 8             | 12340956    | .250in                  | LH                | 1480                             | 1480                             |         |
| 8             | 12340957    | .188in                  | LH                | 1480                             | 1480                             |         |

### Dimensions and Weights

| Size | Wt (Lbs) | H x W x L   |
|------|----------|-------------|
| 4    | 60       | 8 x 12 x 16 |
| 6    | 75       | 8 x 14 x 18 |
| 8    | 120      | 8 x 16 x 20 |

\* Flanged  
 Maximum test pressure is 1.5 times design pressure.

## Dimensions and Part Numbers

**8- through 14-inch  
ASME B31.4/B31.8/CSA Z662 Cat. II  
ASME BPVC Sec. VIII Div. 1 U-Stamp (Head)**



T.D. Williamson

5100.003 - p11

| Size (inches) | Part Number | Matching Wall Thickness | Hinge Orientation | Design Pressure at DF = .6 (psi) | Design Pressure at DF = .5 (psi) | Options |
|---------------|-------------|-------------------------|-------------------|----------------------------------|----------------------------------|---------|
| 8             | 12345169    | 600lb RF                | LH                | 1480                             | 1480                             | *       |
| 10            | 12342271    | .500in                  | RH                | 1480                             | 1480                             |         |
| 10            | 12342272    | .438in                  | RH                | 1480                             | 1480                             |         |
| 10            | 12342273    | .365in                  | RH                | 1480                             | 1480                             |         |
| 10            | 12342274    | .313in                  | RH                | 1480                             | 1480                             |         |
| 10            | 12342275    | .250in                  | RH                | 1480                             | 1480                             |         |
| 10            | 12342276    | .188in                  | RH                | 1480                             | 1480                             |         |
| 10            | 12345171    | 600lb RF                | RH                | 1480                             | 1480                             | *       |
| 10            | 12342283    | .500in                  | LH                | 1480                             | 1480                             |         |
| 10            | 12342284    | .438in                  | LH                | 1480                             | 1480                             |         |
| 10            | 12342285    | .365in                  | LH                | 1480                             | 1480                             |         |
| 10            | 12342286    | .313in                  | LH                | 1480                             | 1480                             |         |
| 10            | 12342287    | .250in                  | LH                | 1480                             | 1480                             |         |
| 10            | 12342288    | .188in                  | LH                | 1480                             | 1480                             |         |
| 10            | 12345173    | 600lb RF                | LH                | 1480                             | 1480                             | *       |
| 12            | 12342295    | .500in                  | RH                | 1480                             | 1480                             |         |
| 12            | 12342296    | .437in                  | RH                | 1480                             | 1480                             |         |
| 12            | 12342297    | .375in                  | RH                | 1480                             | 1480                             |         |
| 12            | 12342298    | .312in                  | RH                | 1480                             | 1480                             |         |
| 12            | 12342299    | .250in                  | RH                | 1480                             | 1480                             |         |
| 12            | 12345175    | 600lb RF                | RH                | 1480                             | 1480                             | *       |
| 12            | 12342305    | .500in                  | LH                | 1480                             | 1480                             |         |
| 12            | 12342306    | .437in                  | LH                | 1480                             | 1480                             |         |
| 12            | 12342307    | .375in                  | LH                | 1480                             | 1480                             |         |
| 12            | 12342308    | .312in                  | LH                | 1480                             | 1480                             |         |
| 12            | 12342309    | .250in                  | LH                | 1480                             | 1480                             |         |
| 12            | 12345177    | 600lb RF                | LH                | 1480                             | 1480                             | *       |
| 14            | 12342315    | .500in                  | RH                | 1480                             | 1480                             |         |
| 14            | 12342316    | .438in                  | RH                | 1480                             | 1480                             |         |
| 14            | 12342317    | .375in                  | RH                | 1480                             | 1480                             |         |
| 14            | 12342318    | .313in                  | RH                | 1480                             | 1480                             |         |
| 14            | 12342319    | .250in                  | RH                | 1480                             | 1480                             |         |
| 14            | 12345179    | 600lb RF                | RH                | 1480                             | 1480                             | *       |
| 14            | 12342325    | .500in                  | LH                | 1480                             | 1480                             |         |

### Dimensions and Weights

| Size | Wt (Lbs) | H x W x L    |
|------|----------|--------------|
| 10   | 160      | 8 x 19 x 23  |
| 12   | 200      | 10 x 21 x 26 |
| 14   | 260      | 10 x 22 x 27 |

\* Flanged

Maximum test pressure is 1.5 times design pressure.

## Dimensions and Part Number



T.D. Williamson  
5100.003 - p12

14- through 20-inch  
ASME B31.4/B31.8/CSA Z662 Cat. II  
ASME BPVC Sec. VIII Div. 1 U-Stamp (Head)

| Size (inches) | Part Number | Matching Wall Thickness | Hinge Orientation | Design Pressure at DF = .6 (psi) | Design Pressure at DF = .5 (psi) | Options |
|---------------|-------------|-------------------------|-------------------|----------------------------------|----------------------------------|---------|
| 14            | 12342326    | .438in                  | LH                | 1480                             | 1480                             |         |
| 14            | 12342327    | .375in                  | LH                | 1480                             | 1480                             |         |
| 14            | 12342328    | .313in                  | LH                | 1480                             | 1480                             |         |
| 14            | 12342329    | .250in                  | LH                | 1480                             | 1480                             |         |
| 14            | 12345181    | 600lb RF                | LH                | 1480                             | 1480                             | *       |
| 16            | 12342334    | .750in                  | RH                | 1480                             | 1480                             |         |
| 16            | 12342335    | .625in                  | RH                | 1480                             | 1480                             |         |
| 16            | 12342336    | .500in                  | RH                | 1480                             | 1480                             |         |
| 16            | 12342337    | .375in                  | RH                | 1480                             | 1480                             |         |
| 16            | 12345183    | 600lb RF                | RH                | 1480                             | 1480                             | *       |
| 16            | 12342342    | .750in                  | LH                | 1480                             | 1480                             |         |
| 16            | 12342343    | .625in                  | LH                | 1480                             | 1480                             |         |
| 16            | 12342344    | .500in                  | LH                | 1480                             | 1480                             |         |
| 16            | 12342345    | .375in                  | LH                | 1480                             | 1480                             |         |
| 16            | 12345185    | 600lb RF                | LH                | 1480                             | 1480                             | *       |
| 18            | 12342351    | .750in                  | RH                | 1480                             | 1480                             |         |
| 18            | 12342352    | .625in                  | RH                | 1480                             | 1480                             |         |
| 18            | 12342353    | .500in                  | RH                | 1480                             | 1480                             |         |
| 18            | 12342354    | .375in                  | RH                | 1480                             | 1480                             |         |
| 18            | 12342355    | .250in                  | RH                | 1480                             | 1250                             |         |
| 18            | 12345187    | 600lb RF                | RH                | 1480                             | 1480                             | *       |
| 18            | 12342361    | .750in                  | LH                | 1480                             | 1480                             |         |
| 18            | 12342362    | .625in                  | LH                | 1480                             | 1480                             |         |
| 18            | 12342363    | .500in                  | LH                | 1480                             | 1480                             |         |
| 18            | 12342364    | .375in                  | LH                | 1480                             | 1480                             |         |
| 18            | 12342365    | .250in                  | LH                | 1480                             | 1250                             |         |
| 18            | 12345189    | 600lb RF                | LH                | 1480                             | 1480                             | *       |
| 20            | 12342201    | .750in                  | RH                | 1480                             | 1480                             |         |
| 20            | 12342202    | .594in                  | RH                | 1480                             | 1480                             |         |
| 20            | 12342203    | .500in                  | RH                | 1480                             | 1480                             |         |
| 20            | 12342204    | .375in                  | RH                | 1480                             | 1480                             |         |
| 20            | 12342205    | .250in                  | RH                | 1350                             | 1125                             |         |

### Dimensions and Weights

| Size | Weight (Lbs) | H x W x L    |
|------|--------------|--------------|
| 16   | 420          | 11 x 29 x 34 |
| 18   | 550          | 12 x 31 x 35 |
| 20   | 700          | 12 x 33 x 37 |

\* Flanged  
Maximum test pressure is 1.5 times design pressure.

## Dimensions and Part Numbers

20 through 24-inch  
ASME B31.4/B31.8/CSA Z662 Cat. II  
ASME BPVC Sec. VIII Div. 1 U-Stamp (Head)



T.D. Williamson

5100.003 - p13

| Size (inches) | Part Number | Matching Wall Thickness | Hinge Orientation | Design Pressure at DF = .6 (psi) | Design Pressure at DF = .5 (psi) | Options |
|---------------|-------------|-------------------------|-------------------|----------------------------------|----------------------------------|---------|
| 20            | 12345191    | 600lb RF                | RH                | 1480                             | 1480                             | *       |
| 20            | 12342211    | .750in                  | LH                | 1480                             | 1480                             |         |
| 20            | 12342212    | .594in                  | LH                | 1480                             | 1480                             |         |
| 20            | 12342213    | .500in                  | LH                | 1480                             | 1480                             |         |
| 20            | 12342214    | .375in                  | LH                | 1480                             | 1480                             |         |
| 20            | 12342215    | .250in                  | LH                | 1350                             | 1125                             |         |
| 20            | 12345193    | 600lb RF                | LH                | 1480                             | 1480                             | *       |
| 22            | 12341996    | .875in                  | RH                | 1480                             | 1480                             |         |
| 22            | 12341997    | .750in                  | RH                | 1480                             | 1480                             |         |
| 22            | 12341998    | .625in                  | RH                | 1480                             | 1480                             |         |
| 22            | 12341999    | .500in                  | RH                | 1480                             | 1480                             |         |
| 22            | 12342000    | .375in                  | RH                | 1480                             | 1480                             |         |
| 22            | 12345195    | 600lb RF                | RH                | 1480                             | 1480                             | *       |
| 22            | 12342006    | .875in                  | LH                | 1480                             | 1480                             |         |
| 22            | 12342007    | .750in                  | LH                | 1480                             | 1480                             |         |
| 22            | 12342008    | .625in                  | LH                | 1480                             | 1480                             |         |
| 22            | 12342009    | .500in                  | LH                | 1480                             | 1480                             |         |
| 22            | 12342010    | .375in                  | LH                | 1480                             | 1480                             |         |
| 22            | 12345197    | 600lb RF                | LH                | 1480                             | 1480                             | *       |
| 24            | 12342017    | .875in                  | RH                | 1480                             | 1480                             | **      |
| 24            | 12342018    | .750in                  | RH                | 1480                             | 1480                             | **      |
| 24            | 12342019    | .688in                  | RH                | 1480                             | 1480                             | **      |
| 24            | 12342020    | .625in                  | RH                | 1480                             | 1480                             | **      |
| 24            | 12342021    | .500in                  | RH                | 1480                             | 1480                             | **      |
| 24            | 12342022    | .375in                  | RH                | 1480                             | 1405                             | **      |
| 24            | 12342041    | .875in                  | RH                | 1480                             | 1480                             |         |
| 24            | 12342042    | .750in                  | RH                | 1480                             | 1480                             |         |
| 24            | 12342043    | .688in                  | RH                | 1480                             | 1480                             |         |
| 24            | 12342044    | .625in                  | RH                | 1480                             | 1480                             |         |
| 24            | 12342045    | .500in                  | RH                | 1480                             | 1480                             |         |
| 24            | 12342046    | .375in                  | RH                | 1480                             | 1405                             |         |
| 24            | 12345199    | 600lb RF                | RH                | 1480                             | 1480                             | */**    |
| 24            | 12345203    | 600lb RF                | RH                | 1480                             | 1480                             | *       |
| 24            | 12342029    | .875in                  | LH                | 1480                             | 1480                             | **      |
| 24            | 12342030    | .750in                  | LH                | 1480                             | 1480                             | **      |

### Dimensions and Weights

| Size | Weight (Lbs) | H x W x L    |
|------|--------------|--------------|
| 22   | 825          | 13 x 35 x 38 |
| 24   | 955          | 13 x 38 x 43 |

\* Flanged

\*\* Optional Side Screw Actuation

Maximum test pressure is 1.5 times design pressure.

North & South America: +1 918 447 5000 ■ Europe / Africa / Middle East: +32 67 28 3611 ■ Asia Pacific: +65 6364 8520 ■ [www.tdwilliamson.com](http://www.tdwilliamson.com)

Data subject to change without notice. / Dimensions not for construction unless certified. / © Registered trademark of T.D. Williamson in the United States and other countries. / TM Trademark of T.D. Williamson in the United States and other countries. / © 2020 T.D. Williamson

## Dimensions and Part Number

24- through 28-inch  
 ASME B31.4/B31.8/CSA Z662 Cat. II  
 ASME BPVC Sec. VIII Div. 1 U-Stamp (Head)



T.D. Williamson

5100.003 - p14

| Size (inches) | Part Number | Matching Wall Thickness | Hinge Orientation | Design Pressure at DF = .6 (psi) | Design Pressure at DF = .5 (psi) | Options |
|---------------|-------------|-------------------------|-------------------|----------------------------------|----------------------------------|---------|
| 24            | 12342031    | .688in                  | LH                | 1480                             | 1480                             | **      |
| 24            | 12342032    | .625in                  | LH                | 1480                             | 1480                             | **      |
| 24            | 12342033    | .500in                  | LH                | 1480                             | 1480                             | **      |
| 24            | 12342034    | .375in                  | LH                | 1480                             | 1405                             | **      |
| 24            | 12342053    | .875in                  | LH                | 1480                             | 1480                             |         |
| 24            | 12342054    | .750in                  | LH                | 1480                             | 1480                             |         |
| 24            | 12342055    | .688in                  | LH                | 1480                             | 1480                             |         |
| 24            | 12342056    | .625in                  | LH                | 1480                             | 1480                             |         |
| 24            | 12342057    | .500in                  | LH                | 1480                             | 1480                             |         |
| 24            | 12342058    | .375in                  | LH                | 1480                             | 1405                             |         |
| 24            | 12345201    | 600lb                   | LH                | 1480                             | 1480                             | */**    |
| 24            | 12345205    | 600lb                   | LH                | 1480                             | 1480                             | *       |
| 26            | 12342074    | .875in                  | RH                | 1480                             | 1480                             | **      |
| 26            | 12342075    | .750in                  | RH                | 1480                             | 1480                             | **      |
| 26            | 12342076    | .625in                  | RH                | 1480                             | 1480                             | **      |
| 26            | 12344574    | .500in                  | RH                | 1480                             | 1480                             | **      |
| 26            | 12342087    | .875in                  | RH                | 1480                             | 1480                             |         |
| 26            | 12342088    | .750in                  | RH                | 1480                             | 1480                             |         |
| 26            | 12342089    | .625in                  | RH                | 1480                             | 1480                             |         |
| 26            | 12344578    | .500in                  | RH                | 1480                             | 1480                             |         |
| 26            | 12345207    | 600lb RF                | RH                | 1480                             | 1480                             | */**    |
| 26            | 12345211    | 600lb RF                | RH                | 1480                             | 1480                             | *       |
| 26            | 12342080    | .875in                  | LH                | 1480                             | 1480                             | **      |
| 26            | 12342081    | .750in                  | LH                | 1480                             | 1480                             | **      |
| 26            | 12342083    | .625in                  | LH                | 1480                             | 1480                             | **      |
| 26            | 12344576    | .500in                  | LH                | 1480                             | 1480                             | **      |
| 26            | 12342093    | .875in                  | LH                | 1480                             | 1480                             |         |
| 26            | 12342094    | .750in                  | LH                | 1480                             | 1480                             |         |
| 26            | 12342095    | .625in                  | LH                | 1480                             | 1480                             |         |
| 26            | 12344580    | .500in                  | LH                | 1480                             | 1480                             |         |
| 26            | 12345209    | 600lb RF                | LH                | 1480                             | 1480                             | */**    |
| 26            | 12345213    | 600lb RF                | LH                | 1480                             | 1480                             | *       |
| 28            | 12342102    | 1.00in                  | RH                | 1480                             | 1480                             | **      |
| 28            | 12342103    | .875in                  | RH                | 1480                             | 1480                             | **      |
| 28            | 12342104    | .750in                  | RH                | 1480                             | 1480                             | **      |
| 28            | 12342105    | .625in                  | RH                | 1480                             | 1480                             | **      |

### Dimensions and Weights

| Size | Weight (Lbs) | H x W x L    |
|------|--------------|--------------|
| 26   | 1400         | 15 x 44 x 45 |
| 28   | 1580         | 15 x 46 x 47 |

\* Flanged

\*\* Optional Side Screw Actuation

Maximum test pressure is 1.5 times design pressure.

North & South America: +1 918 447 5000 ■ Europe / Africa / Middle East: +32 67 28 3611 ■ Asia Pacific: +65 6364 8520 ■ [www.tdwilliamson.com](http://www.tdwilliamson.com)

Data subject to change without notice. / Dimensions not for construction unless certified. / © Registered trademark of T.D. Williamson in the United States and other countries. / TM Trademark of T.D. Williamson in the United States and other countries. / © 2020 T.D. Williamson

## Dimensions and Part Numbers



T.D. Williamson

5100.003 - p15

### 28 through 30-inch ASME B31.4/B31.8/CSA Z662 Cat. II ASME BVPC Sec. VIII Div. 1 U-Stamp (Head)

#### Dimensions and Weights

| Size | Weight (Lbs) | H x W x L    |
|------|--------------|--------------|
| 28   | 1580         | 15 x 46 x 47 |
| 30   | 1850         | 16 x 48 x 49 |

\* Flanged

\*\* Optional Side Screw Actuation

Maximum test pressure is 1.5 times design pressure.

| Size (inches) | Part Number | Matching Wall Thickness | Hinge Orientation | Design Pressure at DF = .6 (psi) | Design Pressure at DF = .5 (psi) | Options |
|---------------|-------------|-------------------------|-------------------|----------------------------------|----------------------------------|---------|
| 28            | 12342106    | .500in                  | RH                | 1480                             | 1480                             | **      |
| 28            | 12342107    | .375in                  | RH                | 1445                             | 1205                             | **      |
| 28            | 12342126    | 1.00in                  | RH                | 1480                             | 1480                             |         |
| 28            | 12342127    | .875in                  | RH                | 1480                             | 1480                             |         |
| 28            | 12342128    | .750in                  | RH                | 1480                             | 1480                             |         |
| 28            | 12342129    | .625in                  | RH                | 1480                             | 1480                             |         |
| 28            | 12342130    | .500in                  | RH                | 1480                             | 1480                             |         |
| 28            | 12342131    | .375in                  | RH                | 1445                             | 1205                             |         |
| 28            | 12345215    | 600lb RF                | RH                | 1480                             | 1480                             | */**    |
| 28            | 12345219    | 600lb RF                | RH                | 1480                             | 1480                             | *       |
| 28            | 12342114    | 1.00in                  | LH                | 1480                             | 1480                             | **      |
| 28            | 12342115    | .875in                  | LH                | 1480                             | 1480                             | **      |
| 28            | 12342116    | .750in                  | LH                | 1480                             | 1480                             | **      |
| 28            | 12342117    | .625in                  | LH                | 1480                             | 1480                             | **      |
| 28            | 12342118    | .500in                  | LH                | 1480                             | 1480                             | **      |
| 28            | 12342119    | .375in                  | LH                | 1445                             | 1205                             | **      |
| 28            | 12342139    | 1.00in                  | LH                | 1480                             | 1480                             |         |
| 28            | 12342140    | .875in                  | LH                | 1480                             | 1480                             |         |
| 28            | 12342142    | .750in                  | LH                | 1480                             | 1480                             |         |
| 28            | 12342143    | .625in                  | LH                | 1480                             | 1480                             |         |
| 28            | 12342145    | .500in                  | LH                | 1480                             | 1480                             |         |
| 28            | 12342146    | .375in                  | LH                | 1445                             | 1205                             |         |
| 28            | 12345217    | 600lb RF                | LH                | 1480                             | 1480                             | */**    |
| 28            | 12345221    | 600lb RF                | LH                | 1480                             | 1480                             | *       |
| 30            | 12342153    | 1.00in                  | RH                | 1480                             | 1480                             |         |
| 30            | 12342154    | .875in                  | RH                | 1480                             | 1480                             |         |
| 30            | 12342155    | .750in                  | RH                | 1480                             | 1480                             |         |
| 30            | 12342156    | .625in                  | RH                | 1480                             | 1480                             |         |
| 30            | 12342157    | .500in                  | RH                | 1480                             | 1480                             |         |
| 30            | 12342158    | .375in                  | RH                | 1350                             | 1125                             |         |
| 30            | 12342177    | 1.00in                  | RH                | 1480                             | 1480                             | **      |
| 30            | 12342178    | .875in                  | RH                | 1480                             | 1480                             | **      |
| 30            | 12342179    | .750in                  | RH                | 1480                             | 1480                             | **      |
| 30            | 12342180    | .625in                  | RH                | 1480                             | 1480                             | **      |
| 30            | 12342181    | .500in                  | RH                | 1480                             | 1480                             | **      |

North & South America: +1 918 447 5000 ■ Europe / Africa / Middle East: +32 67 28 3611 ■ Asia Pacific: +65 6364 8520 ■ [www.tdwilliamson.com](http://www.tdwilliamson.com)

Data subject to change without notice. / Dimensions not for construction unless certified. / © Registered trademark of T.D. Williamson in the United States and other countries. / TM Trademark of T.D. Williamson in the United States and other countries. / © 2020 T.D. Williamson

## Dimensions and Part Number

**30-inch**  
**ASME B31.4/B31.8/CSA Z662 Cat. II**  
**ASME BPVC Sec. VIII Div. 1 U-Stamp (Head)**



T.D. Williamson

5100.003 - p16

### Dimensions and Weights

| Size | Weight (Lbs) | H x W x L    |
|------|--------------|--------------|
| 30   | 1850         | 16 x 48 x 49 |

| Size (inches) | Part Number | Matching Wall Thickness | Hinge Orientation | Design Pressure at DF = .6 (psi) | Design Pressure at DF = .5 (psi) | Options |
|---------------|-------------|-------------------------|-------------------|----------------------------------|----------------------------------|---------|
| 30            | 12342182    | .375in                  | RH                | 1350                             | 1125                             | **      |
| 30            | 12345223    | 600lb RF                | RH                | 1480                             | 1480                             | */**    |
| 30            | 12345227    | 600lb RF                | RH                | 1480                             | 1480                             | *       |
| 30            | 12342165    | 1.00in                  | LH                | 1480                             | 1480                             |         |
| 30            | 12342166    | .875in                  | LH                | 1480                             | 1480                             |         |
| 30            | 12342167    | .750in                  | LH                | 1480                             | 1480                             |         |
| 30            | 12342168    | .625in                  | LH                | 1480                             | 1480                             |         |
| 30            | 12342169    | .500in                  | LH                | 1480                             | 1480                             |         |
| 30            | 12342170    | .375in                  | LH                | 1350                             | 1125                             |         |
| 30            | 12342190    | 1.00in                  | LH                | 1480                             | 1480                             | **      |
| 30            | 12342191    | .875in                  | LH                | 1480                             | 1480                             | **      |
| 30            | 12342192    | .750in                  | LH                | 1480                             | 1480                             | **      |
| 30            | 12342193    | .625in                  | LH                | 1480                             | 1480                             | **      |
| 30            | 12342194    | .500in                  | LH                | 1480                             | 1480                             | **      |
| 30            | 12342195    | .375in                  | LH                | 1350                             | 1125                             | **      |
| 30            | 12345225    | 600lb RF                | LH                | 1480                             | 1480                             | */**    |
| 30            | 12345229    | 600lb RF                | LH                | 1480                             | 1480                             | *       |

\* Flanged

\*\* Optional Side Screw Actuation

Maximum test pressure is 1.5 times design pressure.

### Pressure Warning Lock (PWL) Components for Standard D2000 Closures

| Closure Size | PWL Screw           | PWL Bushing | PWL O-ring (FKM) | Drive Screw | Lanyard  |
|--------------|---------------------|-------------|------------------|-------------|----------|
| 4"-14"       | 12338777            | 12339152    | 12338780         | 12338694    | 12339934 |
| 16"-30"      | 12339482            | 12339162    | 12339484         | 12338694    | 12339934 |
| 32"-48"      | Contact Engineering |             |                  |             |          |

### Pressure Warning Lock (PWL) Rebuild Kits for Standard D2000 Closures

| Closure Size | Rebuild Kit *       |
|--------------|---------------------|
| 4"-14"       | 12352702            |
| 16"-30"      | 12352703            |
| 32"-48"      | Contact Engineering |

\*Includes (1) PWL Screw, (1) PWL Bushing, (1) PWL O-ring, (2) Drive Screws, (1) Lanyard

North & South America: +1 918 447 5000 ■ Europe / Africa / Middle East: +32 67 28 3611 ■ Asia Pacific: +65 6364 8520 ■ [www.tdwilliamson.com](http://www.tdwilliamson.com)

Data subject to change without notice. / Dimensions not for construction unless certified. / © Registered trademark of T.D. Williamson in the United States and other countries. / TM Trademark of T.D. Williamson in the United States and other countries. / © 2020 T.D. Williamson



## Dimensions and Part Numbers



T.D. Williamson

5100.003 -p17

### Main Seal O-Rings for Standard D2000 Quick-actuating Closures

| Size (inches) | NITRILE         | FKM             | NITRILE Lo-Temp | FKM Lo-Temp     |
|---------------|-----------------|-----------------|-----------------|-----------------|
| 4             | 19-3700-0424-20 | 19-3700-0424-23 | 19-3700-0424-21 | 19-3700-0424-25 |
| 6             | 19-3700-0663-20 | 19-3700-0663-23 | 19-3700-0663-21 | 19-3700-0663-25 |
| 8             | 19-3700-0846-20 | 19-3700-0846-23 | 19-3700-0846-21 | 19-3700-0846-25 |
| 10            | 19-3700-1042-20 | 19-3700-1042-23 | 19-3700-1042-21 | 19-3700-1042-25 |
| 12            | 19-3700-1224-20 | 19-3700-1224-23 | 19-3700-1224-21 | 19-3700-1224-25 |
| 14            | 19-3700-1338-20 | 19-3700-1338-23 | 19-3700-1338-21 | 19-3700-1338-25 |
| 16            | 19-3700-1500-50 | 19-3700-1500-53 | 19-3700-1500-51 | 19-3700-1500-55 |
| 18            | 19-3700-1681-50 | 19-3700-1681-53 | 19-3700-1681-51 | 19-3700-1681-55 |
| 20            | 19-3700-1863-50 | 19-3700-1863-53 | 19-3700-1863-51 | 19-3700-1863-55 |
| 22            | 19-3700-2045-50 | 19-3700-2045-53 | 19-3700-2045-51 | 19-3700-2045-55 |
| 24            | 19-3700-2227-50 | 19-3700-2227-53 | 19-3700-2227-51 | 19-3700-2227-55 |
| 26            | 19-3700-2500-50 | 19-3700-2500-53 | 19-3700-2500-51 | 19-3700-2500-55 |
| 28            | 19-3700-2659-50 | 19-3700-2659-53 | 19-3700-2659-51 | 19-3700-2659-55 |
| 30            | 19-3700-2841-50 | 19-3700-2841-53 | 19-3700-2841-51 | 19-3700-2841-55 |

### O-Ring Kits for Standard D2000 Quick-actuating Closures (includes 5 Main Seal O-Rings, 10 Standard PWL O-Rings)

| Size (inches) | Main Seal O-Ring Material |                 |          |             |
|---------------|---------------------------|-----------------|----------|-------------|
|               | Nitrile                   | Nitrile Lo-Temp | FKM      | FKM Lo-Temp |
| 4             | 12352633                  | 12352634        | 12352646 | 12352647    |
| 6             | 12352661                  | 12352674        | 12352687 | 12352648    |
| 8             | 12352662                  | 12352675        | 12352688 | 12352649    |
| 10            | 12352663                  | 12352676        | 12352689 | 12352650    |
| 12            | 12352664                  | 12352677        | 12352690 | 12352651    |
| 14            | 12352665                  | 12352678        | 12352691 | 12352652    |
| 16            | 12352666                  | 12352679        | 12352692 | 12352653    |
| 18            | 12352667                  | 12352680        | 12352693 | 12352654    |
| 20            | 12352668                  | 12352681        | 12352694 | 12352655    |
| 22            | 12352669                  | 12352682        | 12352695 | 12352656    |
| 24            | 12352670                  | 12352683        | 12352696 | 12352657    |
| 26            | 12352671                  | 12352684        | 12352697 | 12352658    |
| 28            | 12352672                  | 12352685        | 12352698 | 12352659    |
| 30            | 12352673                  | 12352686        | 12352699 | 12352660    |

North & South America: +1 918 447 5000 ■ Europe / Africa / Middle East: +32 67 28 3611 ■ Asia Pacific: +65 6364 8520 ■ [www.tdwilliamson.com](http://www.tdwilliamson.com)

Data subject to change without notice. / Dimensions not for construction unless certified. / © Registered trademark of T.D. Williamson in the United States and other countries. / TM Trademark of T.D. Williamson in the United States and other countries. / © 2020 T.D. Williamson