



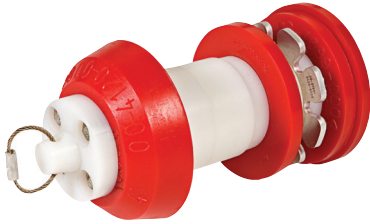
Gauging Pigs

Sizes: 4- through 36-inch



T.D. Williamson

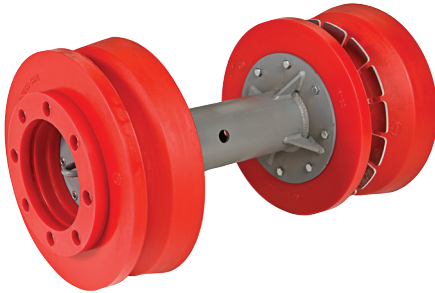
Bulletin No: **3030.007.01**
Version: 01.2013
Cross Indexing No: n/a
Supersedes: 3030.007.00 (06.2010)



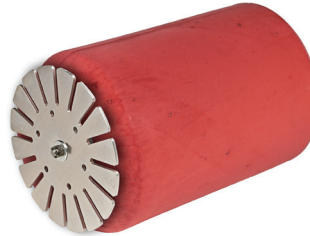
■ **SO-G Pig**
1C3D with Gauge Plate
(Typical 4-inch configuration)



■ **SO-G Pig**
2C1D with Gauge Plate
(Typical 6- through 14-inch configuration)



■ **LV-G Pig**
DCDC with Gauge Plate
(Typical 16-inch and larger configuration)



■ **Polly-G Pig**
with Gauge Plate

Description

TDW Gauging Pigs are designed to indicate obstructions in a pipeline. The slotted aluminum gauge plates will deform and stay deformed if they encounter an obstruction in the line. Since they are made of aluminum they will not damage the internal surface of the pipe.

The pigs will traverse 1.5DR bends unless otherwise noted. They are not recommended for lines containing check valves unless the valves can be locked in the open position.

These pigs will be referred to as:

- SO-G in 4"-14" sizes (S small, O OptionAll™ construction, G gauging).
- LV-G in 16" and larger sizes (L large, V VANTAGE® construction, G gauging).
- Polly-G for foam pigs with gauge plate.

Features

TDW SO-G and LV-G pigs utilize polyurethane cups and discs. These cups and discs can operate in temperatures ranging from -18° C (0° F) to 93° C (200° F).

The Polly-G Gauging Pig is offered in medium and high density bare foam and with a "criss-cross" pattern.

The gauge plates are made from aluminum and are slotted in order to deform locally when an unacceptable obstruction is encountered while still allowing the pig to travel on through the pipeline. In the case of severe obstructions the pig may get stuck in the line.

Standard gauging plate diameters are from 92% to 94% of standard weight pipe inside diameter.

Options

The following options are available on most TDW Gauging Pigs:

- Alternative material for cups and discs is available in cases where polyurethane is not acceptable.
- The diameter and thickness of the gauge plate may be specified by the customer.
- Multiple gauge plates can be provided on one pig.
- Pig configuration can be modified to meet customer request.
- Pigs can be modified if necessary to hold a transmitter for tracking the pig during its run through the line, or to locate the pig should it get stuck in the line.

TDW offers alternative methods to effectively locate and size obstructions using smart pigs. For more information contact your local TDW representative.

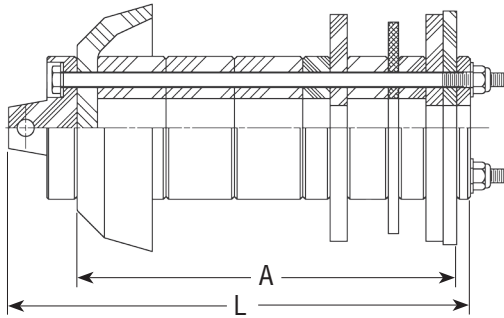
North and South America: 918-447-5400
Europe / Africa: 32-67-28-04-20
Middle East: 91-2667-619900
Asia / Pacific: 65-6364-8520

SO-G Gauging Pigs

Sizes 4- through 14-inch

SO-G Pig with Gauge Plate

4-inch

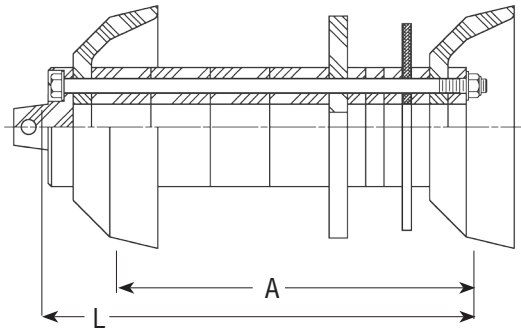


Nom Pipe Size		Standard Gauge Plate Diameter*		Approx Pig Wt		A		L		Pig Part Number*
Inches	mm	Inches	mm	lbs	kg	Inches	mm	Inches	mm	
4	100	3.70	112	2	1	6.4	163	8.4	213	03-2595-04CC-DD03

*The "CC-DD" in the part number is used to specify the diameter of the gauge plate with the "CC" being inches and the "DD" being hundredths of an inch. For example: a 4-inch pig with a part number of 03-2595-0403-7002 would have a 3.70-inch diameter gauge plate. The 02 at the end of the part number denotes a standard 1/8-inch gauge plate thickness.

SO-G Pig with Gauge Plate

6- through 14-inch

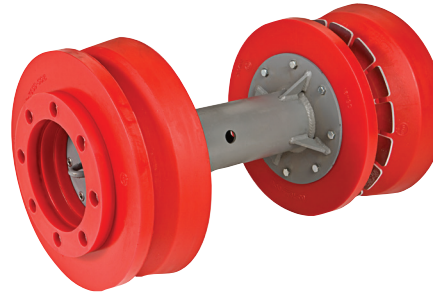
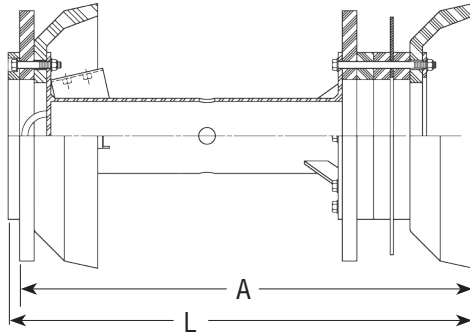


Nom Pipe Size		Standard Gauge Plate Diameter*		Approx Pig Wt		A		L		Pig Part Number*
Inches	mm	Inches	mm	lbs	kg	Inches	mm	Inches	mm	
6	150	5.64	143	6	3	11.1	282	13.7	348	03-2595-06CC-DD03
8	200	7.38	194	12	5	13.2	335	16.0	406	03-2595-08CC-DD03
10	250	9.25	248	25	11	15.1	384	20.2	513	03-2595-10CC-DD03
12	300	11.16	286	30	14	19.3	490	25.4	645	03-2595-12CC-DD03
14	350	12.25	318	35	16	19.4	493	26.1	663	03-2595-14CC-DD03

*The "CC-DD" in the part number is used to specify the diameter of the gauge plate with the "CC" being inches and the "DD" being hundredths of an inch. For example: a 10-inch pig with a part number of 03-2595-1009-7503 would have a 9.75-inch diameter gauge plate. The 03 at the end of the part number denotes a standard 3/16-inch gauge plate thickness.

LV-G Gauging Pigs Sizes 16-inch and Larger

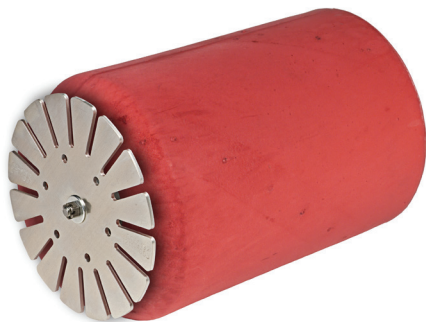
LV-G Pig with Gauge Plate
16-inch and Larger



Nom Pipe Size		Standard Gauge Plate Diameter*		Approx Pig Wt		A		L		Pig Part Number*
Inches	mm	Inches	mm	lbs	kg	Inches	mm	Inches	mm	
16	400	14.25	362	60	27	27.2	691	27.9	709	03-2597-16CC-DD03
18	450	16.00	406	95	43	31.8	808	32.5	826	03-2597-18CC-DD03
20	500	18.00	457	110	50	33.3	846	34.0	864	03-2597-20CC-DD03
22	550	20.00	508	165	75	37.5	953	38.2	970	03-2597-22CC-DD03
24	600	21.85	555	180	82	39.2	996	40.0	1016	03-2597-24CC-DD03
26	650	23.50	597	215	97	43.8	1113	44.6	1133	03-2597-26CC-DD03
28	700	25.50	648	250	113	45.5	1156	46.3	1176	03-2597-28CC-DD03
30	750	27.00	686	345	156	50.9	1293	51.8	1316	03-2597-30CC-DD03
32	800	29.00	737	360	163	52.4	1331	53.3	1354	03-2597-32CC-DD03
34	850	31.00	787	495	224	59.7	1516	60.5	1537	03-2597-34CC-DD03
36	900	33.00	838	530	240	61.1	1552	61.9	1572	03-2597-36CC-DD03

*The "CC-DD" in the part number is used to specify the diameter of the gauge plate with the "CC" being inches and the "DD" being hundredths of an inch. For example: a 16-inch pig with a part number of 03-2595-1614-2503 would have a 14.25-inch diameter gauge plate. The 03 at the end of the part number denotes a standard 3/16-inch gauge plate thickness.

Polly-G Pig with Gauge Plate



Consult factory for available Foam Pigs with Gauge Plate options



T.D. Williamson

3030.007.00- p4