



# Spherical 3-WAY™ Tee

with LOCK-O-RING® Flange - Sizes: 4- through 24-inch



T.D. Williamson, Inc.

Bulletin No: 2100.020.01

Date: February 2010

Cross Indexing No: n/a

Supersedes: 2100.020.00 (9/08)



## ■ Spherical 3-WAY™ Tee with LOCK-O-RING Flange

### Description

The 4-inch through 24-inch spherical three-way fittings are designed for use with STOPPLE® Plugging Equipment to temporarily stop flow in a line. A side or bottom outlet in the fittings permits installation of a bypass around the area where flow is stopped to keep the line in service. Spherical three-way fittings are furnished with LOCK-O-RING® Flanges drilled and faced to match ASME Class 150, 300 or 600 flanges. Other ASME Class ratings are available upon request. These fittings are available in 4- through 24-inch sizes.

### Features

Spherical three-way fittings are compact and low-profile, with a side outlet at the same level as the main. With 4-inch through 12-inch sizes, the bottom half of the fitting can also be repositioned 180 degrees from the flange to create a bottom outlet. For 16-inch and larger sizes, the fitting must

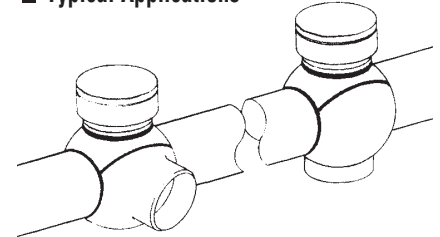
be specifically ordered as either a side or bottom outlet. Whether the outlet is to the side or on the bottom, the STOPPLE® Plugging Head can stop flow in the main line while flow continues through the outlet. These fittings may be used for lateral line tie-in, temporary relocation, or permanent relocation projects.

Spherical three-way fittings are designed to a maximum operating temperature of 180° F (82° C) as per ASME B31.4, or 100° F (38° C) as per ASME B31.8. All fittings are stamped with a serial number for complete material traceability. Material Test Reports are available upon request. Factory welding of these fittings is 100 percent radiographically inspected.

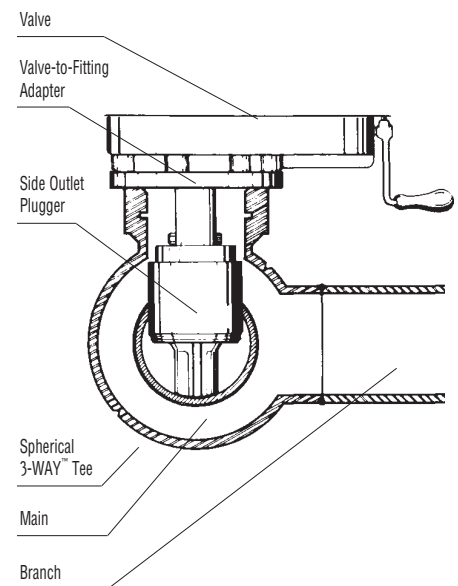
### Options

After work is completed, a LOCK-O-RING® Completion Plug can be installed in the neck of the fitting, permitting removal of the tapping valve. A blind flange can be installed, providing protection for the plug.

## ■ Typical Applications



The bottom half of the Spherical 3-WAY™ Tee can be turned for either a side or bottom\* outlet as illustrated. The tee can also be installed horizontally.



ISO 9001 Certified

Toll Free  
**1-888-TDWmSon (839-6766)**



# Spherical 3-WAY™ Tee with LOCK-O-RING® Flange



■ 4- through 24-inch

## ASME Class 150

Maximum allowable operating pressure (in psi) per ASME B31.4 at -20 to 180° F = 285 psi.

Maximum allowable operating pressure (in psi) per ASME B31.8 at -20 to 100°F see chart below.

| Size   |     | Weight |      | Design Factor |     |     |     | Part Number       |
|--------|-----|--------|------|---------------|-----|-----|-----|-------------------|
| Inches | DN  | lbs    | Kgs  | .40           | .50 | .60 | .72 |                   |
| 4      | 100 | 48     | 22   | 285           | 285 | 285 | 285 | 26-1863-0415-00   |
| 6      | 150 | 95     | 43   | 285           | 285 | 285 | 285 | 26-1863-0615-00   |
| 8      | 200 | 150    | 68   | 285           | 285 | 285 | 285 | 26-1863-0815-00   |
| 10     | 250 | 340    | 155  | 285           | 285 | 285 | 285 | 26-1863-1015-00   |
| 12     | 300 | 380    | 173  | 285           | 285 | 285 | 285 | 26-1863-1215-00   |
| 16     | 400 | 875    | 397  | 285           | 285 | 285 | 285 | 26-1101-0000-suff |
| 18     | 450 | 1180   | 535  | 250           | 285 | 285 | 285 | 26-1061-0000-suff |
| 20     | 500 | 1295   | 587  | 210           | 260 | 285 | 285 | 26-0906-0000-suff |
| 24     | 600 | 2235   | 1013 | 185           | 230 | 275 | 285 | 26-0911-0000-suff |

## ASME Class 300

Maximum allowable operating pressure (in psi) per ASME B31.4 at -20 to 180° F = 740 psi.

Maximum allowable operating pressure (in psi) per ASME B31.8 at -20 to 100°F see chart below.

| Size   |     | Weight |      | Design Factor |     |     |     | Part Number       |
|--------|-----|--------|------|---------------|-----|-----|-----|-------------------|
| Inches | DN  | lbs    | Kgs  | .40           | .50 | .60 | .72 |                   |
| 4      | 100 | 60     | 27   | 435           | 545 | 650 | 740 | 26-1863-0430-00   |
| 6      | 150 | 100    | 45   | 410           | 510 | 615 | 740 | 26-1863-0630-00   |
| 8      | 200 | 160    | 73   | 495           | 620 | 740 | 740 | 26-1863-0830-00   |
| 10     | 250 | 340    | 155  | 500           | 625 | 740 | 740 | 26-1863-1030-00   |
| 12     | 300 | 380    | 173  | 470           | 590 | 710 | 740 | 26-1863-1230-00   |
| 16     | 400 | 890    | 202  | 445           | 555 | 670 | 740 | 26-1103-0000-suff |
| 18     | 450 | 1200   | 544  | 410           | 515 | 615 | 740 | 26-1063-0000-suff |
| 20     | 500 | 1310   | 594  | 410           | 510 | 615 | 740 | 26-0907-0000-suff |
| 24     | 600 | 2350   | 1065 | 425           | 535 | 640 | 740 | 26-0912-0000-suff |

## ASME Class 600

Maximum allowable operating pressure (in psi) per ASME B31.4 at -20 to 180° F = 1480 psi.

Maximum allowable operating pressure (in psi) per ASME B31.8 at -20 to 100°F see chart below.

| Size   |     | Weight |      | Design Factor |      |      |      | Part Number       |
|--------|-----|--------|------|---------------|------|------|------|-------------------|
| Inches | DN  | lbs    | Kgs  | .40           | .50  | .60  | .72  |                   |
| 4      | 100 | 75     | 34   | 1000          | 1250 | 1480 | 1480 | 26-1863-0460-00   |
| 6      | 150 | 160    | 73   | 890           | 1115 | 1340 | 1480 | 26-1863-0660-00   |
| 8      | 200 | 270    | 123  | 860           | 1075 | 1290 | 1480 | 26-1863-0860-00   |
| 10     | 250 | 540    | 245  | 830           | 1040 | 1245 | 1480 | 26-1863-1060-00   |
| 12     | 300 | 750    | 341  | 930           | 1165 | 1400 | 1480 | 26-1863-1260-00   |
| 16     | 400 | 1390   | 630  | 820           | 1025 | 1230 | 1480 | 26-1104-0000-suff |
| 18     | 450 | 1865   | 846  | 820           | 1025 | 1230 | 1480 | 26-1064-0000-suff |
| 20     | 500 | 2390   | 1084 | 825           | 1030 | 1235 | 1480 | 26-0908-0000-suff |
| 24     | 600 | 3615   | 1639 | 820           | 1025 | 1230 | 1480 | 26-0914-0000-suff |