



# No. 3 Branch Connection Fittings

## Sizes: 2- Through 24-inch



T.D. Williamson, Inc.

Bulletin No: **1110.002.00**

Date: February 2007

Cross Indexing No: n/a

Supersedes: n/a



■ No. 3 Branch Connection Fitting  
STOPPLE® Fitting Shown

### Description

TDW has developed the Class 150, 300 and 600 No. 3 Branch Connection Fitting, designed to meet B31.3 requirements for refinery and chemical plant applications in sizes 2- through 24-inch. These fittings can be used on standard weight and larger pipe. Three different types of flanges are available along with a full encirclement reinforcing saddle.

### Features

The No. 3 Branch Connection fitting is a saddle fitting welded directly to the pipe. The following are additional features.

- All three classes of the fitting are rated to 700°F.
- When desired, a full encirclement reinforcing saddle is welded around the installed fitting, providing additional support and strength.
- Both the LOCK-O-RING® and LOCK-O-RING® Plus versions accept a completion plug and blind flange, permitting removal of the tapping valve (see note).

### Options

Options include:

- A choice of three flanges is available: Tapping, LOCK-O-RING, or LOCK-O-RING Plus (see note).
- Available in Class 150, 300 or 600
- With or without a full encirclement reinforcing saddle
- Choice of BUNA-N, Viton or EPDM O-Ring with LOCK-O-RING Flange and reinforcing saddle.
- Pressure ratings shown are for suffix option 10 @ 100°F only. Consult factory for additional ratings for higher temperatures.

**Note: The No. 3 Branch Connection Fitting with LOCK-O-RING® Plus Flange is available exclusively through TDW Services, Inc. Call 1-800-828-1988 for more information.**



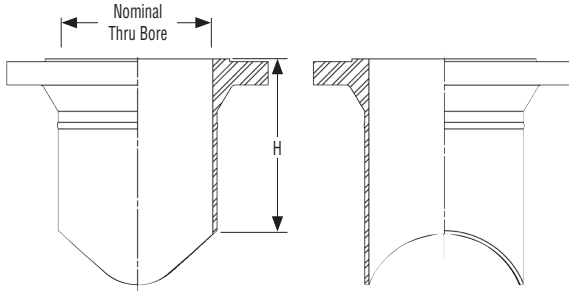
■ Full Encirclement Reinforcing Saddle  
Optional

ISO 9001 Certified

**Toll Free**  
**1-800-828-1988**



# No. 3 Branch Connection Tapping Fittings



Suffix Options

-10 Without Full Encirclement Saddle

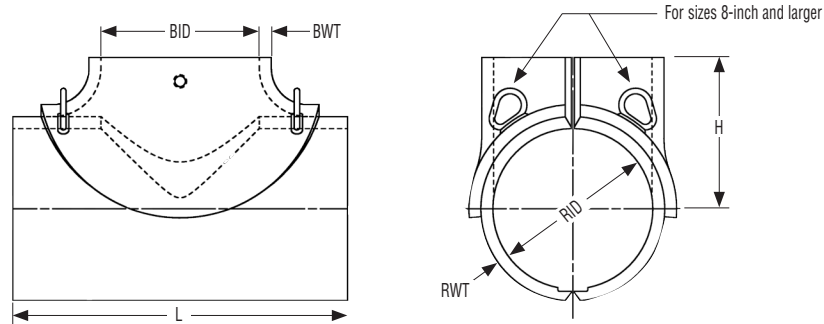
-15 With Full Encirclement Saddle

\*Pressure rating for Suffix -10

Class	Size Inches	DN	Nominal Thru Bore	Lbs.	Kg.	H	Part Number	*Max Temp / Pressure Rating
								100° F
Class 150	2	50	2.067	9	4	9.50	26-1876-0215-XX	285
	3	80	3.068	17	8	9.75	26-1876-0315-XX	285
	4	100	4.026	25	11	10.25	26-1876-0415-XX	285
	6	150	6.065	40	18	11.50	26-1876-0615-XX	285
	8	200	7.981	65	29	12.25	26-1876-0815-XX	285
	10	250	10.020	90	41	12.50	26-1876-1015-XX	285
	12	300	12.000	130	59	13.50	26-1876-1215-XX	285
	14	350	13.250	165	75	14.50	26-1876-1415-XX	285
	16	400	15.250	205	93	14.50	26-1876-1615-XX	285
	18	450	17.250	230	104	15.25	26-1876-1815-XX	285
Class 300	20	500	19.250	280	127	16.44	26-1876-2015-XX	285
	24	600	23.250	400	181	17.50	26-1876-2415-XX	280
	2	50	2.067	11	5	9.75	26-1876-0230-XX	740
	3	80	3.068	16	7	10.125	26-1876-0330-XX	740
	4	100	4.026	29	13	10.625	26-1876-0430-XX	740
	6	150	6.065	55	25	11.875	26-1876-0630-XX	740
	8	200	7.981	95	43	12.625	26-1876-0830-XX	695
	10	250	10.020	130	59	13.125	26-1876-1030-XX	625
	12	300	12.000	190	86	14.125	26-1876-1230-XX	540
	14	350	13.250	250	113	15.125	26-1876-1430-XX	490
Class 600	16	400	15.250	320	145	15.250	26-1876-1630-XX	425
	18	450	17.250	380	172	16.00	26-1876-1830-XX	375
	20	500	19.250	480	217	17.125	26-1876-2030-XX	335
	24	600	23.250	670	304	18.125	26-1876-2430-XX	280
	2	50	2.067	12	5	10.125	26-1876-0260-XX	1260
	3	80	3.068	21	10	10.50	26-1876-0360-XX	1195
	4	100	4.026	47	21	11.50	26-1876-0460-XX	1005
	6	150	6.065	90	41	12.875	26-1876-0660-XX	790
	8	200	7.981	140	64	13.75	26-1876-0860-XX	695
	10	250	10.020	220	100	14.75	26-1876-1060-XX	625
	12	300	12.000	270	122	15.375	26-1876-1260-XX	540
	14	350	13.250	390	177	16.25	26-1876-1460-XX	490
	16	400	15.250	530	240	16.75	26-1876-1660-XX	425
	18	450	17.250	610	277	17.25	26-1876-1860-XX	375
	20	500	19.250	780	354	18.50	26-1876-2060-XX	335
	24	600	23.250	1080	490	19.75	26-1876-2460-XX	280



# Full Encirclement Saddle for No. 3 Branch Connection Fittings

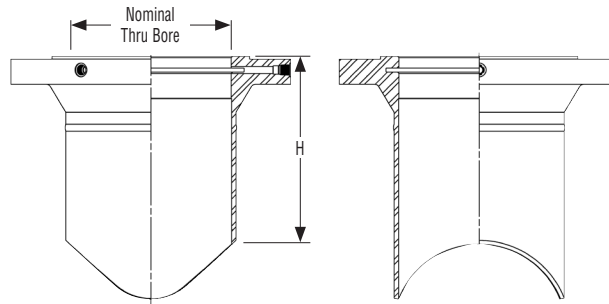


Size Inches	RID	RWT	BID	BWT	L	H	Lbs.	Kg.	Part Number
2 x 2	2.375	.50	2.438	.313	10	3.188	10	5	00-8730-0001-00
3 x 3	3.500	.50	3.562	.406	12	3.750	15	7	00-8730-0002-00
4 x 4	4.500	.50	4.562	.375	14	4.500	25	11	00-8730-0003-00
6 x 6	6.625	.50	6.688	.500	18	6.312	55	25	00-8730-0004-00
8 x 8	8.625	.50	8.688	.500	22	7.562	90	41	00-8730-0005-00
10 x 10	10.75	.50	10.812	.500	26	8.875	135	61	00-8730-0006-00
12 x 12	12.75	.50	12.812	.500	30	10.375	180	82	00-8730-0007-00
14 x 14	14.00	.50	14.062	.500	34	11.500	220	100	00-8730-0008-00
16 x 16	16.00	.50	16.062	.500	38	12.50	330	150	00-8730-0009-00
18 x 18	18.00	.50	18.062	.500	42	13.75	440	200	00-8730-0010-00
20 x 20	20.00	.50	20.062	.500	44	15.75	500	227	00-8730-0011-00
24 x 24	24.00	.50	24.062	.500	52	18.50	710	322	00-8730-0012-00
42 x 36	42.00	.50	36.250	.500	76	24.50	1400	635	00-8730-0013-00

Standard Material: ASTM A516 GR. 70, other materials available upon request



# No. 3 Branch Connection STOPPLE® Fittings



Example: 26-1875-0415-20 is for a 4-inch 150lb STOPPLE® Fitting with Viton O-ring and no saddle.

Class	Size		Nominal Thru Bore	Lbs.	Kg.	H	Part Number	*Max Temp / Pressure Rating
	Inches	DN						100° F
Class 150	4	100	3.969	34	15	10.688	26-1875-0415-XX	285
	6	150	5.968	60	27	11.75	26-1875-0615-XX	285
	8	200	7.940	95	43	12.50	26-1875-0815-XX	285
	10	250	9.940	130	59	13.00	26-1875-1015-XX	285
	12	300	11.875	190	59	14.00	26-1875-1215-XX	285
	14	350	13.187	260	118	15.00	26-1875-1415-XX	285
	16	400	15.188	330	150	16.50	26-1875-1615-XX	285
	18	450	17.125	350	159	16.656	26-1875-1815-XX	285
	20	500	19.125	440	200	17.50	26-1875-2015-XX	285
	24	600	23.125	600	272	17.062	26-1875-2415-XX	280
Class 300	4	100	3.969	45	20	10.625	26-1875-0430-XX	740
	6	150	5.968	60	27	11.938	26-1875-0630-XX	740
	8	200	7.940	90	41	12.562	26-1875-0830-XX	695
	10	250	9.940	130	59	13.00	26-1875-1030-XX	625
	12	300	11.875	170	77	14.00	26-1875-1230-XX	540
	14	350	13.187	220	100	15.00	26-1875-1430-XX	490
	16	400	15.188	310	141	16.188	26-1875-1630-XX	425
	18	450	17.125	370	168	16.312	26-1875-1830-XX	375
	20	500	19.125	440	200	17.25	26-1875-2030-XX	335
	24	600	23.125	570	259	19.188	26-1875-2430-XX	280
Class 600	4	100	3.969	55	25	11.375	26-1875-0460-XX	1005
	6	150	5.968	80	36	12.75	26-1875-0660-XX	790
	8	200	7.940	140	64	13.625	26-1875-0860-XX	695
	10	250	9.940	220	100	14.625	26-1875-1060-XX	625
	12	300	11.875	270	122	15.00	26-1875-1260-XX	540
	14	350	13.187	320	145	16.00	26-1875-1460-XX	490
	16	400	15.188	440	200	16.50	26-1875-1660-XX	425
	18	450	17.125	610	277	16.562	26-1875-1860-XX	375
	20	500	19.125	670	304	19.031	26-1875-2060-XX	335
	24	600	23.125	930	422	20.25	26-1875-2460-XX	280

O-ring Material Suffix Options

		Max Temp Rating
-1X	Buna-N	180°F
-2X	Viton	400°F
-3X	EPDM	300°F

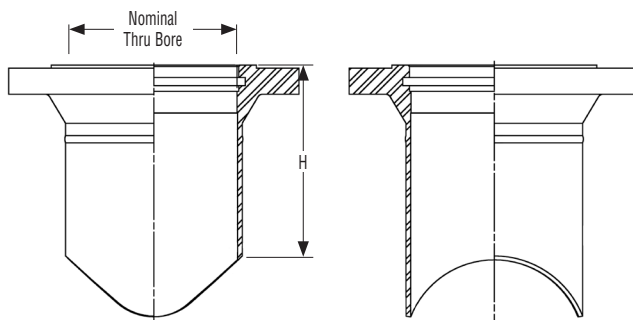
Saddle Suffix Options

-X0	Without Full Encirclement Saddle
-X5	With Full Encirclement Saddle

\*Pressure rating for Suffix -10



# No. 3 Branch Connection LOCK-O-RING® Plus Fittings



Class	Size	Nominal		Lbs.	Kg.	H	Part Number	*Max Temp / Pressure Rating
	Inches	DN	Thru Bore					100° F
Class 150	4	100	3.968	37	17	10.72	26-1877-0415-XX	285
	6	150	5.968	60	27	11.75	26-1877-0615-XX	285
	8	200	7.940	95	43	12.47	26-1877-0815-XX	285
	10	250	9.940	130	59	13.02	26-1877-1015-XX	285
	12	300	11.875	190	86	14.02	26-1877-1215-XX	285
	14	350	13.188	250	113	15.02	26-1877-1415-XX	285
	16	400	15.188	290	132	14.60	26-1877-1615-XX	285
	18	450	17.125	355	161	15.31	26-1877-1815-XX	285
Class 300	20	500	19.125	430	195	16.14	26-1877-2015-XX	285
	4	100	3.968	47	21	11.21	26-1877-0430-XX	625
	6	150	5.968	65	29	12.00	26-1877-0630-XX	740
	8	200	7.940	95	43	12.47	26-1877-0830-XX	695
	10	250	9.940	130	59	13.02	26-1877-1030-XX	625
	12	300	11.875	190	86	14.02	26-1877-1230-XX	505
	14	350	13.188	240	109	15.02	26-1877-1430-XX	490
	16	400	15.188	290	132	15.60	26-1877-1630-XX	425
Class 600	18	450	17.125	360	163	15.31	26-1877-1830-XX	375
	20	500	19.125	430	195	16.14	26-1877-2030-XX	335
	4	100	3.968	60	27	11.91	26-1877-0460-XX	625
	6	150	5.968	90	41	12.75	26-1877-0660-XX	790
	8	200	7.940	140	64	13.59	26-1877-0860-XX	695
	10	250	9.940	220	100	14.64	26-1877-1060-XX	625
	12	300	11.875	270	122	14.81	26-1877-1260-XX	505
	14	350	13.188	390	177	15.66	26-1877-1460-XX	490
	16	400	15.188	530	240	17.44	26-1877-1660-XX	425
	18	450	17.125	500	227	16.49	26-1877-1860-XX	375
	20	500	19.125	630	286	17.66	26-1877-2060-XX	335

Saddle Suffix Options

-10 Without Full Encirclement Saddle

-15 With Full Encirclement Saddle

\*Pressure rating for Suffix -10

**Note: The No. 3 Branch Connection Fitting with LOCK-O-RING® Plus Flange is available exclusively through TDW Services, Inc. Call 1-800-828-1988 for more information.**



**T.D. Williamson, Inc.**

1110.002.00- p6