

# SHORTSTOPP® PE Fittings

## Sizes: 4- through 8-inch



T.D. Williamson, Inc.

Bulletin No: 2120.001.02  
Date: September 2011  
Cross Indexing No: n/a  
Supersedes: 2120.001.01

### ■ SHORTSTOPP® PE Bottom Branch Outlet Fitting 4- to 8-inch (4-inch shown)



### Description

Integral to the SHORTSTOPP® PE Plugging system are two versatile PE fittings in sizes 4, 6 and 8 inches. Depending on whether you want to install a bottom-out connection for a branch line, or just plug the main while making repairs, TDW has the right kind of electro-fusion fitting for your task.

Bottom-out fittings for branch connections are available in 4 x 4; 6 x 6, and 8 x 6-inch sizes. These fittings are easy to install and eliminate the need for a squeeze-off operation. When installing a branch line and a bypass is required to keep the main flowing, the squeezing process requires more parts and a larger excavation to open and fill. With the TDW SHORTSTOPP PE system and PE fittings, less pipeline modification is required.

### Features

The fittings are easily installed after pipe preparation with a standard electrofusion processor. The addition of a fitting support kit will let you do the work using your SHORTSTOPP II plugging system. The tap can be made with the lightweight PS2000 PE tapping machine or the T-101 drilling machine using special PE cutters, or the T-101 XL if tapping for a bottom outlet. The PE line can be plugged with a SHORTSTOPP PE 3x4 or 4x6 plugging machine.

A special completion machine is required to install the threaded plug.

The combination of SHORTSTOPP II and the PE plugging system provide the following results:

- The best isolation option
- Branching capability
- Branch plugging capability
- Bypass capability
- Completion plug installation, permitting removal of the valve

### Options

PE Fitting options include:

- Eliminate the option of squeezing off, thereby minimizing the size of the dig site.
- Fittings for line plugging or bottom branch outlet.
- Tap with either the T-101 Drilling Machine or PS2000 PE Drilling Machine.
- When plugging the main, a bypass can be used, keeping the line in service.

### ■ Typical Setup



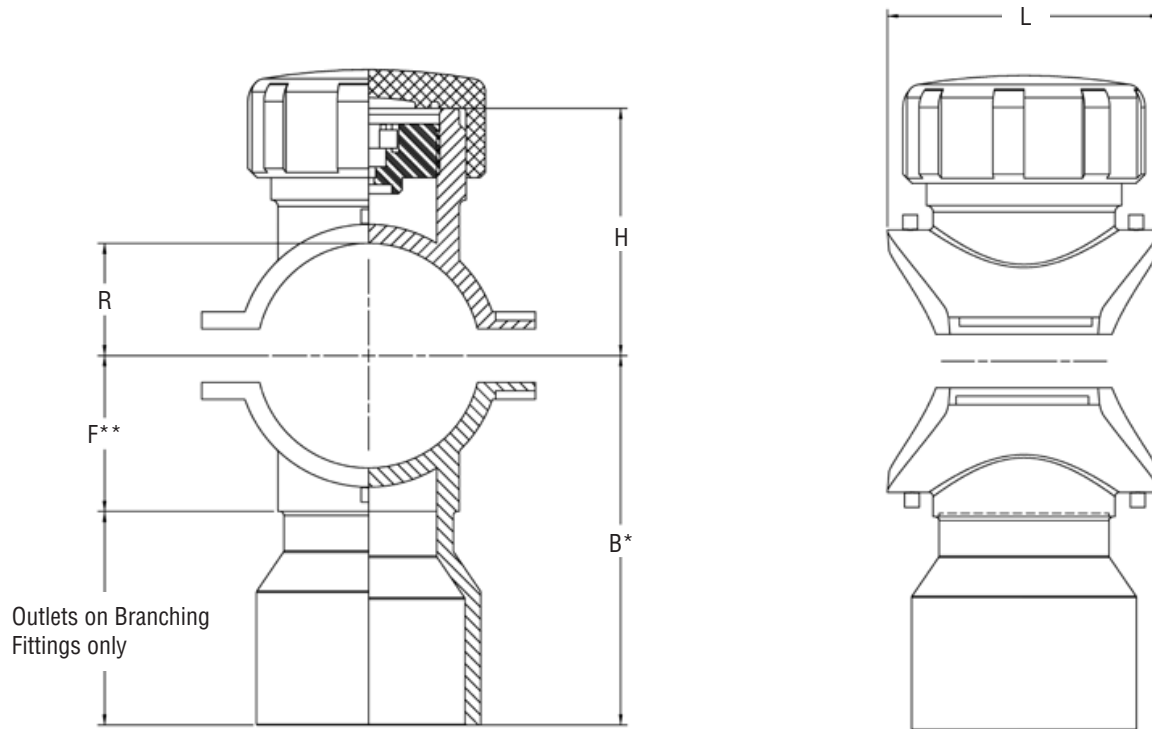
■ PE Bottom Branch Outlet Fitting

ISO 9001 Certified

Toll Free

**1-888-TDWmSon (839-6766)**

# PE Plugging & Bottom Branch Outlet Fittings



## PE Plugging and Branching Fittings

Size	Fitting	Type	H	R	B*	L	F**	Part Number
Inches								
4	Branching		5.51	2.24	6.89	8.37	n/a	26-2634-1000
6	Branching		7.28	3.31	11.18	9.51	n/a	26-2636-1000
8	Branching		7.48	4.31	12.19	8.52	n/a	26-1308-1000