

Spherical 3-WAY™ Tee

Sizes: 2- through 12-inch



T.D. Williamson, Inc.

Bulletin No: 2100.007.03
 Date: January 2005
 Cross Indexing No: n/a
 Supersedes: 2100.007.02 (10/02)



■ Spherical 3-WAY™ Tee
 Sizes 2" and 3"



■ Spherical 3-WAY™ Tee
 Sizes 4" through 12"

Description

Full-encirclement, low-profile Spherical 3-WAY™ Tee is designed for use with the TDW SHORTSTOPP® Plugging Machine system.

The bore of the 4" through 12" (DN 100 - DN 300) tee is internally grooved to engage the leaves of standard completion plugs. The 2" and 3" (DN 50 - DN 80) tees are internally threaded to receive completion plugs.

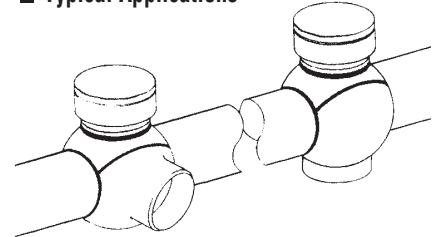
In the 4" through 12" sizes, reusable bolt-on flange adapters adapt the tee to TDW SHORTCUTT® and SHORTSTOPP® Valves.

Features

When used with SHORTSTOPP® Plugging Machines, the maximum recommended working pressure and temperature should be limited to that of the plugging equipment, but not exceeding that of the fitting itself.

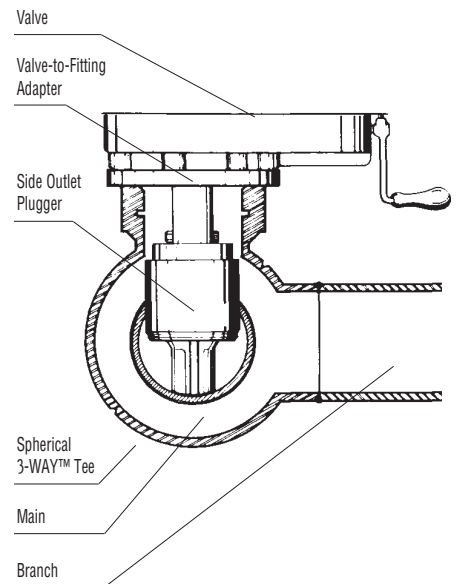
All fittings are compatible with most ASME Class 150 applications. With the plugging equipment removed, the maximum working pressure is 285 psi (20 bar) at 100°F (38°C) or 245 psi (17 bar) at 180°F (82°C) per ASME B31.4. See chart on page 2 for MAOP per ASME B31.8.

Typical Applications



The bottom half of the Spherical 3-WAY™ Tee can be turned for either a side or bottom* outlet as illustrated. The tee can also be installed horizontally.

*Use of SHORTSTOPP® 275 Plugging Machines is not recommended in bottom outlet configuration.



The SHORTSTOPP® 275 system's Side Outlet Plugging Machine is used with Spherical 3-WAY™ Tees to plug the tapped hole in a main. It forms a pressure-tight seal that simultaneously allows flow to continue in the main while preventing it from escaping into the side outlet. This permits maintenance work on the branch line without interruption of flow in the main line.

ISO 9001 Certified

Toll Free
1-888-TDWmSon (839-6766)



Spherical 3-WAY™ Tee



■ 2- and 3-inch

■ 4- through 12-inch

Valve-to-Fitting Adapters for 4" through 12" (DN 100 - DN 300) Spherical 3-WAY™ Tee

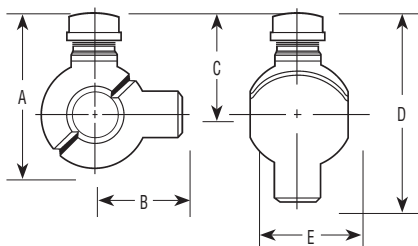
Size		Weight		Part Number
Inches	DN	Lbs.	Kg.	
4	100	10	5	06-5724-0001
6	150	13	6	06-5724-0002
8	200	25	11	06-5724-0003
10	250	40	18	06-5724-0010
12	300	55	25	06-5724-0011

Spherical 3-WAY™ Tee for Use with SHORTSTOPP® 60 and 275 Plugging Machines

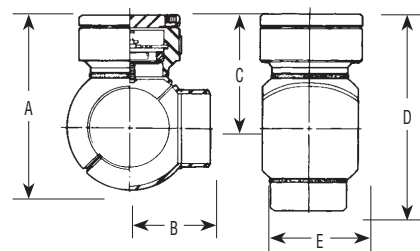
Maximum Allowable Operating Pressure in PSI, Per ASME B31.8 at -20 to +100° F

Size		Weight		Part Number	Design Factor				Spare O-rings	Spare Gaskets
Inches	DN	Lbs.	Kg.		0.72	0.6	0.5	0.4		
2	50	22	10	26-0932-0000	285	285	285	285	00-0117-0010	--
3	80	32	15	26-0933-0000	285	285	285	285	00-0117-0013	--
4	100	40	18	26-0934-0000	285	285	285	285	00-1250-0001	00-5238-0004-01
6	150	80	36	06-7224-0000	285	285	285	285	00-1250-0002	00-5238-0006-01
8	200	101	46	06-7225-0000	285	285	285	285	00-1250-0003	00-5238-0008-01
10	250	177	80	06-7226-0000	285	285	285	285	00-1250-0004	00-5238-0010-01
12	300	252	114	06-7227-0000	285	285	285	285	00-1250-0005	00-5238-0012-01

Spherical 3-WAY™ Tee complete includes: cap or cover flange with gasket, cap screws and plastic caplugs, completion plug and tee.



Sizes 2" (50 mm) and 3" (80 mm)



Sizes 4" (100 mm), 6" (150 mm), 8" (200 mm), 10" (250 mm) and 12" (300 mm)

Dimensions

Size		A		B		C		D		E	
Inches	DN	Inches	mm	Inches	mm	Inches	mm	Inches	mm	Inches	mm
2	50	10	254	4.750	121	6.718	171	11.468	291	6.156	156
3	80	13	330	5.625	143	8.687	221	14.312	364	7.843	199
4	100	11.687	297	5.406	137	7.375	187	12.781	325	7.312	186
6	150	16.125	410	7.750	196	9.750	248	17.500	444	10.875	276
8	200	17.062	433	8.375	212	10.062	255	18.437	468	10.937	277
10	250	21.312	541	10.437	265	12.312	312	22.750	577	14.375	365
12	300	22.812	579	11.312	287	12.812	325	24.125	613	14.812	376