

Tapping and SHORTSTOPP® 60 Plugging Machine

Equipment Needed to Plug a 12" Gas Main



T.D. Williamson, Inc.

Data Sheet No. SS60-12

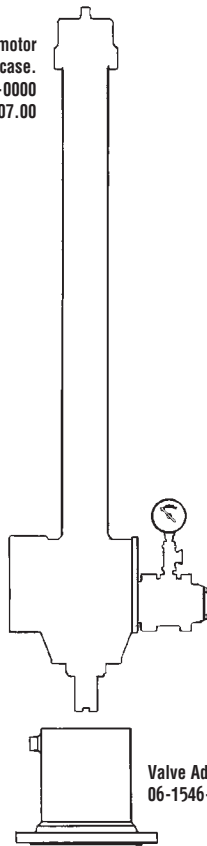
Date: September 2004

Supersedes: March 1999

Tapping

- Note: If you have 10" SHORTSTOPP® plugging equipment, see back of Product Data Sheet.

T-203 Tapping Machine with air motor drive assembly and carrying case.
Stock No. 05-2173-0000
Reference Bulletin 2100.007.00



Valve Adapter
06-1546-0000



Cutter Holder
05-0326-0000



12" SHORTSTOPP®
Cutter (nominal)
05-0330-0012



Pilot Drill
05-0247-0004

Fitting (includes cover flange with bolts, gasket and plastic caplugs, completion plug and O-ring) Stock No. 06-7217-0000

Plugging

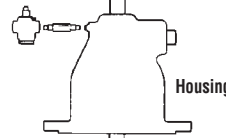
Plugging Machine
Reference Bulletin 2020.001.00

Bleeder Valve*
00-0774-0001
Nipple*
00-0220-0001

*Not included with machine.

12" SHORTSTOPP® 60 Plugging Machine includes: plugging head, chip sweep and housing. Stock No. 08-0104-0000

Note: The plugging machine can be converted to a completion machine by removing two bolts and replacing the plugging head with a completion plug holder.



Housing



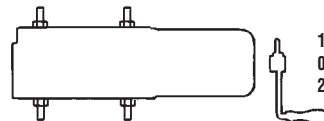
12-inch Spool Adapter
06-1165-0178
Required to set 12-inch SHORTPLUG™ with Guide Bars in all SHORTSTOPP Type II fittings.

12" Plugging Head and Sealing Cup

12" Chip Sweep



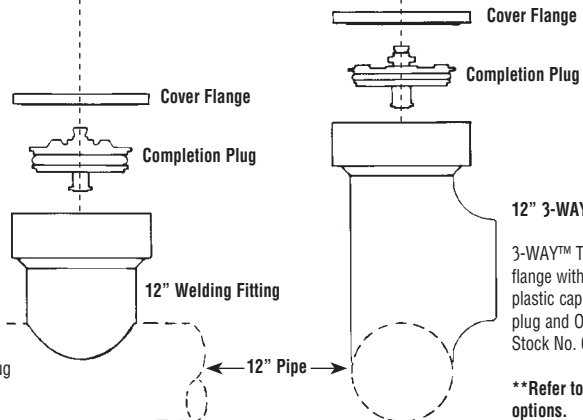
Completion Plug Holder
08-0125-0000



12" SHORTCUTT® Valve
09-0044-0000
275 PSI

Valve-to-Fitting Adapter
06-5724-0011

Optional**



Cover Flange

Completion Plug

Cover Flange

Completion Plug

12" Welding Fitting

12" Pipe

12" 3-WAY™ Tee

3-WAY™ Tee (includes cover flange with bolts, gasket and plastic caplugs, completion plug and O-ring)
Stock No. 06-7222-0000

**Refer to back for fitting options.

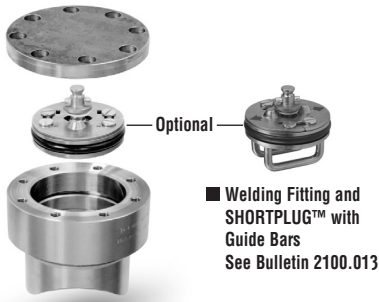


T.D. Williamson, Inc.

Data Sheet No. **SS60-12**

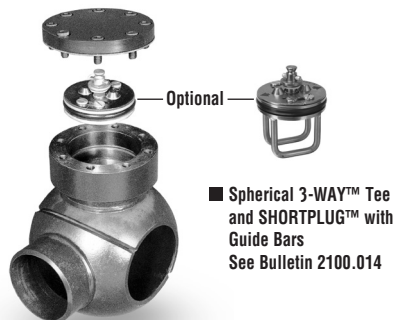
Fittings

Tapping and **SHORTSTOPP® 60** Plugging Machine 12" Gas Main



■ **Welding Fitting and SHORTPLUG™ with Guide Bars**
See Bulletin 2100.013

■ **Welding Fitting**
See Bulletin 2100.003



■ **Spherical 3-WAY™ Tee and SHORTPLUG™ with Guide Bars**
See Bulletin 2100.014

■ **Spherical 3-WAY™ Tee**
See Bulletin 2100.007



■ **3-WAY™ Tee and SHORTPLUG™ with Guide Bars**
See Bulletin 2100.012

■ **3-WAY™ Tee**
See Bulletin 2100.002



■ **Mechanical SHORTSLEEVE™ Fitting**
See Bulletin 2110.001.00




■ **Branch Type II 3-WAY™ Tee**
See Bulletin 2100.011



■ **Branch Type II Plugging Fitting**
See Bulletin 2100.010

■ **Note:** If you already have 12" **SHORTSTOPP®** plugging equipment, the additional accessories shown below are all that are needed to plug 10" mains (plus Welding Fittings).

 **10" x 12" Valve-to-Fitting Adapter**
06-5724-0012

 **10" **SHORTSTOPP®** Cutter (nominal)**
05-0330-0010

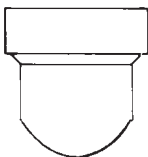
 **Pilot Drill**
05-0293-0004

 **Completion Plug Holder**
08-0124-0000

 **10" Plugging Head, Sealing Cup and Chip Sweep**
08-0328-0000

 **Cover Flange**

 **Completion Plug**

 **Welding Fitting**
10" Welding Fitting includes: cover flange with bolts, gasket and plastic caplugs, completion plug and O-ring.
Stock No. 06-7216-0000

10" **SHORTCUTT®** Valve not available. The 10" **SHORTSTOPP®** Plugging Machine is equipped with 12" housing for use with 12" **SHORTCUTT®** Valve and 10" x 12" adapter.

■ **Note:** Consult your TDW representative for additional fitting options.

Data Sheet No. **SS60-12**