

# Tapping and SHORTSTOPP® Plugging Machine

*Equipment Needed to Plug a 12" Gas Main to 500 psi  
through a 12-inch 300D Split Tee or Spherical Fitting*



T.D. Williamson, Inc.

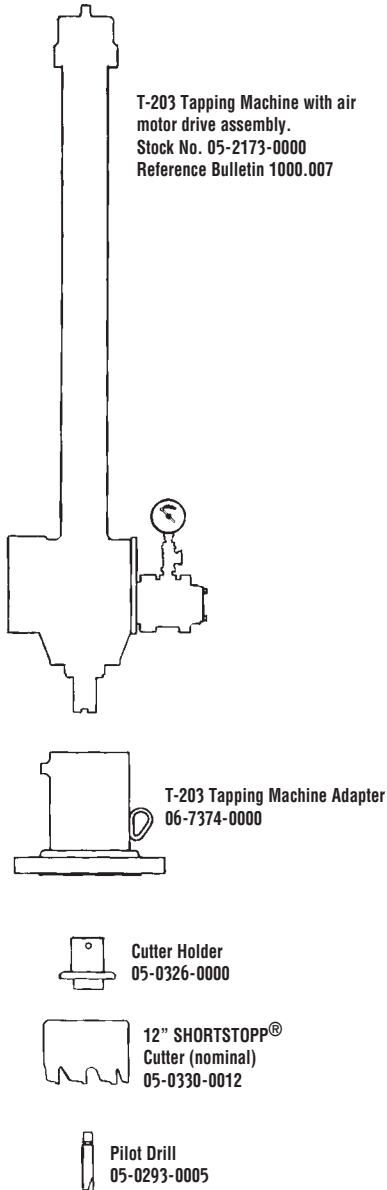
Data Sheet No. SS500-12A

Date: November 2004

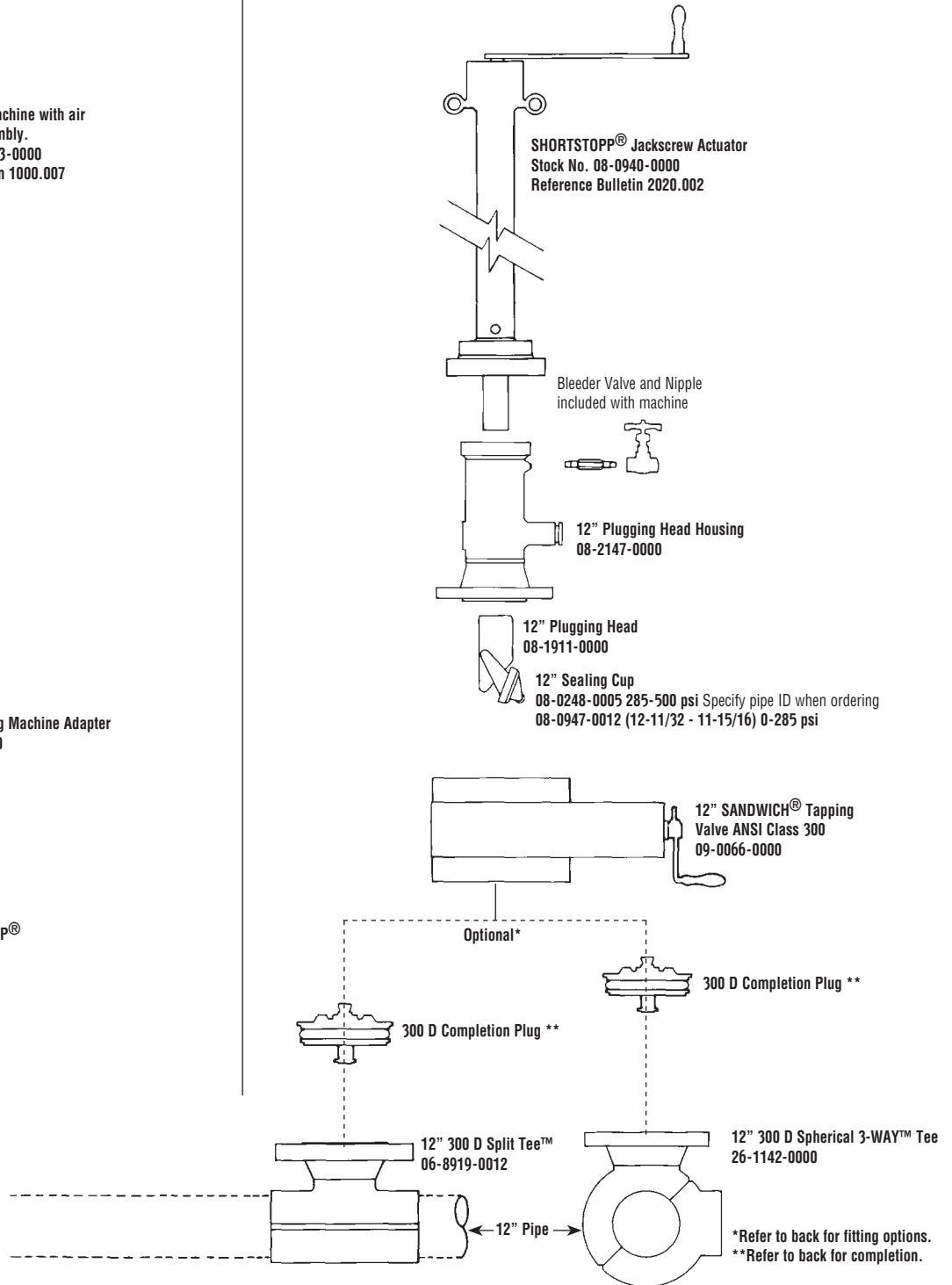
Supersedes: NA

Data Sheet No. SS500-12A

## Tapping



## Plugging





T.D. Williamson, Inc.

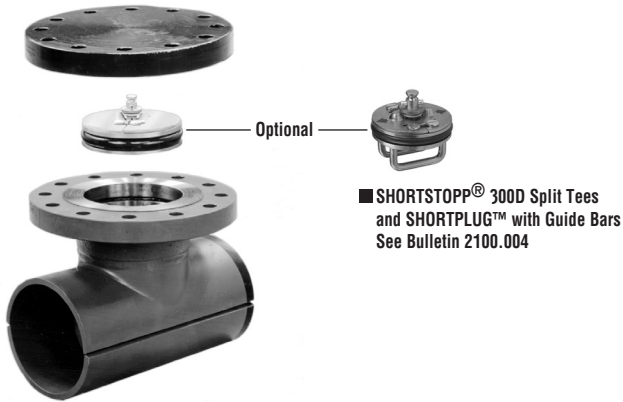
Data Sheet No. SS500-12A

# Fittings

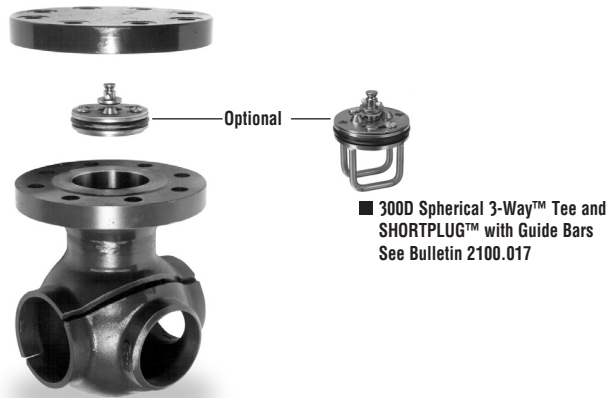
## Tapping and SHORTSTOPP® Plugging Machine

12-inch Gas Main to 500 psi through a 12-inch  
SHORTSTOPP® 300D Split Tee or Spherical Fitting

Data Sheet No. SS500-12A

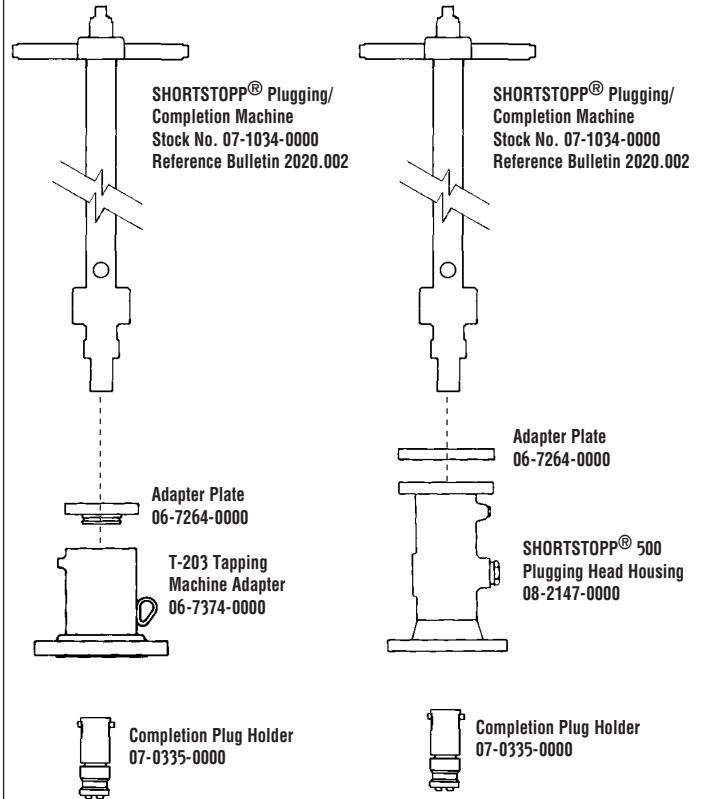


■ 300 D Full-encirclement Split Tee™  
See Bulletin 2100.004



■ 300 D Spherical 3-WAY™ Tee  
See Bulletin 2100.008

## Completion



■ Note 1: For Tapping and Plugging through a SHORTSTOPP® 300D 3-Way Tee™ see SS500-12A Data Sheet.

■ Note 2: Consult your TDW representative for additional fitting options.