

# Tapping and SHORTSTOPP® Plugging Machine

*Equipment Needed to Plug a 4" Gas Main to 285 psi  
Using Completion Machine*



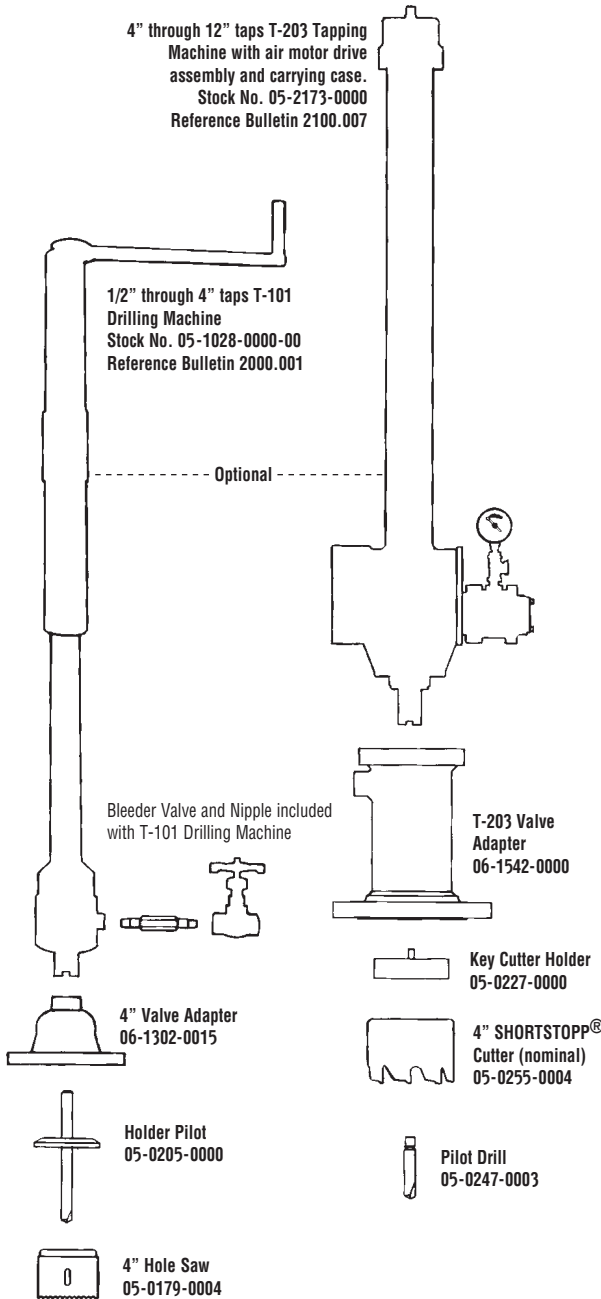
T.D. Williamson, Inc.

Data Sheet No. **SS275-4**

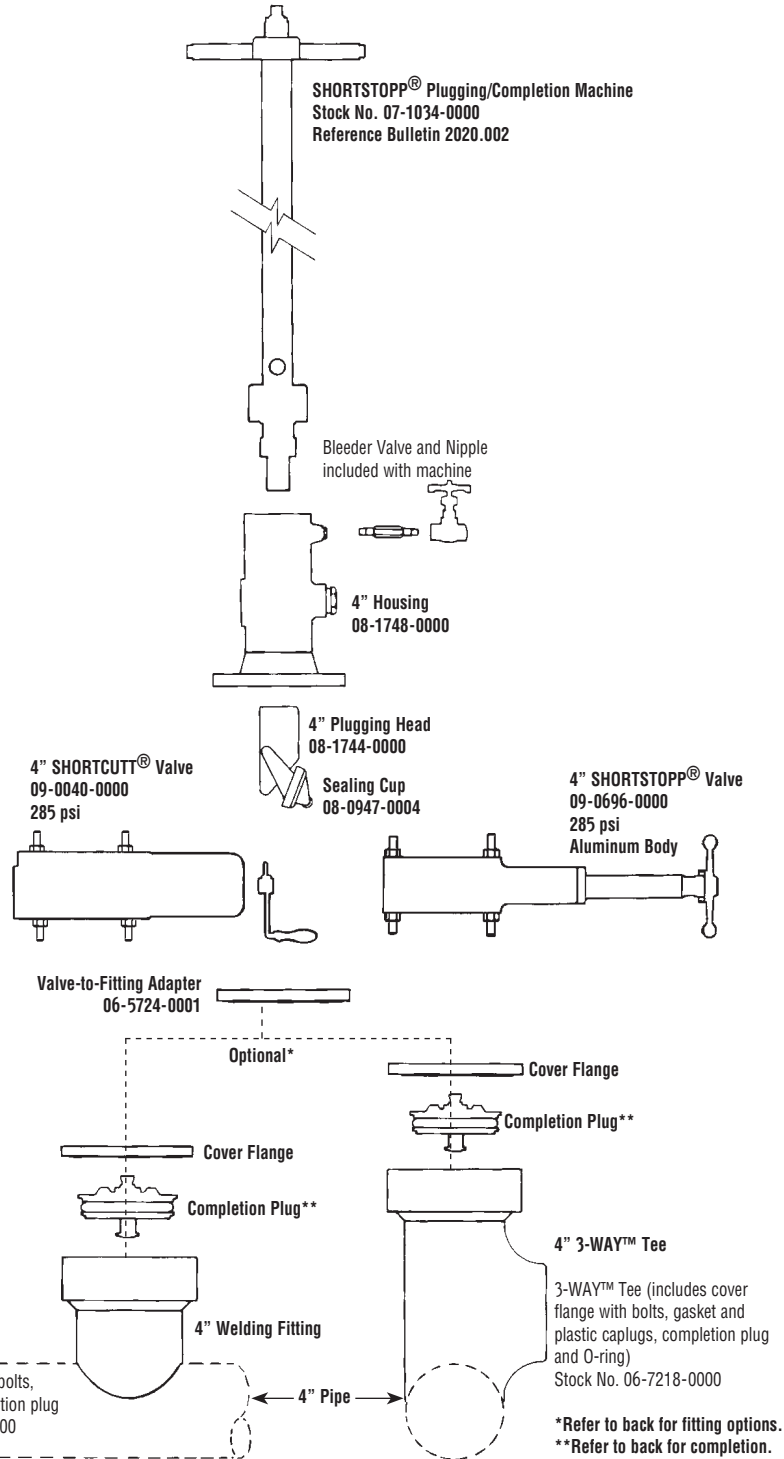
Date: September 2004

Supersedes: January 2003

## Tapping



## Plugging



Data Sheet No. SS275-4



T.D. Williamson, Inc.

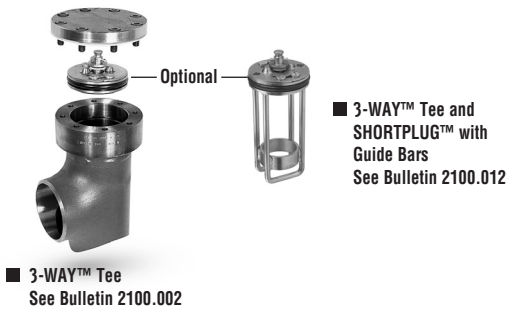
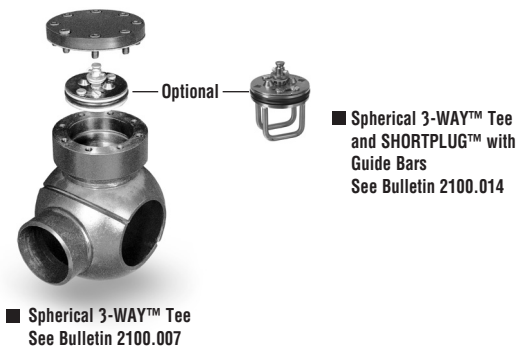
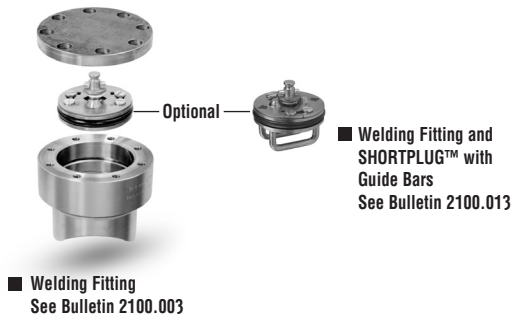
Data Sheet No. **SS275-4**

# Fittings

## Tapping and **SHORTSTOPP**® Plugging Machine

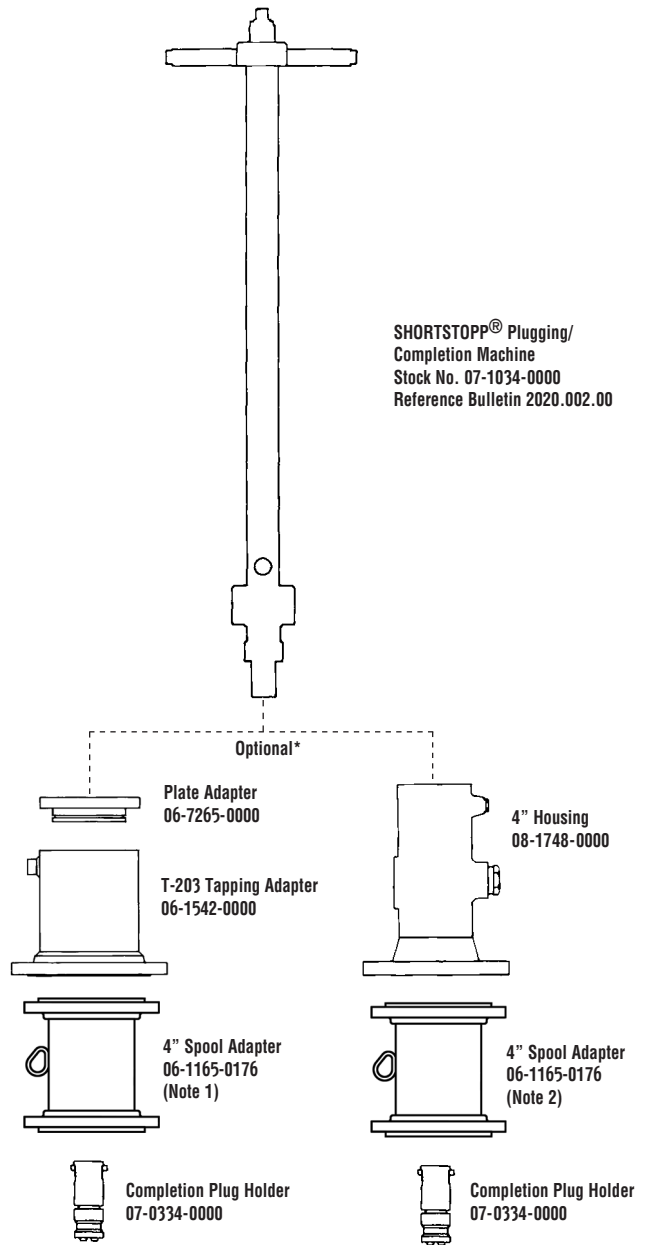
### 4" Gas Main to 285 psi

Data Sheet No. **SS275-4**



■ Note: Consult your TDW representative for additional fitting options.

## Completion



**SHORTSTOPP**® Plugging/Completion Machine  
Stock No. 07-1034-0000  
Reference Bulletin 2020.002.00

- Note 1: 4-inch Spool Adapter required to set 4-inch **SHORTPLUG**™ with Guide Bars in all **SHORTSTOPP** Type II fittings using the 06-1542-0000 T-203 Tapping Adapter.
- Note 2: 4-inch Spool Adapter required to set 4-inch **SHORTPLUG**™ with Guide Bars in **SHORTSTOPP** Type II 3-Way™ Tee fittings using the 08-1748-0000 4-inch Housing.