



SG-2 & LG-2 Gauging Pigs

Sizes: 4" through 36"



T. D. Williamson, Inc.

Bulletin No: 3030.002.00

Date: September 1998

Cross Indexing No: n/a

Supersedes: 205 (1/80)



■ SG-2



■ LG-2

Description

SG-2 and LG-2 Pigs are designed to indicate obstructions in new pipelines. They are equipped with durable urethane cups and steel or aluminum gauging flanges.

SG-2 and LG-2 Pigs will traverse 90° ells (1-1/2 D radius bend) and full opening, full bore valves. Guide bars are recommended across opening when branch is 75% of pipe ID. They are not recommended for use in lines that contain check valves.

TDW offers an alternate method to effectively inspect the pipe interior, an Electronic KALIPER® surveyor. This instrument can locate and evaluate reductions without damage to the pipe. For more information on KALIPER Surveys, contact TDW Pipeline Surveys.

Features

SG-2 and LG-2 Pigs utilize TDW's new urethane scraper cups, which are made of liquid-cast urethane, a high-strength, tough elastomer. Urethane cups operate in temperatures ranging from -20°F to 200°F (-29°C to 93°C).

Options

T. D. Williamson, Inc., is committed to providing you with the exact product to assist you in planning, budgeting, and meeting the specifications for your individual application needs. To help you obtain the proper pig for your application, check to see if the selection is capable of traversing your particular pipeline components.

The following options are available:

- SG-2 Gauging Pigs are available in sizes 4" (100 mm) through 14" (350 mm). LG-2 Pigs are available in sizes 16" (400 mm) through 36" (900 mm).
- SG-2 Pigs are available with heavy duty type urethane scraper cups. Cups are also available in Buna-N, Neoprene and Viton.
- 3-cup and 4-cup pigs are available.
- Aluminum and slotted aluminum gauging flanges are available in place of steel.
- Gauge plates may be installed on either the front or rear of the pig or at both locations.
- Gauge plate outside diameter may be specified by the customer.

Toll Free

1-800-571-7447

1-888-TDWmSon (839-6766)

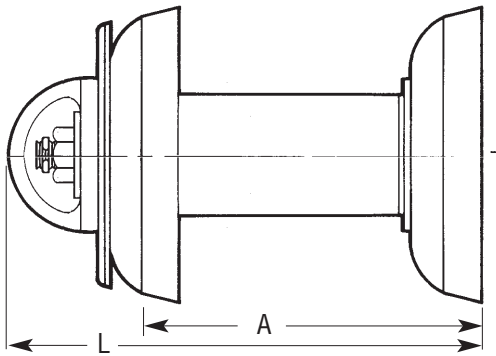
SG-2 & LG-2 Gauging Pigs

Sizes 4" through 36"

| SG 2 | | | | | | | LG-2 | | | | | | |
|--------|-----|-----------------|-----|--------|-------|--------------|--------|-----|-----------------|-----|--------|-------|--------------|
| Inches | mm | Sizing Plate OD | | Wt/Lbs | Wt/kg | Part Number | Inches | mm | Sizing Plate OD | | Wt/Lbs | Wt/kg | Part Number |
| | | Inches | mm | | | | | | Inches | mm | | | |
| 4 | 100 | 3-11/16 | 94 | 4 | 2 | 03-0004-0000 | 16 | 400 | 14-1/4 | 368 | 67 | 30 | 03-0052-000 |
| 6 | 150 | 5-5/8 | 143 | 11 | 5 | 03-0723-0000 | 18 | 450 | 16-1/8 | 410 | 80 | 36 | 03-0053-0000 |
| 8 | 200 | 7-3/8 | 187 | 23 | 10 | 03-0724-0000 | 20 | 500 | 18 | 457 | 112 | 51 | 03-0054-0000 |
| 10 | 250 | 9-1/4 | 235 | 39 | 18 | 03-0725-0000 | 22 | 550 | 19-3/4 | 502 | 117 | 53 | 03-0055-0000 |
| 12 | 300 | 11-1/8 | 283 | 55 | 25 | 03-0726-0000 | 24 | 600 | 21-3/4 | 552 | 143 | 65 | 03-0056-0000 |
| 14 | 350 | 12-1/4 | 311 | 62 | 28 | 03-0727-0000 | 26 | 650 | 23-1/2 | 597 | 162 | 74 | 03-0057-0000 |
| | | | | | | | 30 | 750 | 27-1/4 | 692 | 233 | 106 | 03-0058-0000 |
| | | | | | | | 34 | 850 | 31-1/2 | 800 | 305 | 138 | 03-0059-0000 |
| | | | | | | | 36 | 900 | 33-1/2 | 851 | 345 | 157 | 03-0110-0000 |

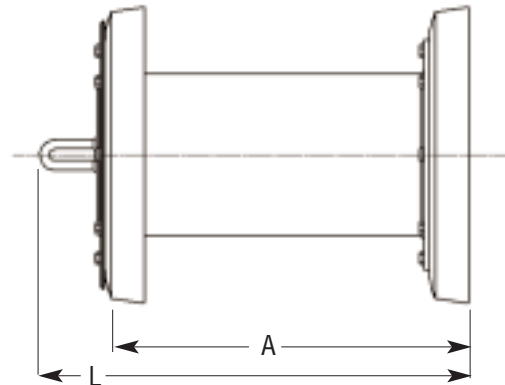
SG-2 Pig

4" through 14" (100-350 mm)



LG-2 Pig

16" through 36" (400-900 mm)



Dimensions

| SG-2 | | | | | | LG-2 | | | | | |
|--------|-----|---------|-----|--------|-----|--------|-----|----------|-----|---------|------|
| Size | | A | | L | | Size | | A | | L | |
| Inches | mm | Inches | mm | Inches | mm | Inches | mm | Inches | mm | Inches | mm |
| 4 | 100 | 4-1/2 | 114 | 7-5/8 | 194 | 16 | 400 | 17-7/8 | 454 | 21-5/8 | 549 |
| 6 | 150 | 8-1/4 | 210 | 11-3/8 | 289 | 18 | 450 | 19-3/4 | 502 | 23-9/16 | 598 |
| 8 | 200 | 9-1/4 | 235 | 12-7/8 | 327 | 20 | 500 | 23 | 584 | 27 | 686 |
| 10 | 250 | 12-7/8 | 327 | 18-7/8 | 479 | 22 | 550 | 22-13/16 | 579 | 26-7/8 | 683 |
| 12 | 300 | 17-1/16 | 433 | 22-7/8 | 581 | 24 | 600 | 26-11/16 | 678 | 30-7/8 | 784 |
| 14 | 350 | 17-3/16 | 437 | 22-7/8 | 581 | 26 | 650 | 26-3/4 | 679 | 31 | 787 |
| | | | | | | 30 | 750 | 30-3/16 | 767 | 35-1/8 | 892 |
| | | | | | | 34 | 850 | 33-5/8 | 854 | 38-5/8 | 981 |
| | | | | | | 36 | 900 | 36-1/2 | 927 | 41-9/16 | 1056 |