



SBN-4A and LBN-4A Pigs

Sizes: 2" through 48"



T. D. Williamson, Inc.

Bulletin No: **3000.007.00**

Date: February 1999

Cross Indexing No: n/a

Supersedes: 210.0 (1/1/80)



■ **SBN-4A Batching/Displacement Pig**
8" through 14" (200 mm - 350 mm)

Description

The SBN-4A Pigs (sizes 2" - 14") and LBN-4A Pigs (sizes 16" and larger) are designed for batching and displacement applications. These pigs are equipped with urethane cups but may be furnished with an alternate material such as nitrile or neoprene. The cups are economical to replace and provide an excellent seal.

All pigs are equipped with four cups and are easily rebuildable in the field. The pig body components are manufactured from steel for rugged field usage. All SBN-4A Pigs are equipped with urethane bumpers to prevent metal contact and to ease handling. The LBN-4A pigs are equipped with rigid steel sling links to ease the handling process.

Features

All TDW SBN-4A and LBN-4A Pigs are made from the highest quality materials and manufactured to rigid standards. The urethane cups provided are formulated from our B.T.T.B.[™] formulation, which provides superior abrasion resistance and is compatible with hydrocarbons. The new polyurethane means more miles and more runs at less cost.

All pigs are equipped with four cups for extended life while providing an excellent seal. All cups are field replaceable thereby reducing the overall operating pigging cost.

Options

T.D. Williamson, Inc., is committed to providing you with the exact product to assist you in meeting your individual needs.

TDW can provide:

- Neoprene or nitrile cup material for special applications
- SBN-4A Pigs may be supplied with heavy-duty cups to increase their effectiveness
- Special body materials such as stainless steel may be provided for unique applications
- Pig tracking transmitters may be installed or attached for tracking purposes
- Gauge plates may be installed



■ **LBN-4A Batching/Displacement Pig**

Toll Free

1-800-571-7447

1-888-TDWmSon (839-6766)



SBN-4A Batching Pigs

Dimensions

Size		Weight		A		B		L		Part Number
Inches	mm	Lbs	Kg.	Inches	mm	Inches	mm	Inches	mm	
2	50	1-1/4	.5	3	76	--	--	4-5/8	117	01-0236-0000
3	80	3	1	5-5/16	135	--	--	7-1/2	191	01-0238-0000
4	100	4	2	5-3/8	137	--	--	7-1/2	191	01-0239-0000
6	150	13	6	7-5/16	186	--	--	11-1/2	292	01-1053-0000
8	200	23	10	9-7/8	251	2-7/8	73	14-1/2	368	01-1054-0000
10	250	43	20	12-3/4	324	3-3/4	95	18-1/2	470	01-1055-0000
12	300	73	33	17-3/16	437	4-15/16	125	23	584	01-1056-0000
14	350	80	36	17-1/16	433	5-1/16	129	22-3/4	578	01-1057-0000

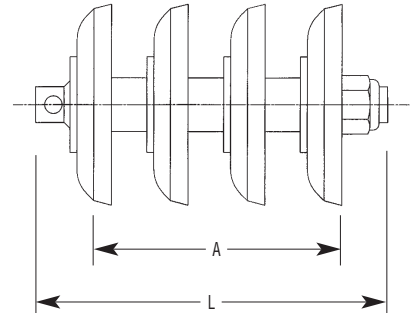
SBN-4A Pigs Will Traverse

Size		Minimum Bend Radius		Maximum Gate Valve Seat Ring Spacing		Maximum Check Valve Length of Bowl		Maximum Diameter Branch Opening	
Inches	mm	Inches	mm	Inches	mm	Inches	mm	Inches	mm
2	50	3	76	1-1/2	38	2-1/2	64	2	51
3	80	4-1/2	114	2	51	5	127	3	76
4	100	6	152	2	51	5-1/8	130	4	102
6	150	9	229	2-1/4	57	6-3/4	171	6	152
8	200	12	305	2-3/8	60	9-1/4	235	8	203
10	250	15	381	3-1/4	83	12	305	8	203
12	300	18	457	4-1/4	108	16	406	10	254
14	350	21	533	4-3/4	121	16-3/8	416	12	305

SBN-4A Batching Pigs

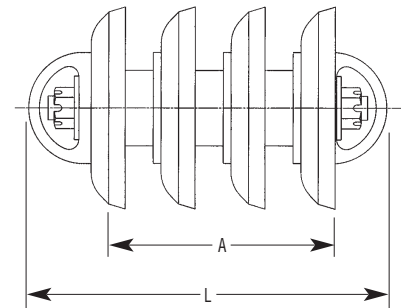
SBN-4A Batching Pig

2" through 4" (50 mm - 100 mm)



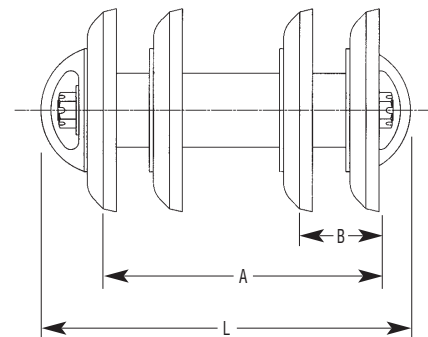
SBN-4A Batching Pig

6" (150 mm)



SBN-4A Batching Pig

8" through 14" (200 mm - 350 mm)

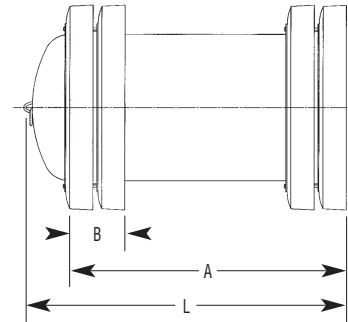




LBN-4A Batching Pigs

LBN-4A Batching Pig

16" through 48" (400 mm - 1200 mm)



Dimensions

Size		Weight		A		B		L		Part Number
Inches	mm	Lbs	Kg.	Inches	mm	Inches	mm	Inches	mm	
16	400	98	45	21-1/4	540	4	102	25-7/8	657	01-0112-0000
18	450	110	50	23	584	4-1/4	108	28-3/8	721	01-0113-0000
20	500	158	72	24-3/4	629	4-7/8	124	30-1/8	765	01-0114-0000
22	550	156	71	26-3/4	679	5-1/8	130	32	813	01-0115-0000
24	600	195	88	28-3/4	730	5-3/4	146	35-1/8	892	01-0116-0000
26	650	248	112	39	991	6	152	45-1/2	1156	01-0117-0000
30	750	311	141	42-1/2	1080	7-1/4	184	49	1245	01-0118-0000
34	850	569	258	43-5/8	1108	8-1/4	210	51-3/4	1314	01-0119-0000
36	900	603	274	44-1/2	1130	8-5/8	219	53-3/4	1365	01-0120-0000
40	1000	631	286	49-1/8	1248	9-7/8	251	59-3/8	1508	01-0974-0000
42	1050	757	343	51-3/8	1305	11-1/2	292	62-1/8	1578	01-0513-0000
48	1200	1105	501	65-1/4	1657	13	330	76	1930	01-0906-0000

LBN-4A Pigs Will Traverse

Size		Maximum Bend Radius		Maximum Gate Valve Seat Ring Spacing		Maximum Check Valve Length of Bowl	
Inches	mm	Inches	mm	Inches	mm	Inches	mm
16	400	24	610	4	102	17-1/4	438
18	450	27	686	4-1/4	108	22-1/8	562
20	500	30	762	4-7/8	124	23-3/4	603
22	550	33	838	5-1/8	130	25-1/2	648
24	600	36	914	5-5/8	143	27-1/2	698
26	650	39	990	6	152	37-11/16	958
30	750	45	1143	7-3/16	183	40-13/16	1036
34	850	51	1295	8-1/4	210	42	1067
36	900	54	1372	8-5/8	220	42-3/4	1086
40	1000	60	1324	9-1/2	241	44-5/8	1133
42	1050	63	1600	11	279	46-5/8	1184
48	1200	72	1829	12-1/2	318	59-7/8	1521

LBN-4A Pigs will traverse full-size branch openings.