



Spherical 3-WAY™ Tee

and SHORTPLUG™ with Guide Bars, Sizes 4- through 12-inch



T. D. Williamson, Inc.

Bulletin No: 2100.014.01

Date: October 2004

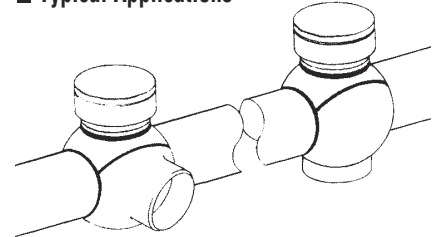
Cross Indexing No: n/a

Supersedes: June 2004

■ Spherical 3-WAY™ Tee and SHORTPLUG™ with Guide Bars Sizes 4" through 12"



■ Typical Applications



The bottom half of the Spherical 3-WAY™ Tee can be turned for either a side or bottom* outlet as illustrated. The tee also can be installed horizontally.

*Use of SHORTSTOPP® 275 Plugging Machines is not recommended in bottom outlet configuration.

Description

Full-encirclement, low-profile Spherical 3-WAY™ Tees and SHORTPLUG™ with Guide Bars is designed for use with the TDW SHORTSTOPP® Plugging Machine system.

The bore of the 4" through 12" (DN 100 - DN 300) tee is internally grooved to engage the leaves of standard SHORTPLUG with Guide Bars.

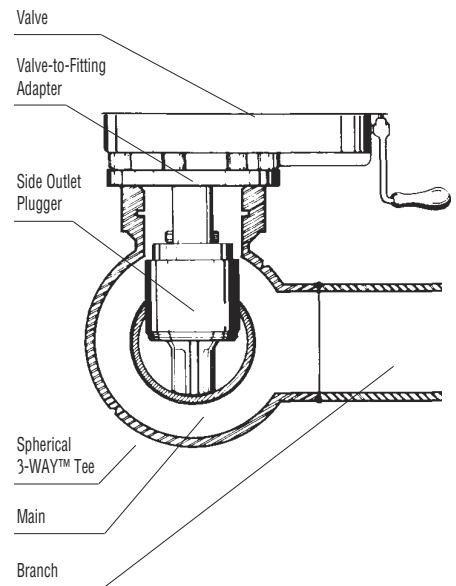
In the 4- through 12-inch sizes, reusable bolt-on flange adapters adapt the tee to TDW SHORTCUTT® and SHORTSTOPP® Valves.

Features

When used with SHORTSTOPP Plugging Machines, the maximum recommended working pressure and temperature should be limited to that of the plugging equipment, but not exceeding that of the fitting itself.

All fittings are compatible with most ASME Class 150 applications. With the plugging equipment removed, the maximum working pressure is 285 psi (20 bar) at 100°F (38°C) or 245 psi (17 bar) at 180°F (82°C) per ASME B31.4. See chart on page 2 for MAOP per ASME B31.8.

Spherical tee bodies 6- through 12-inch (150 mm through 304.8 mm) are fabricated, and the 4-inch size is made from steel casings.



The SHORTSTOPP® 275 system's Side Outlet Pluggger is used with Spherical 3-WAY™ Tees to plug the tapped hole in a main. It forms a pressure-tight seal that simultaneously allows flow to continue in the main while preventing it from escaping into the side outlet. This permits maintenance work on the branch line without interruption of flow in the main line.

ISO 9001 Certified

Toll Free

1-888-TDWmSon (839-6766)



Spherical 3-WAY™ Tee and SHORTPLUG™ Guide Bars



■ 4- through 12-inch

Valve-to-Fitting Adapters for 4- through 12-inch (DN 100 - DN 300) Spherical 3-WAY™ Tee

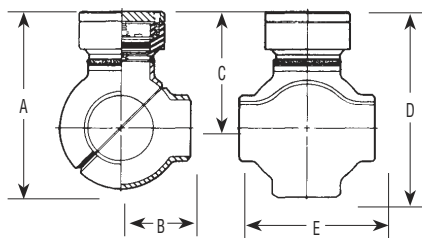
Size		Weight		Part Number
Inches	DN	Lbs.	Kg.	
4	100	10	5	06-5724-0001
6	150	13	6	06-5724-0002
8	200	25	11	06-5724-0003
10	250	40	19	06-5724-0010
12	300	55	25	06-5724-0011

Spherical 3-WAY™ Tee for Use with SHORTSTOPP® 60 and SHORTSTOPP® 275 Plugging Machines

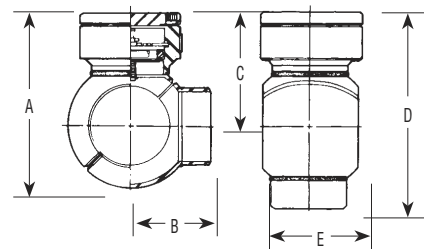
Maximum Allowable Operating Pressure in PSI, Per ASME B31.8 at -20 to +100° F

Size		Weight		Part Number	Design Factor				Spare O-rings	Spare Gaskets
Inch	DN	Lbs.	Kg.		0.72	0.6	0.5	0.4		
4	100	30	14	26-1535-0402-21	285	285	285	285	00-1250-0001	00-5238-0004-01
6	150	75	34	26-1535-0602-21	285	285	285	285	00-1250-0002	00-5238-0006-01
8	200	105	48	26-1535-0802-21	285	285	285	285	00-1250-0003	00-5238-0008-01
10	250	190	86	26-1535-1002-21	285	285	285	285	00-1250-0004	00-5238-0010-01
12	300	265	120	26-1535-1202-21	285	285	285	285	00-1250-0005	00-5238-0012-01

Spherical 3-WAY™ Tee complete includes: cap or cover flange with gasket, cap screws and plastic capplugs, SHORTPLUG™ with Guide Bars and tee.



Size 4-inch (100 mm)



Sizes 6- (150 mm), 8- (200 mm), 10- (250 mm) and 12-inch (300 mm)

Dimensions

Size		A		B		C		D		E	
Inches	DN	Inches	mm	Inches	mm	Inches	mm	Inches	mm	Inches	mm
4	100	12-9/16	319	4-11/16	119	8-1/4	209	12-15/16	328	9	229
6	150	16-1/8	410	7-3/4	196	9-3/4	248	17-1/2	444	10-7/8	276
8	200	17-1/16	433	8-3/8	212	10-1/16	255	18-7/16	468	10-15/16	277
10	250	21-5/16	541	10-7/16	265	12-5/16	312	22-3/4	577	14-3/8	365
12	300	22-13/16	579	11-5/16	287	12-13/16	325	24-1/8	613	14-13/16	376



Spherical 3-WAY™ Tee and SHORTPLUG™ Guide Bars

4-inch Spool Adapter, 06-1165-0176-00 required
to set the SHORTPLUG™ with Guide Bars

Equipment	Housing	Required
SHORTSTOPP® 60	08-0100-0001	Yes
SHORTSTOPP® II	08-3347-0000	Yes
SHORTSTOPP® II	08-3352-0000	Yes
SHORTSTOPP® 275	06-1542-0000	Yes
SHORTSTOPP® 275	08-0941-0000	No
SHORTSTOPP® 275	08-1748-0000	No

6-inch Spool Adapter, 06-1165-0177-00 required
to set the SHORTPLUG™ with Guide Bars

Equipment	Housing	Required
SHORTSTOPP® 60	08-0971-0001	Yes
SHORTSTOPP® II	08-3348-0000	Yes
SHORTSTOPP® II	08-3353-0000	Yes
SHORTSTOPP® 275	06-1543-0000	Yes
SHORTSTOPP® 275	08-0942-0000	No

8-inch Spool Adapter, 06-1165-0178-00 required
to set the SHORTPLUG™ with Guide Bars

Equipment	Housing	Required
SHORTSTOPP® 60	08-0102-0001	Yes
SHORTSTOPP® II	08-3349-0000	Yes
SHORTSTOPP® II	08-3350-0000	No
SHORTSTOPP® 275	06-1544-0000	No
SHORTSTOPP® 275	08-0943-0000	No

12-inch Spool Adapter, 06-1165-0180-00 required
to set the 10-inch SHORTPLUG™ with Guide Bars

Equipment	Housing	Required
SHORTSTOPP® 60	08-0104-0001	No
SHORTSTOPP® II	08-3351-0000	No
SHORTSTOPP® 275	06-1546-0000	No
SHORTSTOPP® 275	08-0945-0000	No

12-inch Spool Adapter, 06-1165-0180-00 required
to set the SHORTPLUG™ with Guide Bars

Equipment	Housing	Required
SHORTSTOPP® 60	08-0104-0001	No
SHORTSTOPP® II	08-3351-0000	No
SHORTSTOPP® 275	06-1546-0000	No
SHORTSTOPP® 275	08-0945-0000	No



T. D. Williamson, Inc.

2100.014.01 Pg. 4