

D2000 Quick-actuating Closures

Sizes: 4- to 30-inch

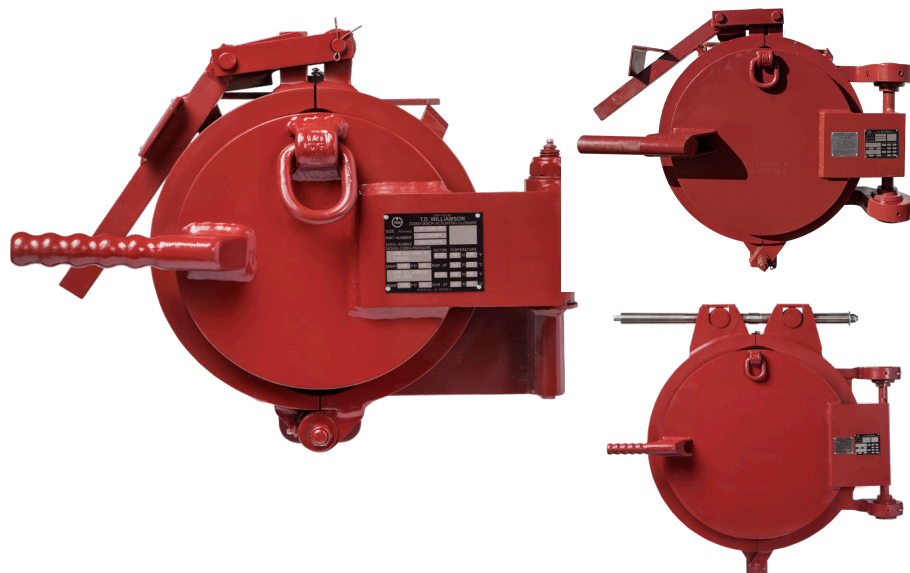


T.D. Williamson

Bulletin No: **5100.003.09**

Version: 11.201

Supersedes: 5100.003.08 (11.2020)



■ D2000 Quick-actuating Closures

Description

The T.D. Williamson quick-actuating closure is easily operated by one person. The closure is designed primarily for horizontal installation, meaning the door swings open on the horizontal axis. However, the closure may be installed on a vertical installation. In the latter case, a counterbalance can be provided to facilitate opening.

Features

The closure, available in sizes 4-inch to 48-inch, offers important advantages:

A reliable seal – The large, cross-sectional diameter O-ring located on the periphery of the closure's barrel collar provides positive sealing as well as protection from damage by tools, pigs or debris.

Pressure indicating device – The closure is equipped with a pressure warning lock, in accordance with UG-35 of ASME BPVC Sect. VIII, Div. 1, to alert the operator to the existence of internal pressure prior to opening the closure.

Safe, reliable operation – After being safely depressurized, the D2000 closure can be opened or closed in a single motion while the operator stands safely to the side.

The closure features a lever-type actuator on sizes 4- to 30-inches. Sizes 32-inches and larger have a door assist. 24- through 30-inch closures can also come with an optional side screw assist feature.

Options

T.D. Williamson is committed to providing you with the exact product to assist you in planning, budgeting and meeting the specifications for your individual application needs.

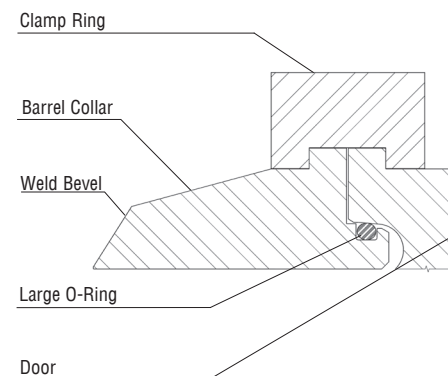
Expanded Mechanical Options:

- Flanged Closure
- Side screw assist optional for 24-inch to 30-inch Closures

Expanded Range of Applications:

- ASME B31.4/31.8 and CSA Z662 Category II, 0.5 and 0.6 design factors, ANSI Class 600
- Standard ASME BPVC Sec. VIII Div 1 U-Stamp on door
- NACE MR0175 compliant
- -50 to +250 F (-45.5 to 121 C)

Consult factory for optional items.



Dimensions and Part Numbers

4- through 8-inch ASME B31.4/B31.8/CSA Z662 Cat. II



T.D. Williamson

5100.003.09- p2

Size (inch)	Part Number	Matching Wall Thickness	Hinge Orientation	Design Pressure at DF = .6 (psi)	Design Pressure at DF = .5 (psi)	Options
4	12342253	.337in	RH	1480	1480	
4	12342254	.237in	RH	1480	1480	
4	12342255	.188in	RH	1480	1480	
4	12342259	.337in	LH	1480	1480	
4	12342260	.237in	LH	1480	1480	
4	12342261	.188in	LH	1480	1480	
4	12345158	600lb RF	RH	1480	1480	*
4	12345160	600lb RF	LH	1480	1480	*
6	12342233	.432in	RH	1480	1480	
6	12342234	.375in	RH	1480	1480	
6	12342235	.280in	RH	1480	1480	
6	12342236	.250in	RH	1480	1480	
6	12342237	.188in	RH	1480	1480	
6	12342243	.432in	LH	1480	1480	
6	12342244	.375in	LH	1480	1480	
6	12342245	.280in	LH	1480	1480	
6	12342246	.250in	LH	1480	1480	
6	12342247	.188in	LH	1480	1480	
6	12345162	600lb RF	RH	1480	1480	*
6	12345164	600lb RF	LH	1480	1480	*
8	12340503	.500in	RH	1480	1480	
8	12340913	.438in	RH	1480	1480	
8	12340914	.375in	RH	1480	1480	
8	12340915	.322in	RH	1480	1480	
8	12340916	.250in	RH	1480	1480	
8	12340917	.188in	RH	1480	1480	
8	12340946	.500in	LH	1480	1480	
8	12340947	.438in	LH	1480	1480	
8	12340948	.375in	LH	1480	1480	

NOTICE: See additional O-ring part number table on page 17 for common O-ring options (must be ordered separately). Other O-ring materials are also available on a special-order basis.

Dimensions and Weights

Size	Wt (Lbs)	H x W x L
4	60	8 x 12 x 16
6	75	8 x 14 x 18
8	120	8 x 16 x 20

* Flanged

Maximum test pressure is 1.5 times design pressure.

Dimensions and Part Numbers



T.D. Williamson

5100.003.09- p3

8- through 12-inch ASME B31.4/B31.8/CSA Z662 Cat. II

Size (inch)	Part Number	Matching Wall Thickness	Hinge Orientation	Design Pressure at DF = .6 (psi)	Design Pressure at DF = .5 (psi)	Options
8	12340949	.322in	LH	1480	1480	
8	12340950	.250in	LH	1480	1480	
8	12340951	.188in	LH	1480	1480	
8	12345166	600lb RF	RH	1480	1480	*
8	12345168	600lb RF	LH	1480	1480	*
10	12342265	.500in	RH	1480	1480	
10	12342266	.438in	RH	1480	1480	
10	12342267	.365in	RH	1480	1480	
10	12342268	.313in	RH	1480	1480	
10	12342269	.250in	RH	1480	1480	
10	12342270	.188in	RH	1480	1480	
10	12342277	.500in	LH	1480	1480	
10	12342278	.438in	LH	1480	1480	
10	12342279	.365in	LH	1480	1480	
10	12342280	.313in	LH	1480	1480	
10	12342281	.250in	LH	1480	1480	
10	12342282	.188in	LH	1480	1480	
10	12345170	600lb RF	RH	1480	1480	*
10	12345172	600lb RF	LH	1480	1480	*
12	12342290	.500in	RH	1480	1480	
12	12342291	.437in	RH	1480	1480	
12	12342292	.375in	RH	1480	1480	
12	12342293	.312in	RH	1480	1480	
12	12342294	.250in	RH	1480	1480	
12	12342300	.500in	LH	1480	1480	
12	12342301	.437in	LH	1480	1480	
12	12342302	.375in	LH	1480	1480	
12	12342303	.313in	LH	1480	1480	
12	12342304	.250in	LH	1480	1480	
12	12345174	600lb RF	RH	1480	1480	*
12	12345176	600lb RF	LH	1480	1480	*

Dimensions and Weights

Size	Wt (Lbs)	H x W x L
10	160	8 x 19 x 23
12	200	8 x 21 x 25

* Flanged

Maximum test pressure is 1.5 times design pressure.

Dimensions and Part Numbers



T.D. Williamson

5100.003.09 - p4

14- through 18-inch ASME B31.4/B31.8/CSA Z662 Cat. II

Size (inch)	Part Number	Matching Wall Thickness	Hinge Orientation	Design Pressure at DF = .6 (psi)	Design Pressure at DF = .5 (psi)	Options
14	12342310	.500in	RH	1480	1480	
14	12342311	.438in	RH	1480	1480	
14	12342312	.375in	RH	1480	1480	
14	12342313	.313in	RH	1480	1480	
14	12342314	.250in	RH	1480	1480	
14	12342320	.500in	LH	1480	1480	
14	12342321	.438in	LH	1480	1480	
14	12342322	.375in	LH	1480	1480	
14	12342323	.313in	LH	1480	1480	
14	12342324	.250in	LH	1480	1480	
14	12345178	600lb	RH	1480	1480	*
14	12345180	600lb	LH	1480	1480	*
16	12342330	.750in	RH	1480	1480	
16	12342331	.625in	RH	1480	1480	
16	12342332	.500in	RH	1480	1480	
16	12342333	.375in	RH	1480	1480	
16	12342338	.750in	LH	1480	1480	
16	12342339	.625in	LH	1480	1480	
16	12342340	.500in	LH	1480	1480	
16	12342341	.375in	LH	1480	1480	
16	12345182	600lb RF	RH	1480	1480	*
16	12345184	600lb RF	LH	1480	1480	*
18	12342346	.750in	RH	1480	1480	
18	12342347	.625in	RH	1480	1480	
18	12342348	.500in	RH	1480	1480	
18	12342349	.375in	RH	1480	1480	
18	12342350	.250in	RH	1480	1250	
18	12342356	.750in	LH	1480	1480	
18	12342357	.625in	LH	1480	1480	
18	12342358	.500in	LH	1480	1480	

Dimensions and Weights

Size	Weight (Lbs)	H x W x L
14	260	10 x 22 x 26
16	420	11 x 29 x 34
18	550	12 x 31 x 35

* Flanged

Maximum test pressure is 1.5 times design pressure.

Dimensions and Part Numbers



T.D. Williamson

5100.003.09 - p5

18- through 24-inch

ASME B31.4/B31.8/CSA Z662 Cat. II

Size (inch)	Part Number	Matching Wall Thickness	Hinge Orientation	Design Pressure at DF = .6 (psi)	Design Pressure at DF = .5 (psi)	Options
18	12342359	.375in	LH	1480	1480	
18	12342360	.250in	LH	1480	1250	
18	12345186	600lb RF	RH	1480	1480	*
18	12345188	600lb RF	LH	1480	1480	*
20	12342196	.750in	RH	1480	1480	
20	12342197	.594in	RH	1480	1480	
20	12342198	.500in	RH	1480	1480	
20	12342199	.375in	RH	1480	1480	
20	12342200	.250in	RH	1350	1125	
20	12342206	.750in	LH	1480	1480	
20	12342207	.594in	LH	1480	1480	
20	12342208	.500in	LH	1480	1480	
20	12342209	.375in	LH	1480	1480	
20	12342210	.250in	LH	1350	1125	
20	12345190	600lb RF	RH	1480	1480	*
20	12345192	600lb RF	LH	1480	1480	*
22	12341991	.875in	RH	1480	1480	
22	12341992	.750in	RH	1480	1480	
22	12341993	.625in	RH	1480	1480	
22	12341994	.500in	RH	1480	1480	
22	12341995	.375in	RH	1480	1480	
22	12342001	.875in	LH	1480	1480	
22	12342002	.750in	LH	1480	1480	
22	12342003	.625in	LH	1480	1480	
22	12342004	.500in	LH	1480	1480	
22	12342005	.375in	LH	1480	1480	
22	12345194	600lb RF	RH	1480	1480	*
22	12345196	600lb RF	LH	1480	1480	*
24	12340504	.875in	RH	1480	1480	**
24	12342012	.750in	RH	1480	1480	**

Dimensions and Weights

Size	Weight (Lbs)	H x W x L
20	700	12 x 33 x 37
22	825	13 x 35 x 38
24	955	13 x 38 x 43

* Flanged

** Optional Side Screw Actuation

Maximum test pressure is 1.5 times design pressure.

Dimensions and Part Numbers



T.D. Williamson

5100.003.09 -p6

24- through 26-inch

ASME B31.4/B31.8/CSA Z662 Cat. II

Size (inch)	Part Number	Matching Wall Thickness	Hinge Orientation	Design Pressure at DF = .6 (psi)	Design Pressure at DF = .5 (psi)	Options
24	12342013	.688in	RH	1480	1480	**
24	12342014	.625in	RH	1480	1480	**
24	12342015	.500in	RH	1480	1480	**
24	12342016	.375in	RH	1480	1405	**
24	12342023	.875in	LH	1480	1480	**
24	12342024	.750in	LH	1480	1480	**
24	12342025	.688in	LH	1480	1480	**
24	12342026	.625in	LH	1480	1480	**
24	12342027	.500in	LH	1480	1480	**
24	12342028	.375in	LH	1480	1405	**
24	12342035	.875in	RH	1480	1480	
24	12342036	.750in	RH	1480	1480	
24	12342037	.688in	RH	1480	1480	
24	12342038	.625in	RH	1480	1480	
24	12342039	.500in	RH	1480	1480	
24	12342040	.375in	RH	1480	1405	
24	12342047	.875in	LH	1480	1480	
24	12342048	.750in	LH	1480	1480	
24	12342049	.688in	LH	1480	1480	
24	12342050	.625in	LH	1480	1480	
24	12342051	.500in	LH	1480	1480	
24	12342052	.375in	LH	1480	1405	
24	12345198	600lb RF	RH	1480	1480	*/**
24	12345200	600lb RF	LH	1480	1480	*/**
24	12345202	600lb RF	RH	1480	1480	*
24	12345204	600lb RF	LH	1480	1480	*
26	12342071	.875in	RH	1480	1480	**
26	12342072	.750in	RH	1480	1480	**
26	12342073	.625in	RH	1480	1480	**
26	12342077	.875in	LH	1480	1480	**
26	12342078	.750in	LH	1480	1480	**
26	12342079	.625in	LH	1480	1480	**

Dimensions and Weights

Size	Weight (Lbs)	H x W x L
26	1400	15 x 44 x 45

* Flanged

** Optional Side Screw Actuation

Maximum test pressure is 1.5 times design pressure.

Dimensions and Part Numbers



T.D. Williamson

5100.003.09 - p7

26- through 28-inch

ASME B31.4/B31.8/CSA Z662 Cat. II

Size (inch)	Part Number	Matching Wall Thickness	Hinge Orientation	Design Pressure at DF = .6 (psi)	Design Pressure at DF = .5 (psi)	Options
26	12342084	.875in	RH	1480	1480	
26	12342085	.750in	RH	1480	1480	
26	12342086	.625in	RH	1480	1480	
26	12342090	.875in	LH	1480	1480	
26	12342091	.750in	LH	1480	1480	
26	12342092	.625in	LH	1480	1480	
26	12344573	.500in	RH	1480	1480	**
26	12344577	.500in	RH	1480	1480	
26	12345206	600lb RF	RH	1480	1480	*/**
26	12345208	600lb RF	LH	1480	1480	*/**
26	12345210	600lb RF	RH	1480	1480	*
26	12345212	600lb RF	LH	1480	1480	*
26	12344575	.500in	LH	1480	1480	**
26	12344579	.500in	LH	1480	1480	
28	12342096	1.00in	RH	1480	1480	**
28	12342097	.875in	RH	1480	1480	**
28	12342098	.750in	RH	1480	1480	**
28	12342099	.625in	RH	1480	1480	**
28	12342100	.500in	RH	1480	1480	**
28	12342101	.375in	RH	1445	1205	**
28	12342108	1.00in	LH	1480	1480	**
28	12342109	.875in	LH	1480	1480	**
28	12342110	.750in	LH	1480	1480	**
28	12342111	.625in	LH	1480	1480	**
28	12342112	.500in	LH	1480	1480	**
28	12342113	.375in	LH	1445	1205	**
28	12342120	1.00in	RH	1480	1480	
28	12342121	.875in	RH	1480	1480	
28	12342122	.750in	RH	1480	1480	
28	12342123	.625in	RH	1480	1480	
28	12342124	.500in	RH	1480	1480	

Dimensions and Weights

Size	Weight (Lbs)	H x W x L
28	1580	15 x 46 x 47

* Flanged

** Optional Side Screw Actuation

Maximum test pressure is 1.5 times design pressure.

Dimensions and Part Numbers



T.D. Williamson

5100.003.09 - p8

28- through 30-inch

ASME B31.4/B31.8/CSA Z662 Cat. II

Size (inch)	Part Number	Matching Wall Thickness	Hinge Orientation	Design Pressure at DF = .6 (psi)	Design Pressure at DF = .5 (psi)	Options
28	12342125	.375in	RH	1445	1205	
28	12342132	1.00in	LH	1480	1480	
28	12342134	.875in	LH	1480	1480	
28	12342135	.750in	LH	1480	1480	
28	12342136	.625in	LH	1480	1480	
28	12342137	.500in	LH	1480	1480	
28	12342138	.375in	LH	1445	1205	
28	12345214	600lb RF	RH	1480	1480	*/**
28	12345216	600lb RF	LH	1480	1480	*/**
28	12345218	600lb RF	RH	1480	1480	*
28	12345220	600lb RF	LH	1480	1480	*
30	12342147	1.00in	RH	1480	1480	
30	12342148	.875in	RH	1480	1480	
30	12342149	.750in	RH	1480	1480	
30	12342150	.625in	RH	1480	1480	
30	12342151	.500in	RH	1480	1480	
30	12342152	.375in	RH	1350	1125	
30	12342159	1.00in	LH	1480	1480	
30	12342160	.875in	LH	1480	1480	
30	12342161	.750in	LH	1480	1480	
30	12342162	.625in	LH	1480	1480	
30	12342163	.500in	LH	1480	1480	
30	12342164	.375in	LH	1350	1125	
30	12342171	1.00in	RH	1480	1480	**
30	12342172	.875in	RH	1480	1480	**
30	12342173	.750in	RH	1480	1480	**
30	12342174	.625in	RH	1480	1480	**
30	12342175	.500in	RH	1480	1480	**
30	12342176	.375in	RH	1350	1125	**
30	12342184	1.00in	LH	1480	1480	**
30	12342185	.875in	LH	1480	1480	**
30	12342186	.750in	LH	1480	1480	**

Dimensions and Weights

Size	Weight (Lbs)	H x W x L
30	1850	16 x 48 x 49

* Flanged

** Optional Side Screw Actuation

Maximum test pressure is 1.5 times design pressure.

Dimensions and Part Numbers



T.D. Williamson

5100.003.09 - p9

30-inch

ASME B31.4/B31.8/CSA Z662 Cat. II

Size (inch)	Part Number	Matching Wall Thickness	Hinge Orientation	Design Pressure at DF = .6 (psi)	Design Pressure at DF = .5 (psi)	Options
30	12342186	.750in	LH	1480	1480	**
30	12342187	.625in	LH	1480	1480	**
30	12342188	.500in	LH	1480	1480	**
30	12342189	.375in	LH	1350	1125	**
30	12345222	600lb RF	RH	1480	1480	*/**
30	12345224	600lb RF	LH	1480	1480	*/**
30	12345226	600lb RF	RH	1480	1480	*
30	12345228	600lb RF	LH	1480	1480	*

Dimensions and Weights

Size	Weight (Lbs)	H x W x L
30	1850	16 x 48 x 49

* Flanged

** Optional Side Screw Actuation

Maximum test pressure is 1.5 times design pressure.

Dimensions and Part Number

4- through 8-inch
 ASME B31.4/B31.8/CSA Z662 Cat. II
 ASME BPVC Sec. VIII Div. 1 U-Stamp (Head)



T.D. Williamson
 5100.003.09 - p10

Size (inches)	Part Number	Matching Wall Thickness	Hinge Orientation	Design Pressure at DF = .6 (psi)	Design Pressure at DF = .5 (psi)	Options
4	12342256	.337in	RH	1480	1480	
4	12342257	.237in	RH	1480	1480	
4	12342258	.188in	RH	1480	1480	
4	12345159	600lb RF	RH	1480	1480	*
4	12342262	.337in	LH	1480	1480	
4	12342263	.237in	LH	1480	1480	
4	12342264	.188in	LH	1480	1480	
4	12345161	600lb RF	LH	1480	1480	*
6	12342238	.432in	RH	1480	1480	
6	12342239	.375in	RH	1480	1480	
6	12342240	.280in	RH	1480	1480	
6	12342241	.250in	RH	1480	1480	
6	12342242	.188in	RH	1480	1480	
6	12345163	600lb RF	RH	1480	1480	*
6	12342248	.432in	LH	1480	1480	
6	12342249	.375in	LH	1480	1480	
6	12342250	.280in	LH	1480	1480	
6	12342251	.250in	LH	1480	1480	
6	12342252	.188in	LH	1480	1480	
6	12345165	600lb RF	LH	1480	1480	*
8	12340919	.500in	RH	1480	1480	
8	12340920	.438in	RH	1480	1480	
8	12340921	.375in	RH	1480	1480	
8	12340922	.322in	RH	1480	1480	
8	12340923	.250in	RH	1480	1480	
8	12340924	.188in	RH	1480	1480	
8	12345167	600lb RF	RH	1480	1480	*
8	12340952	.500in	LH	1480	1480	
8	12340953	.438in	LH	1480	1480	
8	12340954	.375in	LH	1480	1480	
8	12340955	.322in	LH	1480	1480	
8	12340956	.250in	LH	1480	1480	
8	12340957	.188in	LH	1480	1480	

Dimensions and Weights

Size	Wt (Lbs)	H x W x L
4	60	8 x 12 x 16
6	75	8 x 14 x 18
8	120	8 x 16 x 20

* Flanged
 Maximum test pressure is 1.5 times design pressure.

Dimensions and Part Numbers

8- through 14-inch
ASME B31.4/B31.8/CSA Z662 Cat. II
ASME BPVC Sec. VIII Div. 1 U-Stamp (Head)



T.D. Williamson
 5100.003.09 - p11

Size (inches)	Part Number	Matching Wall Thickness	Hinge Orientation	Design Pressure at DF = .6 (psi)	Design Pressure at DF = .5 (psi)	Options
8	12345169	600lb RF	LH	1480	1480	*
10	12342271	.500in	RH	1480	1480	
10	12342272	.438in	RH	1480	1480	
10	12342273	.365in	RH	1480	1480	
10	12342274	.313in	RH	1480	1480	
10	12342275	.250in	RH	1480	1480	
10	12342276	.188in	RH	1480	1480	
10	12345171	600lb RF	RH	1480	1480	*
10	12342283	.500in	LH	1480	1480	
10	12342284	.438in	LH	1480	1480	
10	12342285	.365in	LH	1480	1480	
10	12342286	.313in	LH	1480	1480	
10	12342287	.250in	LH	1480	1480	
10	12342288	.188in	LH	1480	1480	
10	12345173	600lb RF	LH	1480	1480	*
12	12342295	.500in	RH	1480	1480	
12	12342296	.437in	RH	1480	1480	
12	12342297	.375in	RH	1480	1480	
12	12342298	.312in	RH	1480	1480	
12	12342299	.250in	RH	1480	1480	
12	12345175	600lb RF	RH	1480	1480	*
12	12342305	.500in	LH	1480	1480	
12	12342306	.437in	LH	1480	1480	
12	12342307	.375in	LH	1480	1480	
12	12342308	.312in	LH	1480	1480	
12	12342309	.250in	LH	1480	1480	
12	12345177	600lb RF	LH	1480	1480	*
14	12342315	.500in	RH	1480	1480	
14	12342316	.438in	RH	1480	1480	
14	12342317	.375in	RH	1480	1480	
14	12342318	.313in	RH	1480	1480	
14	12342319	.250in	RH	1480	1480	
14	12345179	600lb RF	RH	1480	1480	*
14	12342325	.500in	LH	1480	1480	

Dimensions and Weights

Size	Wt (Lbs)	H x W x L
10	160	8 x 19 x 23
12	200	10 x 21 x 26
14	260	10 x 22 x 27

* Flanged

Maximum test pressure is 1.5 times design pressure.

Dimensions and Part Number

14- through 20-inch
 ASME B31.4/B31.8/CSA Z662 Cat. II
 ASME BPVC Sec. VIII Div. 1 U-Stamp (Head)



T.D. Williamson
 5100.003.09 -p12

Size (inches)	Part Number	Matching Wall Thickness	Hinge Orientation	Design Pressure at DF = .6 (psi)	Design Pressure at DF = .5 (psi)	Options
14	12342326	.438in	LH	1480	1480	
14	12342327	.375in	LH	1480	1480	
14	12342328	.313in	LH	1480	1480	
14	12342329	.250in	LH	1480	1480	
14	12345181	600lb RF	LH	1480	1480	*
16	12342334	.750in	RH	1480	1480	
16	12342335	.625in	RH	1480	1480	
16	12342336	.500in	RH	1480	1480	
16	12342337	.375in	RH	1480	1480	
16	12345183	600lb RF	RH	1480	1480	*
16	12342342	.750in	LH	1480	1480	
16	12342343	.625in	LH	1480	1480	
16	12342344	.500in	LH	1480	1480	
16	12342345	.375in	LH	1480	1480	
16	12345185	600lb RF	LH	1480	1480	*
18	12342351	.750in	RH	1480	1480	
18	12342352	.625in	RH	1480	1480	
18	12342353	.500in	RH	1480	1480	
18	12342354	.375in	RH	1480	1480	
18	12342355	.250in	RH	1480	1250	
18	12345187	600lb RF	RH	1480	1480	*
18	12342361	.750in	LH	1480	1480	
18	12342362	.625in	LH	1480	1480	
18	12342363	.500in	LH	1480	1480	
18	12342364	.375in	LH	1480	1480	
18	12342365	.250in	LH	1480	1250	
18	12345189	600lb RF	LH	1480	1480	*
20	12342201	.750in	RH	1480	1480	
20	12342202	.594in	RH	1480	1480	
20	12342203	.500in	RH	1480	1480	
20	12342204	.375in	RH	1480	1480	
20	12342205	.250in	RH	1350	1125	

Dimensions and Weights

Size	Weight (Lbs)	H x W x L
16	420	11 x 29 x 34
18	550	12 x 31 x 35
20	700	12 x 33 x 37

* Flanged
 Maximum test pressure is 1.5 times design pressure.

Dimensions and Part Numbers

20 through 24-inch
ASME B31.4/B31.8/CSA Z662 Cat. II
ASME BPVC Sec. VIII Div. 1 U-Stamp (Head)



T.D. Williamson
5100.003.09 - p13

Size (inches)	Part Number	Matching Wall Thickness	Hinge Orientation	Design Pressure at DF = .6 (psi)	Design Pressure at DF = .5 (psi)	Options
20	12345191	600lb RF	RH	1480	1480	*
20	12342211	.750in	LH	1480	1480	
20	12342212	.594in	LH	1480	1480	
20	12342213	.500in	LH	1480	1480	
20	12342214	.375in	LH	1480	1480	
20	12342215	.250in	LH	1350	1125	
20	12345193	600lb RF	LH	1480	1480	*
22	12341996	.875in	RH	1480	1480	
22	12341997	.750in	RH	1480	1480	
22	12341998	.625in	RH	1480	1480	
22	12341999	.500in	RH	1480	1480	
22	12342000	.375in	RH	1480	1480	
22	12345195	600lb RF	RH	1480	1480	*
22	12342006	.875in	LH	1480	1480	
22	12342007	.750in	LH	1480	1480	
22	12342008	.625in	LH	1480	1480	
22	12342009	.500in	LH	1480	1480	
22	12342010	.375in	LH	1480	1480	
22	12345197	600lb RF	LH	1480	1480	*
24	12342017	.875in	RH	1480	1480	**
24	12342018	.750in	RH	1480	1480	**
24	12342019	.688in	RH	1480	1480	**
24	12342020	.625in	RH	1480	1480	**
24	12342021	.500in	RH	1480	1480	**
24	12342022	.375in	RH	1480	1405	**
24	12342041	.875in	RH	1480	1480	
24	12342042	.750in	RH	1480	1480	
24	12342043	.688in	RH	1480	1480	
24	12342044	.625in	RH	1480	1480	
24	12342045	.500in	RH	1480	1480	
24	12342046	.375in	RH	1480	1405	
24	12345199	600lb RF	RH	1480	1480	*/**
24	12345203	600lb RF	RH	1480	1480	*
24	12342029	.875in	LH	1480	1480	**
24	12342030	.750in	LH	1480	1480	**

Dimensions and Weights

Size	Weight (Lbs)	H x W x L
22	825	13 x 35 x 38
24	955	13 x 38 x 43

* Flanged

** Optional Side Screw Actuation

Maximum test pressure is 1.5 times design pressure.

Dimensions and Part Number

24- through 28-inch
 ASME B31.4/B31.8/CSA Z662 Cat. II
 ASME BPVC Sec. VIII Div. 1 U-Stamp (Head)



T.D. Williamson

5100.003.09 -p14

Size (inches)	Part Number	Matching Wall Thickness	Hinge Orientation	Design Pressure at DF = .6 (psi)	Design Pressure at DF = .5 (psi)	Options
24	12342031	.688in	LH	1480	1480	**
24	12342032	.625in	LH	1480	1480	**
24	12342033	.500in	LH	1480	1480	**
24	12342034	.375in	LH	1480	1405	**
24	12342053	.875in	LH	1480	1480	
24	12342054	.750in	LH	1480	1480	
24	12342055	.688in	LH	1480	1480	
24	12342056	.625in	LH	1480	1480	
24	12342057	.500in	LH	1480	1480	
24	12342058	.375in	LH	1480	1405	
24	12345201	600lb	LH	1480	1480	*/**
24	12345205	600lb	LH	1480	1480	*
26	12342074	.875in	RH	1480	1480	**
26	12342075	.750in	RH	1480	1480	**
26	12342076	.625in	RH	1480	1480	**
26	12344574	.500in	RH	1480	1480	**
26	12342087	.875in	RH	1480	1480	
26	12342088	.750in	RH	1480	1480	
26	12342089	.625in	RH	1480	1480	
26	12344578	.500in	RH	1480	1480	
26	12345207	600lb RF	RH	1480	1480	*/**
26	12345211	600lb RF	RH	1480	1480	*
26	12342080	.875in	LH	1480	1480	**
26	12342081	.750in	LH	1480	1480	**
26	12342083	.625in	LH	1480	1480	**
26	12344576	.500in	LH	1480	1480	**
26	12342093	.875in	LH	1480	1480	
26	12342094	.750in	LH	1480	1480	
26	12342095	.625in	LH	1480	1480	
26	12344580	.500in	LH	1480	1480	
26	12345209	600lb RF	LH	1480	1480	*/**
26	12345213	600lb RF	LH	1480	1480	*
28	12342102	1.00in	RH	1480	1480	**
28	12342103	.875in	RH	1480	1480	**
28	12342104	.750in	RH	1480	1480	**
28	12342105	.625in	RH	1480	1480	**

Dimensions and Weights

Size	Weight (Lbs)	H x W x L
26	1400	15 x 44 x 45
28	1580	15 x 46 x 47

* Flanged

** Optional Side Screw Actuation

Maximum test pressure is 1.5 times design pressure.

North & South America: +1 918 447 5400 ■ Europe / Africa / Middle East: +32 67 28 3611 ■ Asia Pacific: +65 6364 8520 ■ www.tdwilliamson.com

Data subject to change without notice. / Dimensions not for construction unless certified. / © Registered trademark of T.D. Williamson in the United States and other countries. / TM Trademark of T.D. Williamson in the United States and other countries. / © 2020 T.D. Williamson

Dimensions and Part Numbers



T.D. Williamson

5100.003.09 -p15

28 through 30-inch
ASME B31.4/B31.8/CSA Z662 Cat. II
ASME BVPC Sec. VIII Div. 1 U-Stamp (Head)

Dimensions and Weights

Size	Weight (Lbs)	H x W x L
28	1580	15 x 46 x 47
30	1850	16 x 48 x 49

* Flanged

** Optional Side Screw Actuation

Maximum test pressure is 1.5 times design pressure.

Size (inches)	Part Number	Matching Wall Thickness	Hinge Orientation	Design Pressure at DF = .6 (psi)	Design Pressure at DF = .5 (psi)	Options
28	12342106	.500in	RH	1480	1480	**
28	12342107	.375in	RH	1445	1205	**
28	12342126	1.00in	RH	1480	1480	
28	12342127	.875in	RH	1480	1480	
28	12342128	.750in	RH	1480	1480	
28	12342129	.625in	RH	1480	1480	
28	12342130	.500in	RH	1480	1480	
28	12342131	.375in	RH	1445	1205	
28	12345215	600lb RF	RH	1480	1480	*/**
28	12345219	600lb RF	RH	1480	1480	*
28	12342114	1.00in	LH	1480	1480	**
28	12342115	.875in	LH	1480	1480	**
28	12342116	.750in	LH	1480	1480	**
28	12342117	.625in	LH	1480	1480	**
28	12342118	.500in	LH	1480	1480	**
28	12342119	.375in	LH	1445	1205	**
28	12342139	1.00in	LH	1480	1480	
28	12342140	.875in	LH	1480	1480	
28	12342142	.750in	LH	1480	1480	
28	12342143	.625in	LH	1480	1480	
28	12342145	.500in	LH	1480	1480	
28	12342146	.375in	LH	1445	1205	
28	12345217	600lb RF	LH	1480	1480	*/**
28	12345221	600lb RF	LH	1480	1480	*
30	12342153	1.00in	RH	1480	1480	
30	12342154	.875in	RH	1480	1480	
30	12342155	.750in	RH	1480	1480	
30	12342156	.625in	RH	1480	1480	
30	12342157	.500in	RH	1480	1480	
30	12342158	.375in	RH	1350	1125	
30	12342177	1.00in	RH	1480	1480	**
30	12342178	.875in	RH	1480	1480	**
30	12342179	.750in	RH	1480	1480	**
30	12342180	.625in	RH	1480	1480	**
30	12342181	.500in	RH	1480	1480	**

North & South America: +1 918 447 5400 ■ Europe / Africa / Middle East: +32 67 28 3611 ■ Asia Pacific: +65 6364 8520 ■ www.tdwilliamson.com

Data subject to change without notice. / Dimensions not for construction unless certified. / © Registered trademark of T.D. Williamson in the United States and other countries. / TM Trademark of T.D. Williamson in the United States and other countries. / © 2020 T.D. Williamson

Dimensions and Part Number

30-inch
ASME B31.4/B31.8/CSA Z662 Cat. II
ASME BPVC Sec. VIII Div. 1 U-Stamp (Head)



T.D. Williamson

5100.003.09 - p16

Dimensions and Weights

Size	Weight (Lbs)	H x W x L
30	1850	16 x 48 x 49

Size (inches)	Part Number	Matching Wall Thickness	Hinge Orientation	Design Pressure at DF = .6 (psi)	Design Pressure at DF = .5 (psi)	Options
30	12342182	.375in	RH	1350	1125	**
30	12345223	600lb RF	RH	1480	1480	*/**
30	12345227	600lb RF	RH	1480	1480	*
30	12342165	1.00in	LH	1480	1480	
30	12342166	.875in	LH	1480	1480	
30	12342167	.750in	LH	1480	1480	
30	12342168	.625in	LH	1480	1480	
30	12342169	.500in	LH	1480	1480	
30	12342170	.375in	LH	1350	1125	
30	12342190	1.00in	LH	1480	1480	**
30	12342191	.875in	LH	1480	1480	**
30	12342192	.750in	LH	1480	1480	**
30	12342193	.625in	LH	1480	1480	**
30	12342194	.500in	LH	1480	1480	**
30	12342195	.375in	LH	1350	1125	**
30	12345225	600lb RF	LH	1480	1480	*/**
30	12345229	600lb RF	LH	1480	1480	*

* Flanged

** Optional Side Screw Actuation

Maximum test pressure is 1.5 times design pressure.

Pressure Warning Lock (PWL) Components for Standard D2000 Closures

Closure Size	PWL Screw	PWL Bushing	PWL O-ring (FKM)	Drive Screw	Lanyard
4"-14"	12338777	12339152	12338780	12338694	12339934
16"-30"	12339482	12339162	12339484	12338694	12339934

Pressure Warning Lock (PWL) Rebuild Kits for Standard D2000 Closures

Closure Size	Rebuild Kit *
4"-14"	12352702
16"-30"	12352703

*Includes (1) PWL Screw, (1) PWL Bushing, (1) PWL O-ring, (2) Drive Screws, (1) Lanyard

North & South America: +1 918 447 5400 ■ Europe / Africa / Middle East: +32 67 28 3611 ■ Asia Pacific: +65 6364 8520 ■ www.tdwilliamson.com

Data subject to change without notice. / Dimensions not for construction unless certified. / © Registered trademark of T.D. Williamson in the United States and other countries. / TM Trademark of T.D. Williamson in the United States and other countries. / © 2020 T.D. Williamson

Dimensions and Part Numbers



T.D. Williamson

5100.003.09 -p17

Main Seal O-Rings for Standard D2000 Quick-actuating Closures

Size (inches)	NITRILE	FKM	NITRILE Lo-Temp	FKM Lo-Temp
4	19-3700-0424-20	19-3700-0424-23	19-3700-0424-21	19-3700-0424-25
6	19-3700-0663-20	19-3700-0663-23	19-3700-0663-21	19-3700-0663-25
8	19-3700-0846-20	19-3700-0846-23	19-3700-0846-21	19-3700-0846-25
10	19-3700-1042-20	19-3700-1042-23	19-3700-1042-21	19-3700-1042-25
12	19-3700-1224-20	19-3700-1224-23	19-3700-1224-21	19-3700-1224-25
14	19-3700-1338-20	19-3700-1338-23	19-3700-1338-21	19-3700-1338-25
16	19-3700-1500-50	19-3700-1500-53	19-3700-1500-51	19-3700-1500-55
18	19-3700-1681-50	19-3700-1681-53	19-3700-1681-51	19-3700-1681-55
20	19-3700-1863-50	19-3700-1863-53	19-3700-1863-51	19-3700-1863-55
22	19-3700-2045-50	19-3700-2045-53	19-3700-2045-51	19-3700-2045-55
24	19-3700-2227-50	19-3700-2227-53	19-3700-2227-51	19-3700-2227-55
26	19-3700-2500-50	19-3700-2500-53	19-3700-2500-51	19-3700-2500-55
28	19-3700-2659-50	19-3700-2659-53	19-3700-2659-51	19-3700-2659-55
30	19-3700-2841-50	19-3700-2841-53	19-3700-2841-51	19-3700-2841-55

O-Ring Kits for Standard D2000 Quick-actuating Closures (includes 5 Main Seal O-Rings, 10 Standard PWL O-Rings)

Size (inches)	Main Seal O-Ring Material			
	Nitrile	Nitrile Lo-Temp	FKM	FKM Lo-Temp
4	12352633	12352634	12352646	12352647
6	12352661	12352674	12352687	12352648
8	12352662	12352675	12352688	12352649
10	12352663	12352676	12352689	12352650
12	12352664	12352677	12352690	12352651
14	12352665	12352678	12352691	12352652
16	12352666	12352679	12352692	12352653
18	12352667	12352680	12352693	12352654
20	12352668	12352681	12352694	12352655
22	12352669	12352682	12352695	12352656
24	12352670	12352683	12352696	12352657
26	12352671	12352684	12352697	12352658
28	12352672	12352685	12352698	12352659
30	12352673	12352686	12352699	12352660

North & South America: +1 918 447 5400 ■ Europe / Africa / Middle East: +32 67 28 3611 ■ Asia Pacific: +65 6364 8520 ■ www.tdwilliamson.com

Data subject to change without notice. / Dimensions not for construction unless certified. / © Registered trademark of T.D. Williamson in the United States and other countries. / TM Trademark of T.D. Williamson in the United States and other countries. / © 2020 T.D. Williamson

Dimensions and Part Numbers



T.D. Williamson

5100.003.09 -p18