

3-WAY™ Full Encirclement Tapping Tee

ASME B31.3 / B31.4 / B31.8 / CSA Z662 CAT II

Sizes: 4- to 12-inch, .50 Design Factor, Class 600



T.D. Williamson

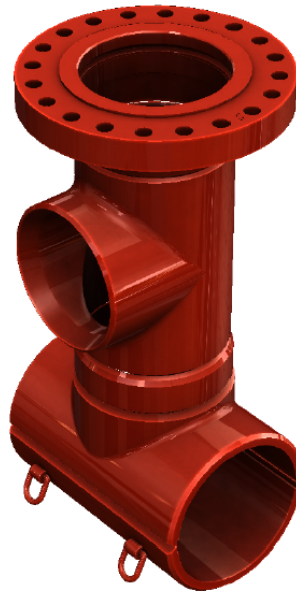
Bulletin No: 2100.026.00

Version: 03.2023

Supersedes:



■ LOCK-O-RING® 3-WAY™ Full Encirclement Tapping Tee



■ LOCK-O-RING® Plus 3-WAY™ Full Encirclement Tapping Tee

Description

The 3-WAY™ Full Encirclement Tapping Tees are full-branch or reducing-branch split tees designed for use when installing branch lines. They are equipped with LOCK-O-RING® and LOCK-O-RING® Plus flanges to accept LOCK-O-RING® and LOCK-O-RING® Plus completion plugs.

They meet ASME B31.3/B31.4/B31.8/CSA Z662 CAT II for use in piping, pipeline transportation, and gathering systems for liquid, gas hydrocarbons and other fluids, as well as refining locations.

3-WAY Full Encirclement Tapping Tees are furnished with LOCK-O-RING flanges, permitting removal of the SANDWICH® valve after work is completed.

Features

Design pressure is 1480 PSI (102 bar) at 0.50 design factor and design temperature at -50°F to 250°F (-46°C to 121°C). Pressure retaining materials are Charpy impact tested at -50°F (-46°C).

All welded sleeves are manufactured with a controlled maximum carbon equivalent of 0.43 to make welding easier in harsh environments. Back-up strips are standard and provided with all fittings.

LOCK-O-RING and LOCK-O-RING Plus flanges are compatible with Class 600 flanges (ASME B16.5 or ASME B16.47 Series A).

Split tees are welded per welding procedures qualified by ASME IX. All pressure containment welds are 100% volumetrically inspected.

3-WAY Full Encirclement Tapping Tees are designed, prototype tested, and manufactured under a robust quality control system to comply with the requirements of 49 CFR §192.503(e)(2) and 49 CFR §195.305(b)(2).

Options

Alternative elastomers are available upon request. Consult TDW for appropriate selection.

Rapid Delivery:
Tees and associated products are shipped rapidly to meet customer needs. System kits include the tee, completion plug with guide bars, and the blind flange kit.

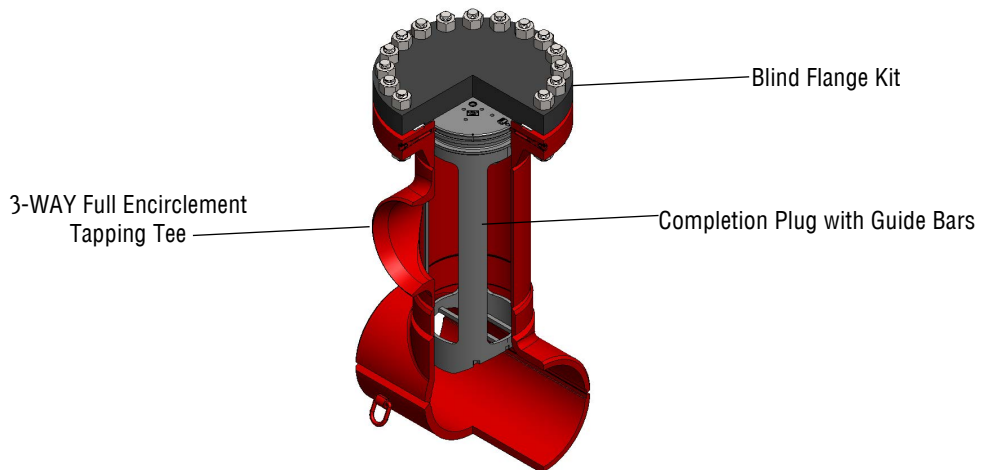
3-WAY Full Encirclement Tapping Tee - LOCK-O-RING

3-WAY Tee Class 600 - 0.50 Design Factor

Maximum Allowable Operating Pressure (in psi) per

Size		Weight*		ASME B31.4, ASME B31.8 and CSA Z662 CAT II at +250°F				ASME B31.3 at +250°F	Part Number	
INCHES	DN	Lbs.	Kg.	0.72	0.6	0.5	0.4		Fitting	System Kit
4x4x4	100x100x100	72	33	1480	1480	1480	1240	1120	12386888	12386992
6x4x4	150x100x100	101	46	1480	1480	1480	1240	1120	12386924	12387044
6x6x6	150x150x150	163	74	1480	1480	1480	1330	1300	12387255	12387777
8x4x4	200x100x100	124	57	1480	1480	1480	1240	1120	12386959	12387045
8x6x6	200x150x150	200	91	1480	1480	1480	1330	1300	12387481	12387778
8x8x8	200x200x200	270	123	1480	1480	1480	1420	1310	12387133	12387697
10x4x4	250x100x100	153	70	1480	1480	1480	1240	1120	12386973	12387046
10x6x6	250x150x150	245	112	1480	1480	1480	1330	1300	12387482	12387779
10x8x8	250x200x200	332	151	1480	1480	1480	1420	1310	12387135	12387698
10x10x10	250x250x250	460	209	1480	1480	1480	1200	1110	12387117	12387595
12x4x4	300x100x100	198	90	1480	1480	1480	1240	1120	12387000	12387047
12x6x6	300x150x150	284	129	1480	1480	1480	1330	1300	12387483	12387780
12x8x8	300x200x200	382	174	1480	1480	1480	1420	1310	12387136	12387699
12x10x10	300x250x250	547	249	1480	1480	1480	1200	1110	12387120	12387597
12x12x12	300x300x300	652	296	1480	1480	1480	1184	1070	12387082	12387297

*Listed weight is for fitting only. For System kit weight, please consult with your sales representative.



■ System Kit

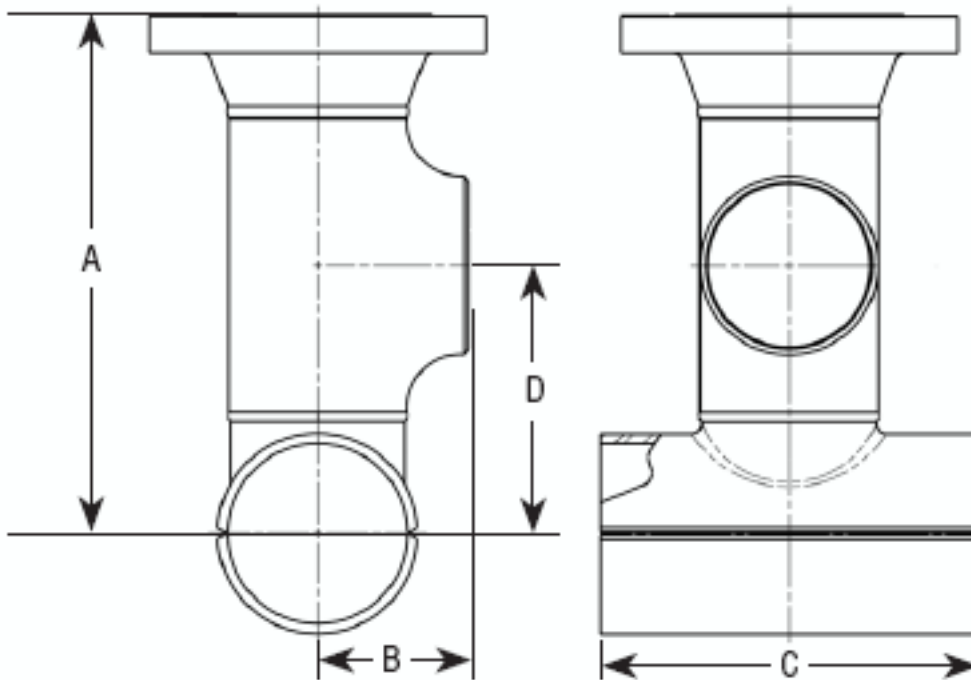
System kits include full encirclement fitting tee, completion plug with guide bars, and blind flange kit.

3-WAY Full Encirclement Tapping Tee - LOCK-O-RING

3-WAY Tee Class 600 - 0.50 Design Factor

Dimensions

Size		A		B		C		D	
INCHES	DN	Inches	mm	Inches	mm	Inches	mm	Inches	mm
4x4x4	100x100x100	15.739	399.8	4.125	104.8	10.75	273.1	7.268	184.6
6x4x4	150x100x100	19.362	491.8	4.125	104.8	10.75	273.1	10.892	276.7
6x6x6	150x150x150	20.454	519.5	5.375	136.5	14	355.6	10.111	256.8
8x4x4	200x100x100	20.503	520.8	4.125	104.8	10.75	273.1	12.032	305.6
8x6x6	200x150x150	24.032	610.4	5.375	136.5	14	355.6	13.689	347.7
8x8x8	200x200x200	24.939	633.5	6.75	171.5	16.5	419.1	12.595	319.9
10x4x4	250x100x100	21.753	552.5	4.125	104.8	10.75	273.1	13.283	337.4
10x6x6	250x150x150	25.251	641.4	5.375	136.5	14	355.6	14.908	378.7
10x8x8	250x200x200	29.252	743	6.75	171.5	16.5	419.1	16.908	429.5
10x10x10	250x250x250	30.127	765.2	8.25	209.6	20	508	15.533	394.5
12x4x4	300x100x100	22.987	583.9	4.125	104.8	10.75	273.1	14.516	368.7
12x6x6	300x150x150	26.484	672.7	5.375	136.5	14	355.6	16.141	410
12x8x8	300x200x200	30.517	775.1	6.75	171.5	16.5	419.1	18.173	461.6
12x10x10	300x250x250	34.705	881.5	8.25	209.6	20	508	20.111	510.8
12x12x12	300x300x300	37.704	957.7	9.5	241.3	22	558.8	21.861	555.3



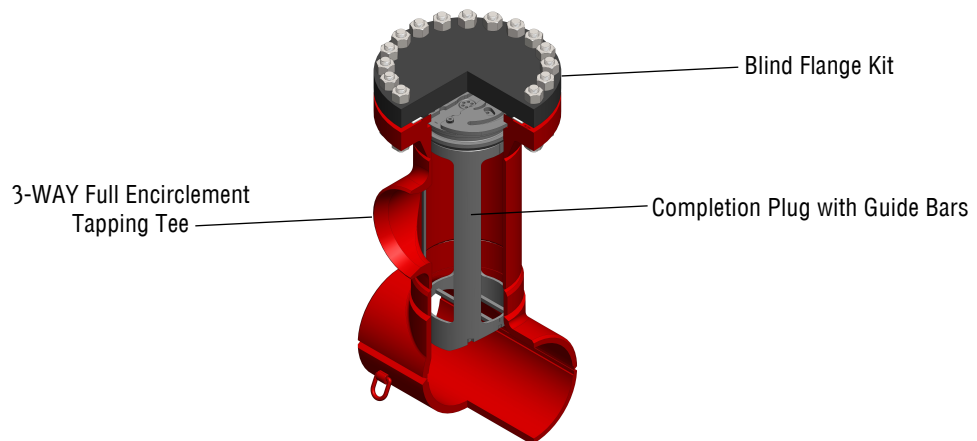
3-WAY Full Encirclement Tapping Tee - LOCK-O-RING Plus

3-WAY Tee Class 600 - 0.50 Design Factor

Maximum Allowable Operating Pressure (in psi) per

Size		Weight*		ASME B31.4, ASME B31.8 and CSA Z662 CAT II at +250°F				ASME B31.3 at +250°F	Part Number	
INCHES	DN	Lbs.	Kg.	0.72	0.6	0.5	0.4		Fitting	System Kit
4x4x4	100x100x100	64	33	1480	1480	1480	1240	1120	12386890	12386994
6x4x4	150x100x100	93	46	1480	1480	1480	1240	1120	12386931	12387048
6x6x6	150x150x150	160	74	1480	1480	1480	1330	1300	12387491	12387782
8x4x4	200x100x100	116	57	1480	1480	1480	1240	1120	12386960	12387049
8x6x6	200x150x150	200	91	1480	1480	1480	1330	1300	12387492	12387784
8x8x8	200x200x200	270	123	1480	1480	1480	1420	1310	12387134	12387700
10x4x4	250x100x100	145	70	1480	1480	1480	1240	1120	12386974	12387050
10x6x6	250x150x150	240	112	1480	1480	1480	1330	1300	12387493	12387785
10x8x8	250x200x200	330	151	1480	1480	1480	1420	1310	12387137	12387701
10x10x10	250x250x250	450	209	1480	1480	1480	1200	1110	12387118	12387596
12x4x4	300x100x100	190	90	1480	1480	1480	1240	1120	12387004	12387051
12x6x6	300x150x150	285	129	1480	1480	1480	1330	1300	12387494	12387786
12x8x8	300x200x200	380	174	1480	1480	1480	1420	1310	12387138	12387702
12x10x10	300x250x250	535	249	1480	1480	1480	1200	1110	12387121	12387598
12x12x12	300x300x300	740	296	1480	1480	1480	1184	1070	12387084	12387298

*Listed weight is for fitting only. For System kit weight, please consult with your sales representative.



■ System Kit

System kits include full encirclement fitting tee, completion plug with guide bars, and blind flange kit.

3-WAY Full Encirclement Tapping Tee - LOCK-O-RING Plus

3-WAY Tee Class 600 - 0.50 Design Factor

Dimensions

Size		A		B		C		D	
INCHES	DN	Inches	mm	Inches	mm	Inches	mm	Inches	mm
4x4x4	100x100x100	15.739	399.8	4.125	104.8	10.75	273.1	7.268	184.6
6x4x4	150x100x100	19.362	491.8	4.125	104.8	10.75	273.1	10.892	276.6
6x6x6	150x150x150	20.455	519.6	5.375	136.5	14	355.6	10.112	256.8
8x4x4	200x100x100	20.503	520.8	4.125	104.8	10.75	273.1	12.032	305.6
8x6x6	200x150x150	24.033	610.4	5.375	136.5	14	355.6	13.690	347.7
8x8x8	200x200x200	24.939	633.5	6.75	171.5	16.5	419.1	12.595	319.9
10x4x4	250x100x100	21.753	552.5	4.125	104.8	10.75	273.1	13.283	337.4
10x6x6	250x150x150	25.252	641.4	5.375	136.5	14	355.6	14.909	378.7
10x8x8	250x200x200	29.252	743	6.75	171.5	16.5	419.1	16.908	429.5
10x10x10	250x250x250	30.127	765.2	8.25	209.6	20	508	15.533	394.5
12x4x4	300x100x100	22.987	583.9	4.125	104.8	10.75	273.1	14.516	368.7
12x6x6	300x150x150	26.485	672.7	5.375	136.5	14	355.6	16.142	410
12x8x8	300x200x200	30.517	775.1	6.75	171.5	16.5	419.1	18.173	461.6
12x10x10	300x250x250	34.705	881.5	8.25	209.6	20	508	20.111	510.8
12x12x12	300x300x300	37.704	957.7	9.5	241.3	22	558.8	21.861	555.3

