

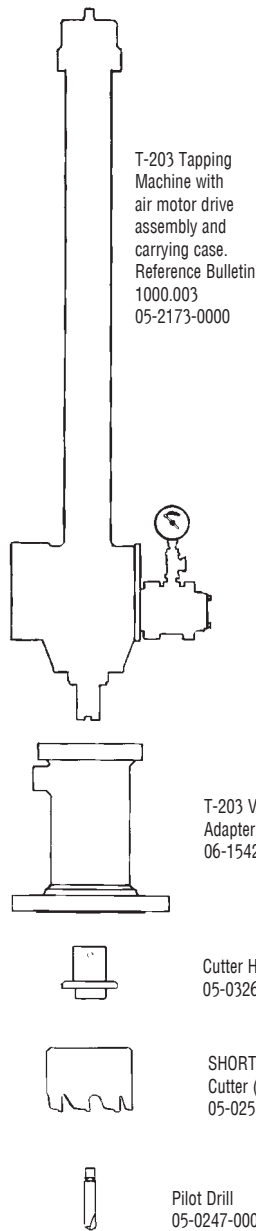
Tapping and ProStopp® DS

Equipment Needed to Plug a 4" Gas Main to 300 psi

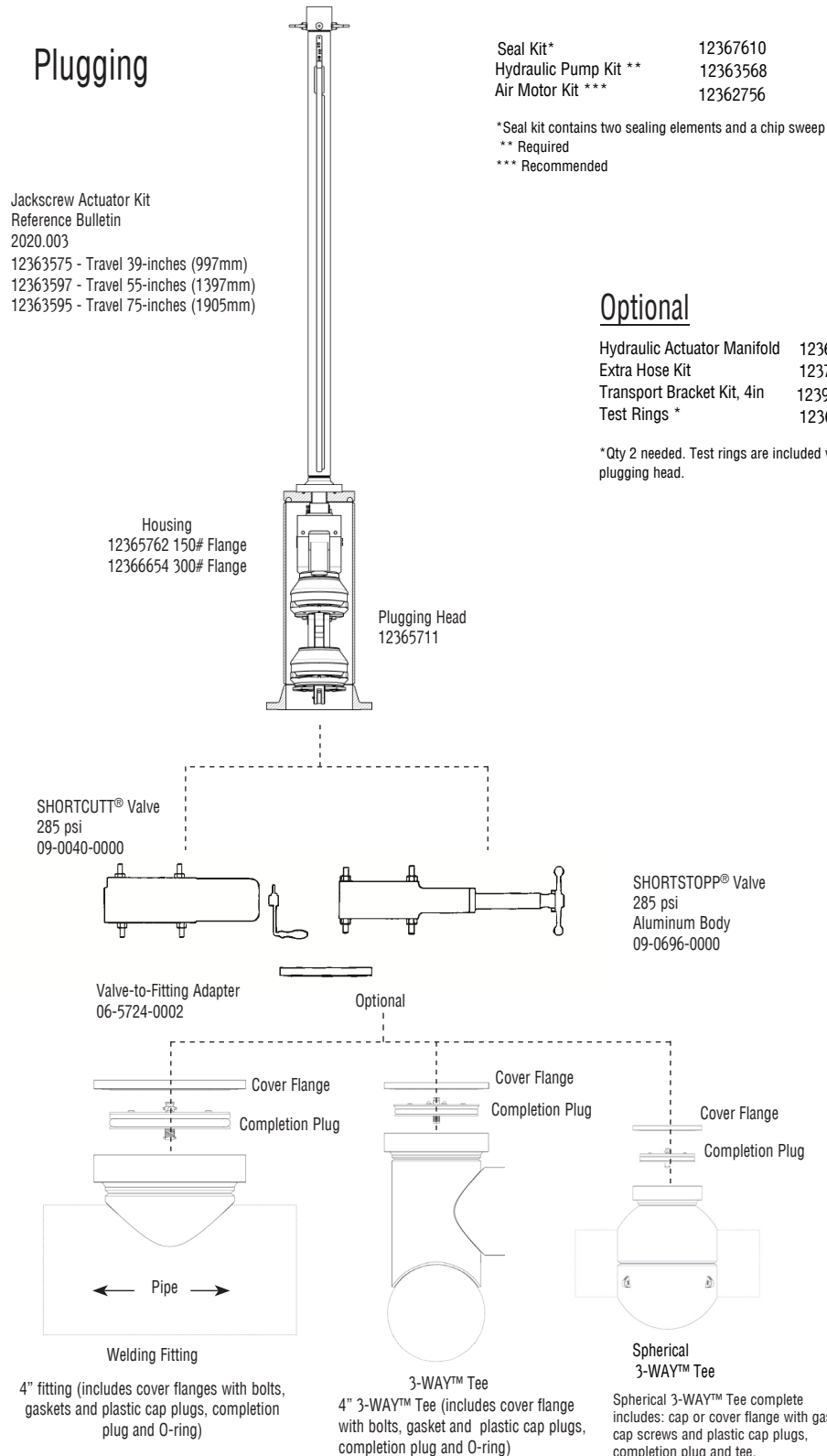


Technical Datasheet
Date: March 2024

Tapping



Plugging



Seal Kit*	12367610
Hydraulic Pump Kit **	12363568
Air Motor Kit ***	12362756

*Seal kit contains two sealing elements and a chip sweep
** Required
*** Recommended

Optional

Hydraulic Actuator Manifold	12361593
Extra Hose Kit	12378186
Transport Bracket Kit, 4in	12393708
Test Rings *	12369158

*Qty 2 needed. Test rings are included with purchase of plugging head.



ProStopp DS

4" Gas Main to 300 psi

- Welding Fitting and SHORTPLUG™ with Guide Bars
See Bulletin 2100.013
- Optional Fitting (includes cover flanges with bolts, gaskets and plastic caplugs, completion plug and O-ring)
- Welding Fitting
See Bulletin 2100.003
- Spherical 3-WAY™ Tee and SHORTPLUG™ with Guide Bars
See Bulletin 2100.014
- Optional Spherical 3-WAY™ Tee
- Spherical 3-WAY™ Tee
See Bulletin 2100.007
- 3-WAY™ Tee and SHORTPLUG™ with Guide Bars
See Bulletin 2100.012
- Optional 3-WAY™ Tee (includes cover flange with bolts, gasket and plastic caplugs, completion plug and O-ring)
- 3-WAY™ Tee
See Bulletin 2100.002
- Mechanical SHORTSLEEVE™ Fitting
See Bulletin 2110.001

Completion

SHORTSTOPP® Plugging/ Completion Machine
Reference Bulletin 2020.002
07-1034-0000

ProStopp DS
Minor Maintenance Kit * 12367608
Major Maintenance Kit 12367609

Kits include O-rings and Guide Ring
*Kit should be used simultaneously with sealing element change-out

- Adapter 06-7265-0000
- 4" Valve Adapter 06-1542-0000
- Spool Adapter 06-1165-0176
- Completion Plug Holder 07-0334-0000
- Adapter 06-7264-0000
- SHORTSTOPP® Plugging Housing 08-0941-0000
- Spool Adapter 06-1165-0176
- Completion Plug Holder 07-0334-0000

Note: Consult your TDW representative for additional fitting options.

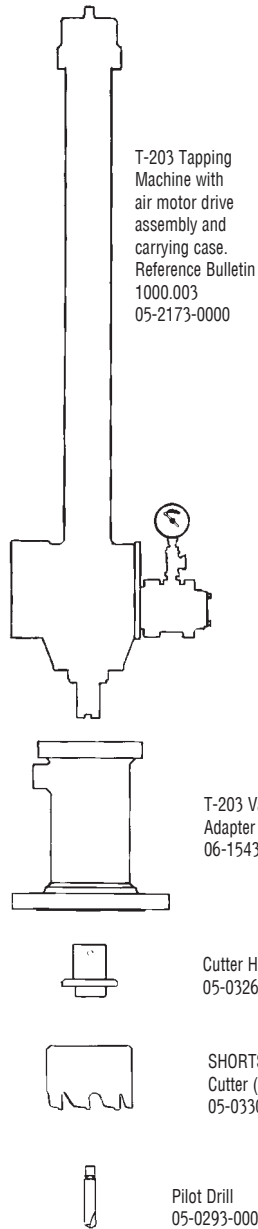
Tapping and ProStopp® DS

Equipment Needed to Plug a 6" Gas Main to 300 psi

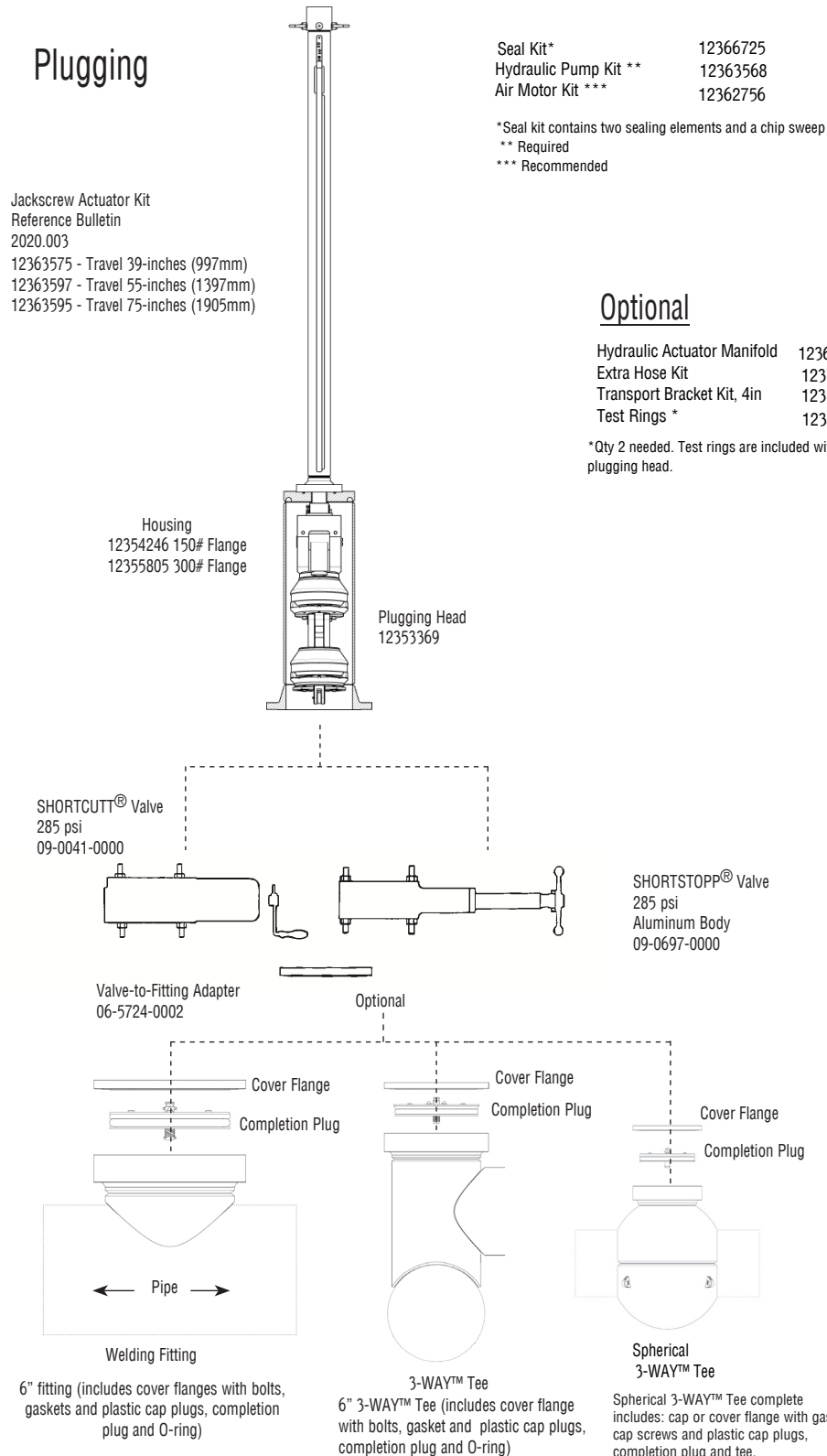


Technical Datasheet
Date: March 2024

Tapping



Plugging



Seal Kit*	12366725
Hydraulic Pump Kit **	12363568
Air Motor Kit ***	12362756

*Seal kit contains two sealing elements and a chip sweep
** Required
*** Recommended

Optional


Hydraulic Actuator Manifold	12361593
Extra Hose Kit	12378186
Transport Bracket Kit, 4in	12382856
Test Rings *	12369159


*Qty 2 needed. Test rings are included with purchase of plugging head.



ProStopp DS


6" Gas Main to 300 psi


- 

■ Welding Fitting
See Bulletin 2100.003
- 


Optional


■ Welding Fitting and SHORTPLUG™ with Guide Bars
See Bulletin 2100.013

Fitting (includes cover flanges with bolts, gaskets and plastic caplugs, completion plug and O-ring)
- 

■ Spherical 3-WAY™ Tee
See Bulletin 2100.007
- 


Optional

■ Spherical 3-WAY™ Tee and SHORTPLUG™ with Guide Bars
See Bulletin 2100.014
- 

■ 3-WAY™ Tee
See Bulletin 2100.002
- 

Optional

■ 3-WAY™ Tee and SHORTPLUG™ with Guide Bars
See Bulletin 2100.012


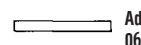
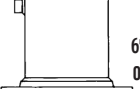

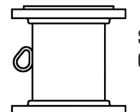
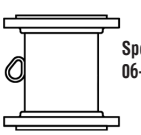
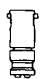
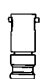
3-WAY™ Tee (includes cover flange with bolts, gasket and plastic caplugs, completion plug and O-ring)
- 

■ Mechanical SHORTSLEEVE™ Fitting
See Bulletin 2110.001

Completion

SHORTSTOPP® Plugging/ Completion Machine
Reference Bulletin 2020.002
07-1034-0000

	ProStopp DS	
	Minor Maintenance Kit *	12363500
	Major Maintenance Kit	12363499
	Kits include O-rings and Guide Ring	
	*Kit should be used simultaneously with sealing element change-out	

 <p>Adapter 06-7265-0000</p>	 <p>Adapter 06-7264-0000</p>
 <p>6" Valve Adapter 06-1543-0000</p>	 <p>SHORTSTOPP® Plugging Housing 08-0942-0000</p>
 <p>Spool Adapter 06-1165-0177</p>	 <p>Spool Adapter 06-1165-0177</p>
 <p>Completion Plug Holder 07-0334-0000</p>	 <p>Completion Plug Holder 07-0334-0000</p>

Note: Consult your TDW representative for additional fitting options.

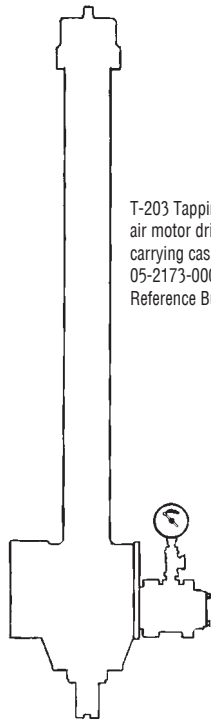


Tapping and ProStopp® DS

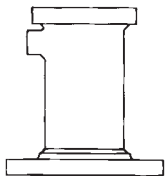
Equipment Needed to Plug an 8" Gas Main to 300 psi

Technical Datasheet
Date: March 2024

Tapping



T-203 Tapping Machine with air motor drive assembly and carrying case. Stock No. 05-2173-0000 Reference Bulletin 1000.003



8" Valve Adapter
06-1544-0000



Cutter Holder
05-0326-0000



8" SHORTSTOPP®
Cutter (nominal)
05-0330-0008



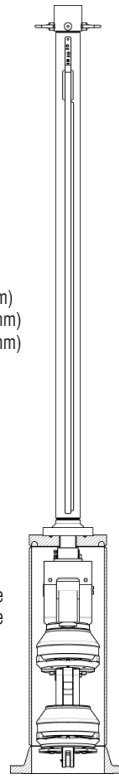
Pilot Drill
05-0293-0003

Plugging

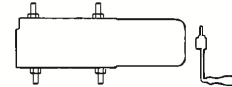
Jackscrew Actuator
Reference Bulletin
2020.003

12363575 - Travel 39-inches (997mm)
12363597 - Travel 55-inches (1397mm)
12363595 - Travel 75-inches (1905mm)

Housing
12355404 150# Flange
12355951 300# Flange



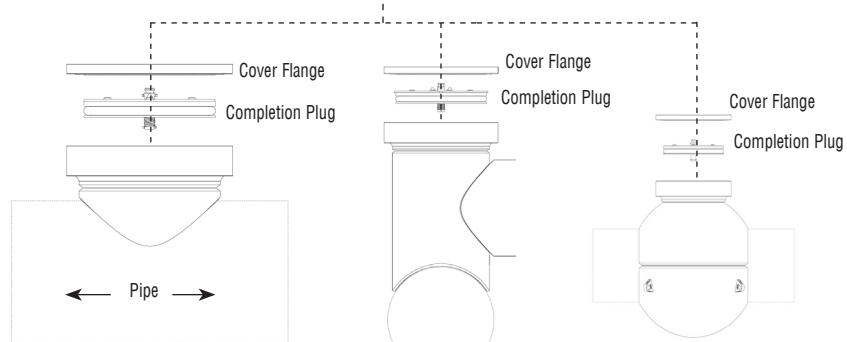
Plugging Head
12355257



SHORTCUTT® Valve
285 psi
09-0042-0000

Valve-to-Fitting Adapter
06-5724-0003

Optional



8" fitting (includes cover flanges with bolts, gaskets and plastic cap plugs, completion plug and O-ring)

3-WAY™ Tee
8" 3-WAY™ Tee (includes cover flange with bolts, gasket and plastic cap plugs, completion plug and O-ring)

Spherical 3-WAY™ Tee
Spherical 3-WAY™ Tee complete includes: cap or cover flange with gasket, cap screws and plastic cap plugs, completion plug and tee.

Seal Kit*	12366726
Hydraulic Pump Kit **	12363568
Air Motor Kit ***	12362756

* Seal kit contains two sealing elements and a chip sweep
** Required
*** Recommended

Optional

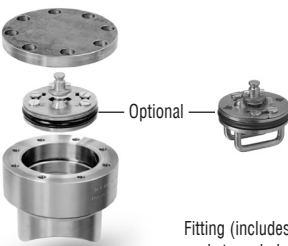
Hydraulic Actuator Manifold	12361593
Extra Hose Kit	12378186
Transport Bracket Kit, 8in	12382857
Test Rings *	12369160

* Qty 2 needed. Test rings are included with purchase of plugging head.



ProStopp DS

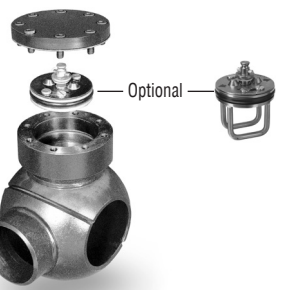
8" Gas Main to 300 psi

- 

Optional

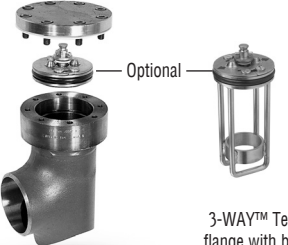
■ Welding Fitting and SHORTPLUG™ with Guide Bars
See Bulletin 2100.013

Fitting (includes cover flanges with bolts, gaskets and plastic caplugs, completion plug and O-ring)

■ Welding Fitting
See Bulletin 2100.003
- 

Optional


■ Spherical 3-WAY™ Tee and SHORTPLUG™ with Guide Bars
See Bulletin 2100.014

■ Spherical 3-WAY™ Tee
See Bulletin 2100.007
- 

Optional

■ 3-WAY™ Tee and SHORTPLUG™ with Guide Bars
See Bulletin 2100.012

3-WAY™ Tee (includes cover flange with bolts, gasket and plastic caplugs, completion plug and O-ring)

■ 3-WAY™ Tee
See Bulletin 2100.002
- 

■ Mechanical SHORTSLEEVE™ Fitting
See Bulletin 2110.001

Completion

SHORTSTOPP® Plugging/ Completion Machine
Reference Bulletin 2020.002
07-1034-0000

ProStopp DS
Minor Maintenance Kit * 12363502
Major Maintenance Kit 12363501

Kits include O-rings and Guide Ring
*Kit should be used simultaneously with sealing element change-out

- Adapter 06-7265-0000
- 8" Valve Adapter 06-1544-0000
- Spool Adapter 06-1165-0178*
- Completion Plug Holder 07-0334-0000
- 06-7264-0000 Adapter
- 8" Plugging Head Housing 08-0943-0000
- Completion Plug Holder 07-0334-0000

Note 1: * 8-inch Spool Adapter required to set 8-inch SHORTPLUG™ with Guide Bars in SHORTSTOPP Type II 3-Way™ Tee fittings using the 06-1544-0000 Adapter.

Note 2: Consult your TDW representative for additional fitting options.



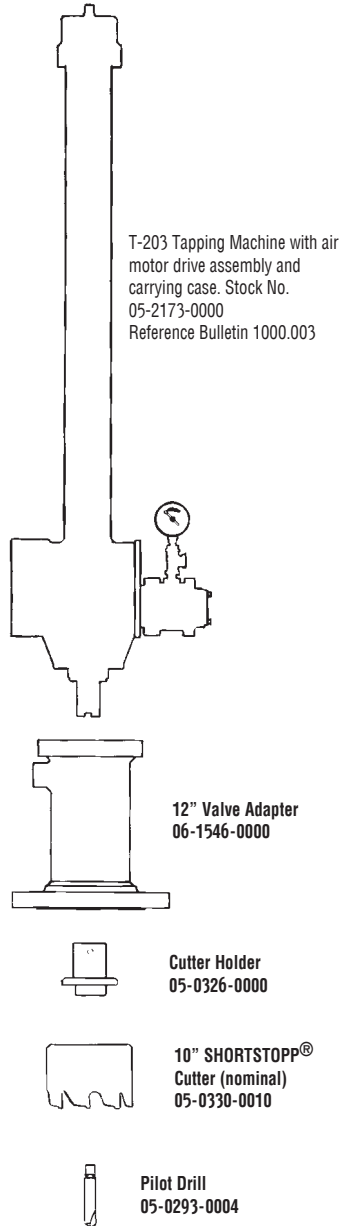
Technical Datasheet
Date: March 2024

Tapping and ProStopp® DS

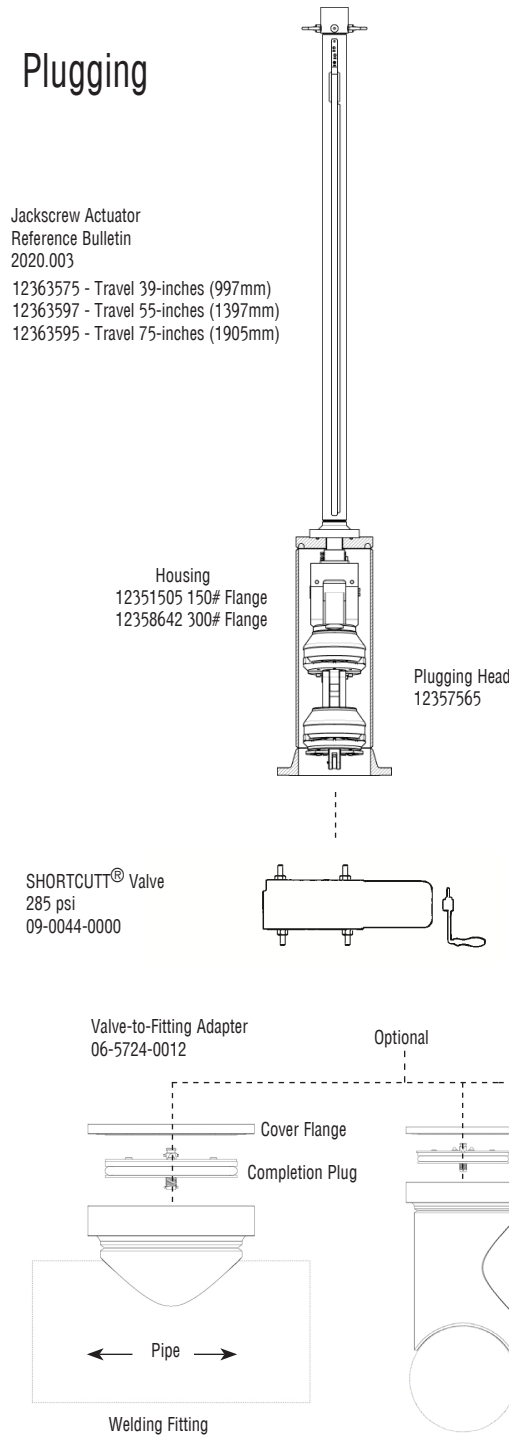
Equipment Needed to Plug a 10" Gas Main to 300 psi

*10" applications use 12" equipment

Tapping



Plugging



10" fitting (includes cover flanges with bolts, gaskets and plastic cap plugs, completion plug and O-ring)

10" 3-WAY™ Tee (includes cover flange with bolts, gasket and plastic cap plugs, completion plug and O-ring)

Spherical 3-WAY™ Tee complete includes: cap or cover flange with gasket, cap screws and plastic cap plugs, completion plug and tee.

Seal Kit*	12366727
Hydraulic Pump Kit **	12363568
Air Motor Kit ***	12362756

*Seal kit contains two sealing elements and a chip sweep
** Required
*** Recommended

Optional

Hydraulic Actuator Manifold	12361593
Extra Hose Kit	12378186
Transport Bracket Kit, 12in	12382858
Test Rings *	12369161

* Qty 2 needed. Test rings are included with purchase of plugging head.



ProStopp DS

10" Gas Main to 300 psi

Optional

- Welding Fitting and SHORTPLUG™ with Guide Bars
See Bulletin 2100.013

Fitting (includes cover flanges with bolts, gaskets and plastic caplugs, completion plug and O-ring)

- Welding Fitting
See Bulletin 2100.003

Optional

- Spherical 3-WAY™ Tee and SHORTPLUG™ with Guide Bars
See Bulletin 2100.014

- Spherical 3-WAY™ Tee
See Bulletin 2100.007

Optional

- 3-WAY™ Tee and SHORTPLUG™ with Guide Bars
See Bulletin 2100.012

3-WAY™ Tee (includes cover flange with bolts, gasket and plastic caplugs, completion plug and O-ring)

- 3-WAY™ Tee
See Bulletin 2100.002

- Mechanical SHORTSLEEVE™ Fitting
See Bulletin 2110.001

Completion

ProStopp DS

- Minor Maintenance Kit * 12363504
- Major Maintenance Kit 12363503

Kits include O-rings and Guide Ring
*Kit should be used simultaneously with sealing element change-out

SHORTSTOPP® Plugging/ Completion Machine
Reference Bulletin 2020.002
07-1034-0000

- Adapter 06-7265-0000
- 12" Valve Adapter 06-1546-0000
- Spool Adapter 06-1165-0180 *
- Completion Plug Holder 07-0335-0000
- Adapter 06-7264-0000
- 12" Plugging Head Housing 08-0945-0000
- Completion Plug Holder 07-0335-0000

Note 1: *12-inch Spool Adapter required to set 10-inch SHORTPLUG™ with Guide Bars in SHORTSTOPP Type II 3-Way™ Tee fittings using the 06-1546-0000 Adapter and 07-1586-0000 Completion Machine

Note 2: Consult your TDW representative for additional fitting options.

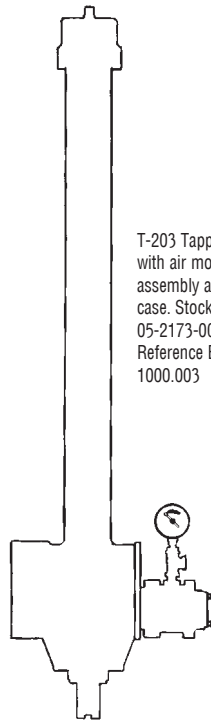


Tapping and ProStopp® DS

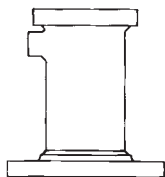
Equipment Needed to Plug a 12" Gas Main to 300 psi

Technical Datasheet
Date: March 2024

Tapping



T-203 Tapping Machine with air motor drive assembly and carrying case. Stock No. 05-2173-0000 Reference Bulletin 1000.003



12" Valve Adapter
06-1546-0000



Cutter Holder
05-0326-0000



12" SHORTSTOPP®
Cutter (nominal)
05-0330-0012



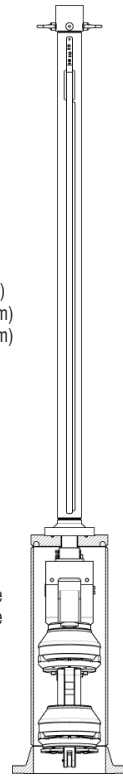
Pilot Drill
05-0293-0005

Plugging

Jackscrew Actuator
Reference Bulletin
2020.003

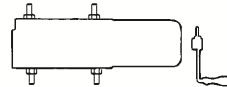
12363575 - Travel 39-inches (997mm)
12363597 - Travel 55-inches (1397mm)
12363595 - Travel 75-inches (1905mm)

Housing
12351505 150# Flange
12358642 300# Flange



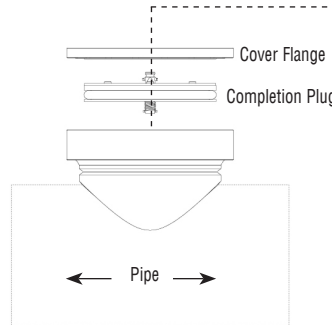
Plugging Head
12350480

SHORTCUTT® Valve
285 psi
09-0044-0000



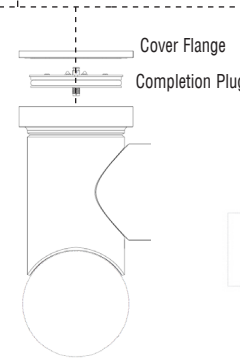
Valve-to-Fitting Adapter
06-5724-0011

Optional



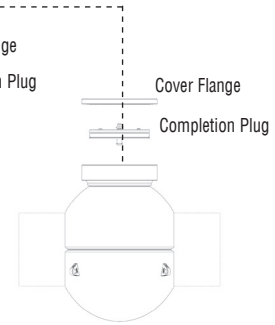
Welding Fitting

12" fitting (includes cover flanges with bolts, gaskets and plastic cap plugs, completion plug and O-ring)



3-WAY™ Tee

12" 3-WAY™ Tee (includes cover flange with bolts, gasket and plastic cap plugs, completion plug and O-ring)



Spherical 3-WAY™ Tee

Spherical 3-WAY™ Tee complete includes: cap or cover flange with gasket, cap screws and plastic cap plugs, completion plug and tee.

Seal Kit* 12366728
Hydraulic Pump Kit ** 12363568
Air Motor Kit *** 12362756

* Seal kit contains two sealing elements and a chip sweep
** Required
*** Recommended

Optional

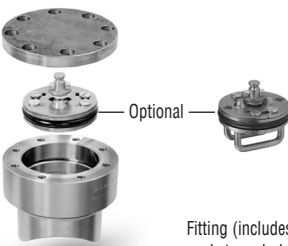
Hydraulic Actuator Manifold 12361593
Extra Hose Kit 12378186
Transport Bracket Kit, 12in 12382858
Test Rings * 12369162

* Qty 2 needed. Test rings are included with purchase of plugging head.




ProStopp DS

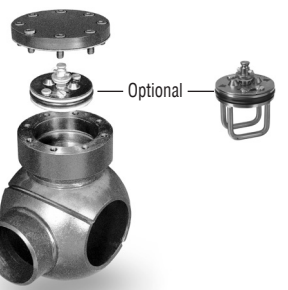
12" Gas Main to 300 psi

- 

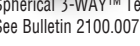
Optional

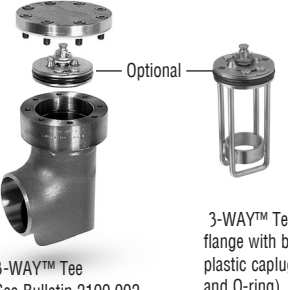
■ Welding Fitting and SHORTPLUG™ with Guide Bars
See Bulletin 2100.013

Fitting (includes cover flanges with bolts, gaskets and plastic caplugs, completion plug and O-ring)
- 

■ Welding Fitting
See Bulletin 2100.003
- 


Optional


■ Spherical 3-WAY™ Tee and SHORTPLUG™ with Guide Bars
See Bulletin 2100.014
- 

■ Spherical 3-WAY™ Tee
See Bulletin 2100.007
- 

Optional

■ 3-WAY™ Tee and SHORTPLUG™ with Guide Bars
See Bulletin 2100.012

3-WAY™ Tee (includes cover flange with bolts, gasket and plastic caplugs, completion plug and O-ring)
- 

■ 3-WAY™ Tee
See Bulletin 2100.002
- 

■ Mechanical SHORTSLEEVE™ Fitting
See Bulletin 2110.001

Completion

SHORTSTOPP® Plugging/Completion Machine
Reference Bulletin 2020.002
07-1034-0000

ProStopp DS

- Minor Maintenance Kit * 12363492
- Major Maintenance Kit 12363445

Kits include O-rings and Guide Ring
*Kit should be used simultaneously with sealing element change-out

- Adapter 06-7265-0000
- 12" Valve Adapter 06-1546-0000
- Spool Adapter 06-1165-0180*
- Completion Plug Holder 07-0335-0000
- Adapter 06-7264-0000
- 12" Plugging Head Housing 08-0945-0000
- Completion Plug Holder 07-0335-0000

Note 1: Consult your TDW representative for additional fitting options.

Note 2: *The 07-1586-0000 Completion Machine with 48" travel is required to set 12" SHORTPLUG™ with Guide Bars in SHORTSTOPP Type II 3-Way™ Tee fittings using the 06-1546-0000 Adapter.