



SHORTSTOPP® 3-WAY™ Tee and SHORTPLUG™ with Guide Bars

Sizes: 4- to 12-inch



T.D. Williamson

Bulletin No: 2100.012.03

Version: 01.2023

Supersedes: 2100.012.02 (12.2004)



- **Flanged 3-WAY™ Tee Fitting**
and SHORTPLUG™ with Guide Bars
Sizes: 4- to 12-inch

Description

TDW's 3-WAY™ Tees and SHORTPLUG™ with Guide Bars are designed for use with the TDW SHORTSTOPP® Plugging Machine Systems. It is used for main relocations, equipment tie-ins, lateral connections, line extensions and for making crossovers, all without shutdown.

The design of the 4- (DN 100) to 12-inch (DN 300) Type IIA 3-WAY Tee requires a reusable bolt-on flange adapter which adapts the tee to TDW SHORTCUTT® and SHORTSTOPP Valves.

SHORTSTOPP Welding Fittings and SHORTPLUGS with Guide bars are offered standard in the size-on-size configuration. Consult factory for applications other than size-on-size.

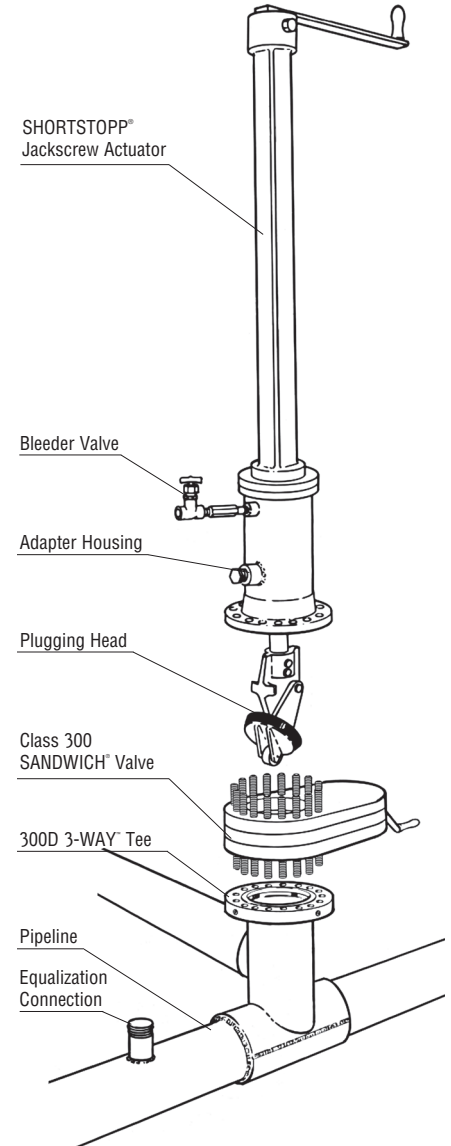
Features

When used with SHORTSTOPP Plugging Machines, the maximum recommended working pressure and temperature should be limited to that of the plugging equipment, but not exceeding that of the fitting itself.

All fittings are compatible with most ASME Class 150 applications. With the plugging equipment removed, the maximum working pressure is 285 psi (20 bar) at 100°F (38°C) or 245 psi (17 bar) at 180°F (82°C) per ASME B31.4. See chart on page 2 for MAOP per ASME B31.8.

Sizes 4- to 12-inch (DN 100 - 300) tees are either fabricated from ASTM A-106 Grade B or ASTM A-234 Grade WPB steel.

Typical Plugging Setup





SHORTSTOPP® 3-WAY™ Tee and SHORTPLUG™ with Guide Bars

3-WAY™ Tee for SHORTSTOPP® II, SHORTSTOPP® 275, and PROSTOPP DS™

The 3-WAY Tee 4- to 12-inch includes: cover flange with gasket, bolts and plastic caplugs, SHORTPLUG™ with Guide Bars, O-Ring and tee.

Maximum allowable operating pressure (in psi) per ASME B31.8 at -20 to +100° F

Size Inches	DN	Weight		Design Factor				Part Number
		Lbs.	Kg.	0.72	0.60	0.50	0.40	
4	100	40	18	285	285	285	285	26-1535-0402-31
6	150	60	27	285	285	285	285	26-1535-0602-31
8	200	105	48	285	285	285	285	26-1535-0802-31
10	250	175	79	285	285	285	225	26-1535-1002-31
12	300	240	109	285	265	220	175	26-1535-1202-31

Minimum Pipe Wall Thickness (Inches)

Size Inches	Header Pipe OD	Design Factor Min. Pipe Wall Thickness			
		.072	0.60	0.50	0.40
4	4.500	0.051	0.061	0.073	0.092
6	6.625	0.075	0.090	0.108	0.135
8	8.625	0.098	0.177	0.140	0.176
10	10.750	0.122	0.146	0.175	0.219
12	12.750	0.144	0.173	0.208	0.260

Note: The TDW fitting provides sufficient material thickness for itself and in many cases reinforcement for the branch opening in the pipe. However, the chart above specifies minimum wall thickness of the pipe for self reinforcement. (Based on 35,000 PSI SMYS)

Spare O-Rings & Gaskets

Size Inches	DN	Spare O-Rings Part Number	Spare Gaskets Part Number
6	150	00-1250-0002	00-5238-0006-01
8	200	00-1250-0003	00-5238-0008-01
10	250	00-1250-0004	00-5238-0010-01
12	300	00-1250-0005	00-5238-0012-01

SHORTSTOPP[®] 3-WAY[™] Tee and SHORTPLUG[™] with Guide Bars

Valve-to-Fitting Adapters for 4- to 12-inch

The 4- x 6-, 6- x 8- and 10- x 12-inch adapters are used to adapt the valve to the next size smaller fittings.

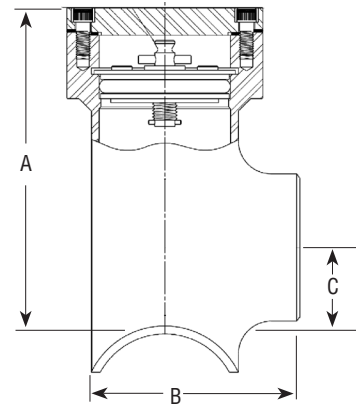
Inches	DN	Lbs.	Kg.	Part Number
4	100	10	5	06-5724-0001-00
6	150	13	6	06-5724-0002-00
8	200	25	11	06-5724-0003-00
10	250	40	18	06-5724-0010-00
12	300	55	25	06-5724-0011-00
4 x 6	100 x 150	18	8	06-5724-0007-00
6 x 8	150 x 200	28.5	13	06-5724-0004-00
10 x 12	250 x 300	70	32	06-5724-0012-00

Dimensions

Size	A		B		C	
	Inches	DN	Inches	mm	Inches	mm
4	9-13/16	100	6-3/4	171	2-9/16	65
6	13-5/16	150	8-13/16	224	3-9/16	91
8	14-13/16	200	10-3/4	273	3-7/8	98
10	19	250	14-7/8	378	6-3/8	162
12	21-1/2	300	17-3/8	441	7-3/8	187



■ Valve-to-Fitting Adapter



■ Sizes: 4- to 12-inch



SHORTSTOPP® 3-WAY™ Tee and SHORTPLUG™ with Guide Bars

4-inch Spool Adapter, 06-1165-0176-00 required

to set the SHORTPLUG™ with Guide Bars

Equipment	Housing	Required
SHORTSTOPP® II	08-3347-0000	Yes
SHORTSTOPP® II	08-3352-0000	Yes
SHORTSTOPP® 275	06-1542-0000	Yes
SHORTSTOPP® 275	08-0941-0000	Yes
SHORTSTOPP® 275	08-1748-0000	Yes

6-inch Spool Adapter, 06-1165-0177-00 required

to set the SHORTPLUG™ with Guide Bars

Equipment	Housing	Required
PROSTOPP DS™	08-0942-0000	Yes
SHORTSTOPP® II	08-3348-0000	Yes
SHORTSTOPP® II	08-3353-0000	Yes
SHORTSTOPP® 275	06-1543-0000	Yes
SHORTSTOPP® 275	08-0942-0000	Yes*

* To set the SHORTPLUG™ with Guides Bars with this housing, the 07-1586-0000 completion machine with 48-inch travel is required.

8-inch Spool Adapter, 06-1165-0178-00 required

to set the SHORTPLUG™ with Guide Bars

Equipment	Housing	Required
PROSTOPP DS™	08-0943-0000	Yes
SHORTSTOPP® II	08-3349-0000	Yes
SHORTSTOPP® II	08-3350-0000	Yes
SHORTSTOPP® 275	06-1544-0000	Yes
SHORTSTOPP® 275	08-0943-0000	No

12-inch Spool Adapter, 06-1165-0180-00 required

to set the 10-inch SHORTPLUG™ with Guide Bars

Equipment	Housing	Required
PROSTOPP DS™	08-0945-0000	Yes
SHORTSTOPP® II	08-3351-0000	Yes
SHORTSTOPP® 275	06-1546-0000	Yes*
SHORTSTOPP® 275	08-0945-0000	No

* To set the SHORTPLUG™ with Guides Bars with this housing, the 07-1586-0000 completion machine with 48-inch travel is required.

12-inch Spool Adapter, 06-1165-0180-00 required

to set the SHORTPLUG™ with Guide Bars

Equipment	Housing	Required
PROSTOPP DS™	08-0945-0000	Yes
SHORTSTOPP® II	08-3351-0000	Yes
SHORTSTOPP® 275	06-1546-0000	Yes*
SHORTSTOPP® 275	08-0945-0000	No

* To set the SHORTPLUG™ with Guide Bars with this housing, the 07-1586-0000 completion machine with 48-inch travel is required.